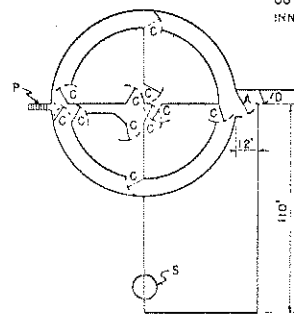
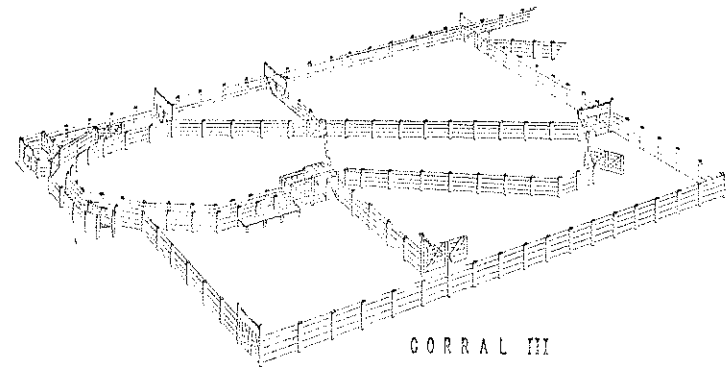
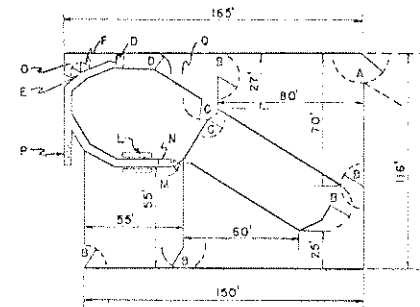


CORRAL II

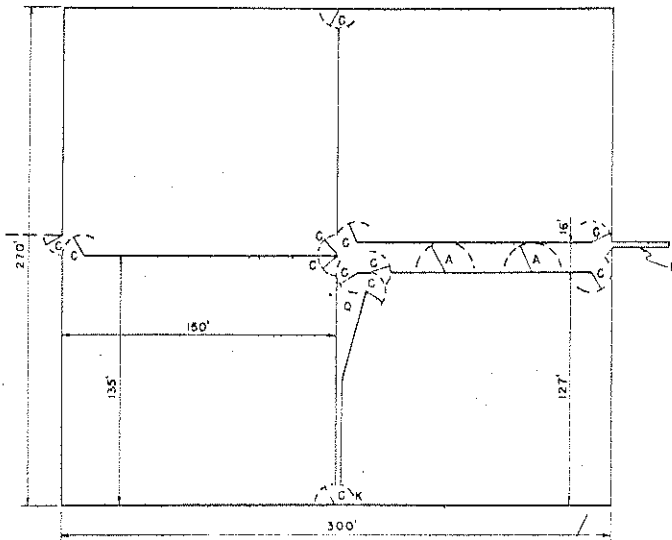


OUTER RING 100' DIA.
INNER RING 80' DIA.

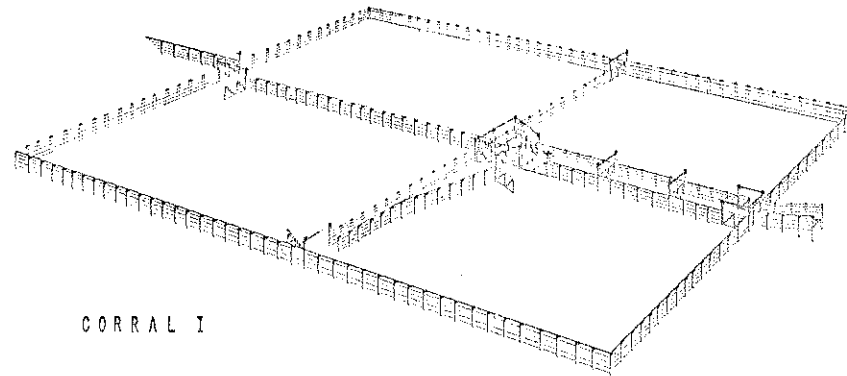


CORRAL III

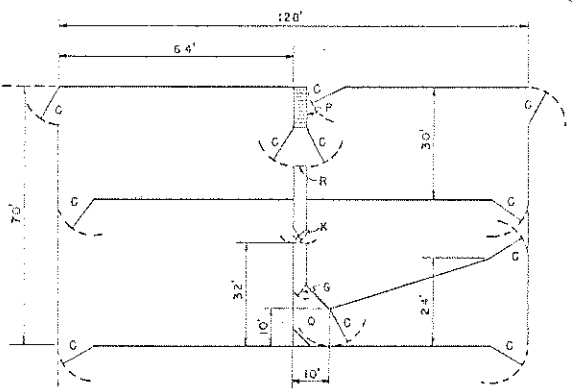
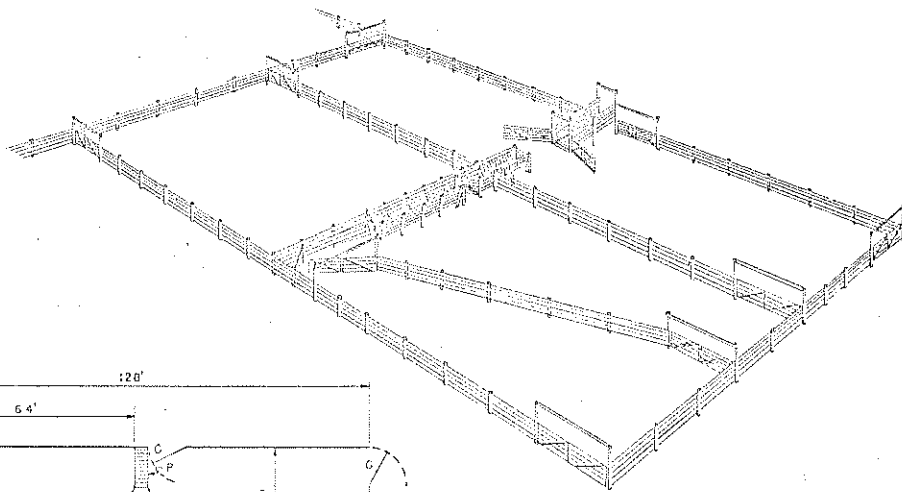
- A - 16' - 0" GATE
- B - 12' - 0" "
- C - 10' - 0" "
- D - 8' - 0" "
- E - 6' - 0" "
- F - 5' - 0" "
- G - 4' - 0" "
- K - CUTTING GATE
- L - PLATFORM
- M - FOUR-WAY SORTING GATES
- N - SQUEEZE
- O - SCALES
- P - LOADING CHUTE
- Q - CROWDING CHUTE
- R - HEAD GATE
- S - WATER TANK



CORRAL I

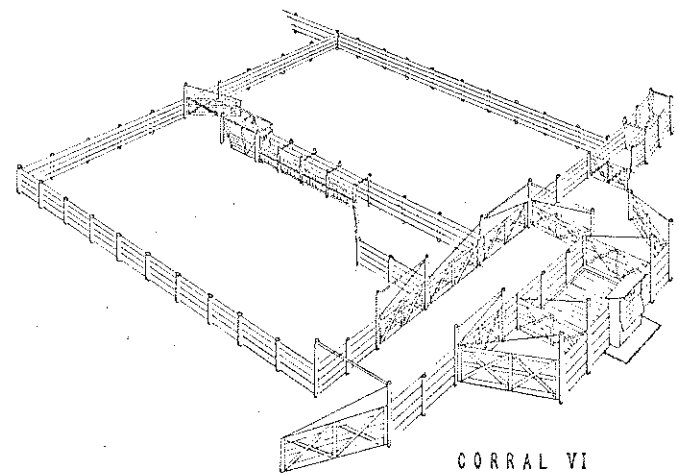
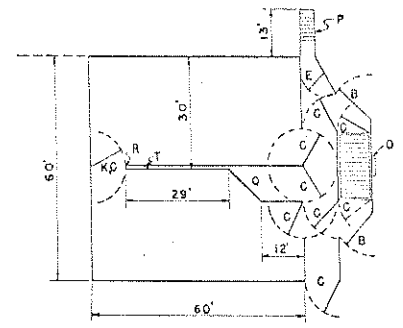


COOPERATIVE EXTENSION WORK IN
AGRICULTURE AND HOME ECONOMICS
DEPARTMENT OF AGRICULTURAL ENGINEERING
UNIVERSITY OF MARYLAND
AND
UNITED STATES DEPARTMENT OF AGRICULTURE
SIX CORRALS
FOR BEEF CATTLE
U.S.A. '57 16-5835 SHEET 1 OF 2

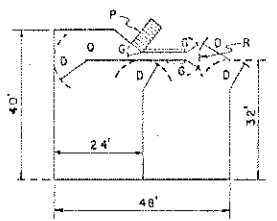
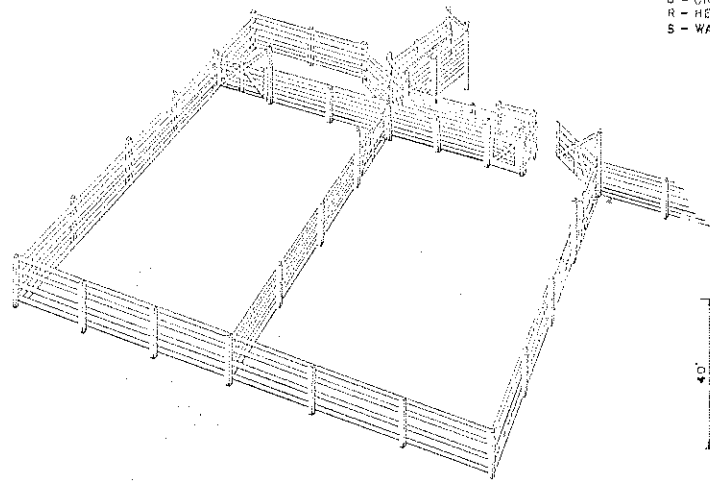


CORRAL V

- A - 16'-0" GATE
- C - 12'-0" "
- D - 10'-0" "
- E - 8'-0" "
- F - 6'-0" "
- G - 4'-0" "
- K - CUTTING GATE
- L - PLATFORM
- M - FOUR-WAY SORTING GATES
- N - SQUEEZE
- O - SCALES
- P - LOADING CHUTE
- Q - GROWING CHUTE
- R - HEAD GATE
- S - WATER TANK



CORRAL VI



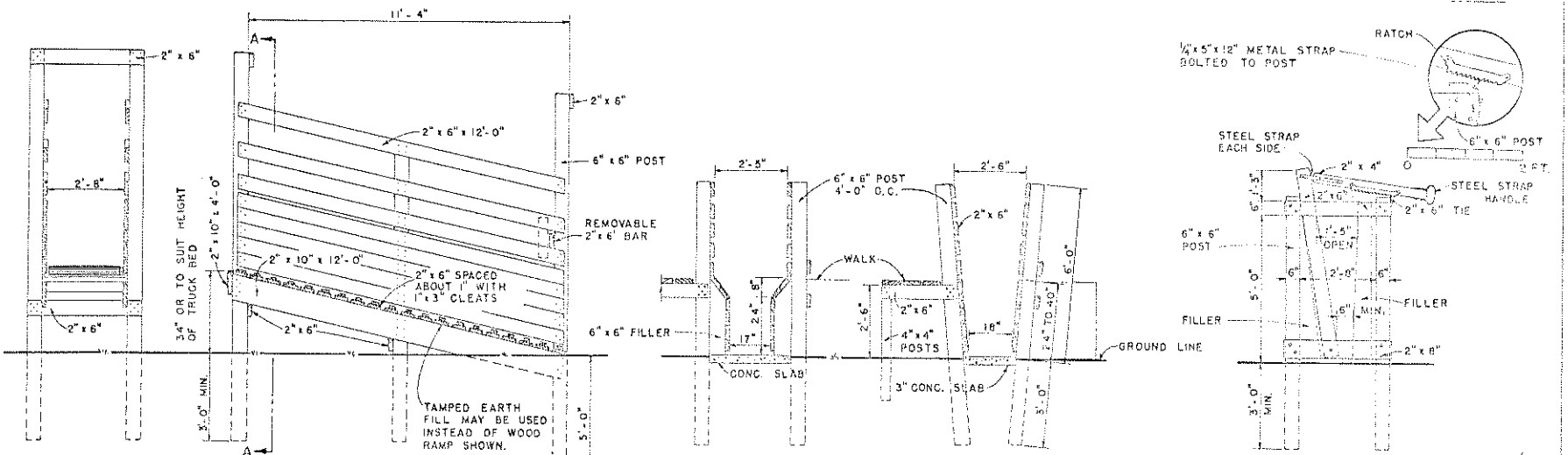
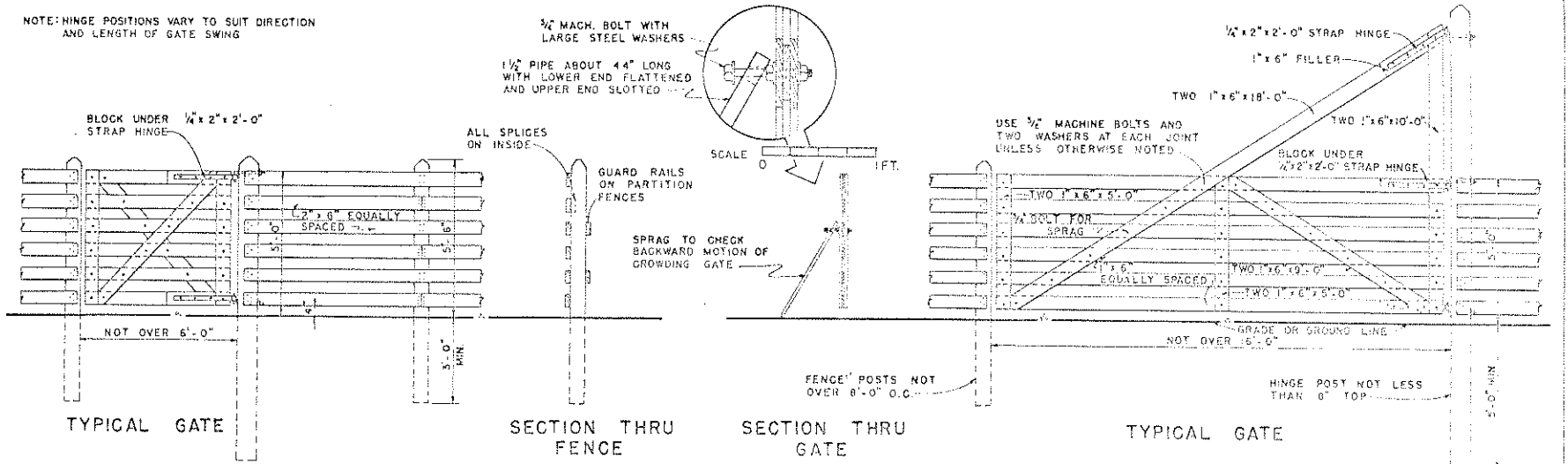
CORRAL IV

COOPERATIVE EXTENSION WORK IN
 AGRICULTURE AND HOME ECONOMICS
 DEPARTMENT OF AGRICULTURAL ENGINEERING
 UNIVERSITY OF MARYLAND
 AND
 UNITED STATES DEPARTMENT OF AGRICULTURE COOPERATING

**SIX CORRALS
 FOR BEEF CATTLE**

USDA '57 EX. 5835 SHEET 2 OF 3

NOTE: HINGE POSITIONS VARY TO SUIT DIRECTION AND LENGTH OF GATE SWING



0 1 2 3 4 FT. EXCEPT AS OTHERWISE NOTED

NOTE: ALL WOOD IN CONTACT WITH EARTH SHOULD BE PRESURE TREATED WITH PRESERVATIVE.

COOPERATIVE EXTENSION WORK IN AGRICULTURE AND HOME ECONOMICS
 DEPARTMENT OF AGRICULTURAL ENGINEERING
 UNIVERSITY OF MARYLAND
 AND
 UNITED STATES DEPARTMENT OF AGRICULTURE COOPERATING

SIX CORRALS FOR BEEF CATTLE

USDA '57	EX-5835	SHEET 3 OF 3
----------	---------	--------------