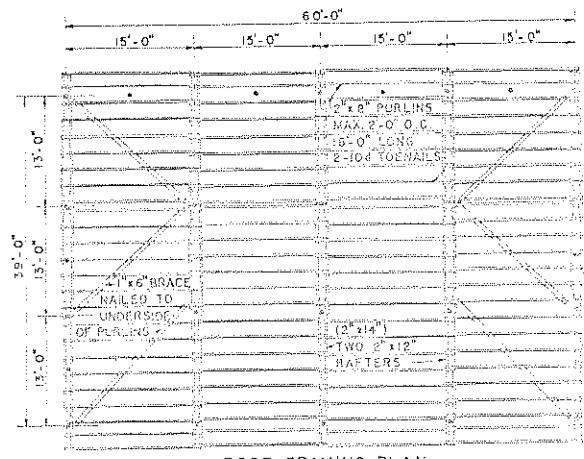
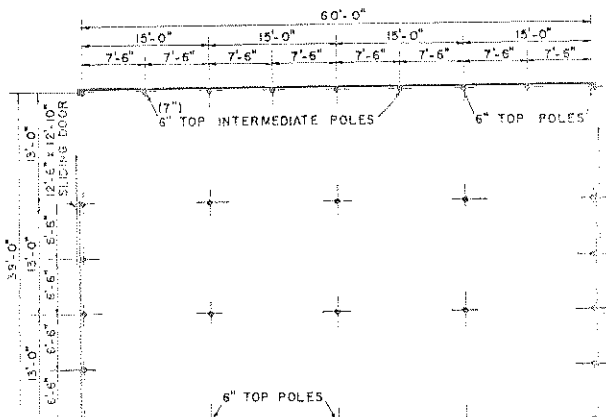


CROSS SECTION  
0 2 4 6 FT.

NOTE:  
THIS BUILDING MAY BE BUILT IN ANY LENGTH DESIRED IN UNITS OF 15'-0". ALL POLES AND SPLASH BOARDS TO BE PRESURE TREATED WITH PRESERVATIVE.

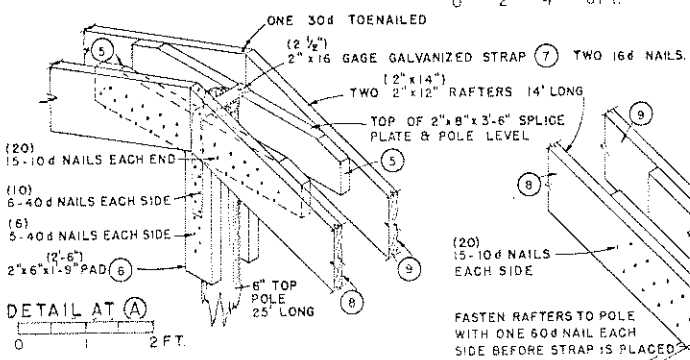


ROOF FRAMING PLAN  
SCALE: 0 4 8 12 16 FT.

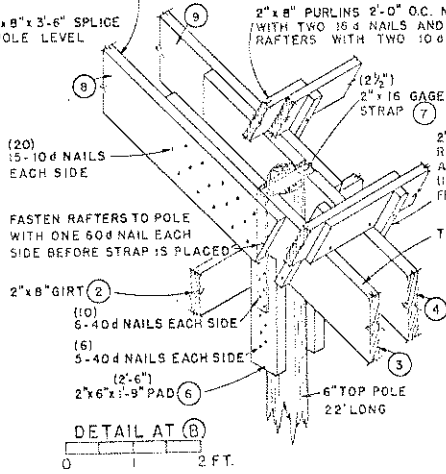


FLOOR PLAN  
SCALE: 0 4 8 12 16 FT.

NOTE:  
THIS BUILDING IS DESIGNED FOR AREAS OF THE UNITED STATES WHERE THE SNOW LOAD IS 20 LB. (OR 30 L.B.) PER SQUARE FOOT OR WIND DOES NOT EXCEED 20 (OR 108) MILES PER HOUR. FRAMING SIZE AND NAILS FOR 30 LB. LOAD OR 108 MILE PER HOUR WIND SHOWN IN PARENTHESES((-)).

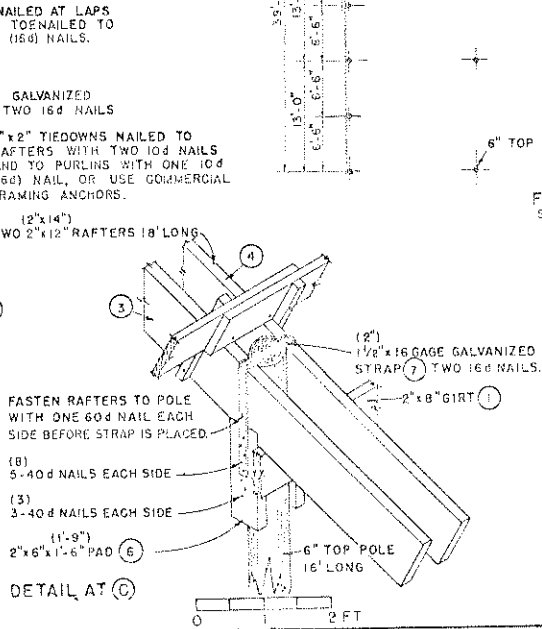


ASSEMBLY NOTE:  
FIRST PUT UP GIRTS (1) AND (2) THEN NAIL RAFTERS (3) AND (4) TO POLES WITH A 60d NAIL AT EACH END. PLACE SPLICE PLATE (5) AND NAIL WITH 2-60d NAILS TO EACH SIDE OF RIDGE POLE. PLACE PADS (6) IN POSITION AND HOLD WITH 2-40d NAILS. FASTEN STRAPS (7) TO RAFTERS (3) AND (4) AND SPLICE PLATES (5) WITH 2-16d NAILS. COMPLETE NAILING OF PADS AND STRAPS. PLACE RAFTERS (8) AND (9) SECURE WITH 15-10d NAILS AT EACH END TO RAFTERS (3) AND (4) AND SPLICE PLATE (5) TOENAIL RAFTERS AT RIDGE WITH 2-16d AND 1-30d NAIL.



DETAIL AT (B)  
0 2 FT.

NOTE:  
DRILL 3/16" HOLES THROUGH RAFTERS AND PADS FOR ALL 40d AND 60d NAILS AS SHOWN ON DRAWING.



DETAIL AT (C)  
0 2 FT.

COOPERATIVE EXTENSION WORK IN AGRICULTURE AND HOME ECONOMICS  
DEPARTMENT OF AGRICULTURAL ENGINEERING  
UNIVERSITY OF MARYLAND  
AND  
UNITED STATES DEPARTMENT OF AGRICULTURE COOPERATING  
TYPE "B" POLE CONSTRUCTION 30' WIDTH  
RIDGE CENTERED ON POLE ROW  
USDA '57 EX. 5631 SHEET 1 OF 1