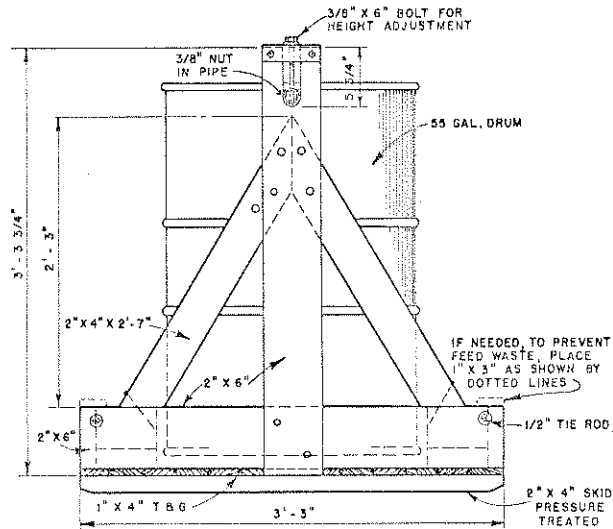


COVER DETAIL

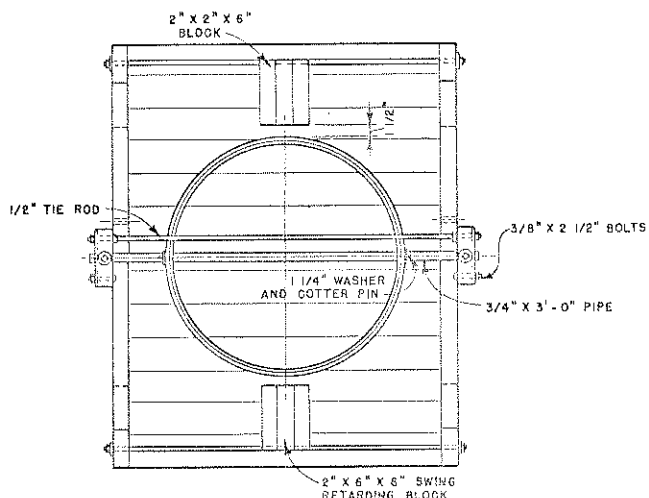
SHOWING FIT
SCALE: 0 1 FT.



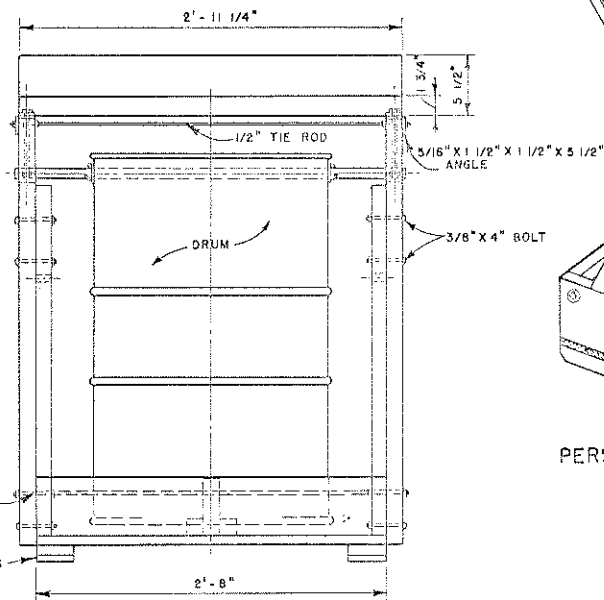
ELEVATION

FRAMING DETAILS

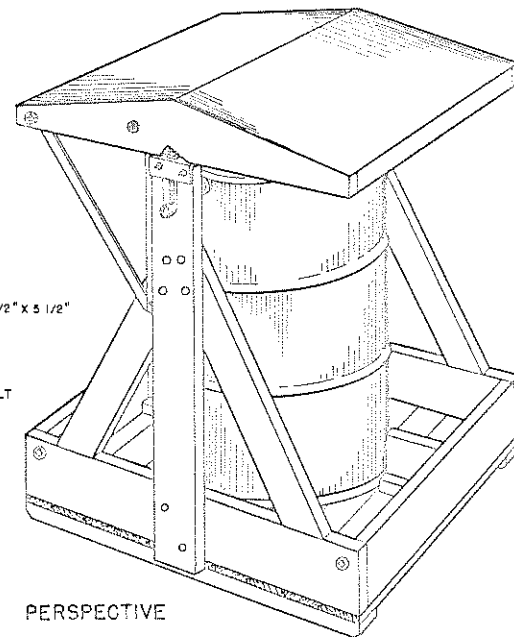
WITH COVER REMOVED
SCALE: 0 1 FT.



PLAN
COVER NOT SHOWN



END VIEW



PERSPECTIVE

COOPERATIVE EXTENSION WORK IN
AGRICULTURE AND HOME ECONOMICS
DEPARTMENT OF AGRICULTURAL ENGINEERING
UNIVERSITY OF MARYLAND
AND
UNITED STATES DEPARTMENT OF AGRICULTURE COOPERATING

SELF FEEDER FOR HOGS

GALIF. '53 EX. 5815 SHEET 1 OF 1