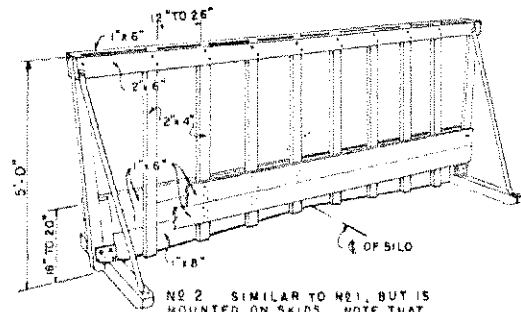
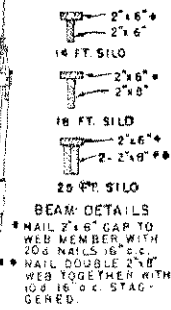
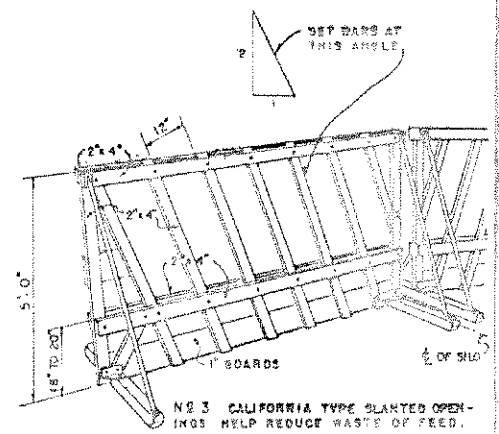


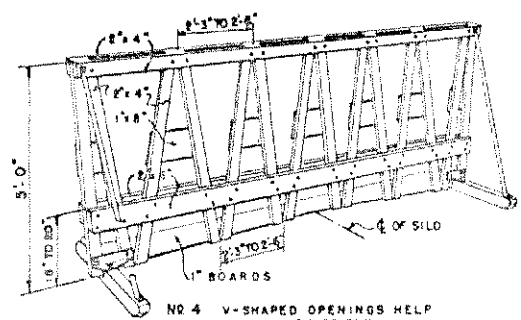
NO 1 A LIGHT-WEIGHT SUSPENDED FENCE WITH RECTANGULAR OPENINGS. MAY BE USED FOR SILOS OF ANY WIDTH IF AN ADEQUATE BEAM IS PROVIDED. STOPS SHOULD BE PROVIDED TO PREVENT THE CATTLE FROM ADVANCING THE FENCE TOO RAPIDLY.



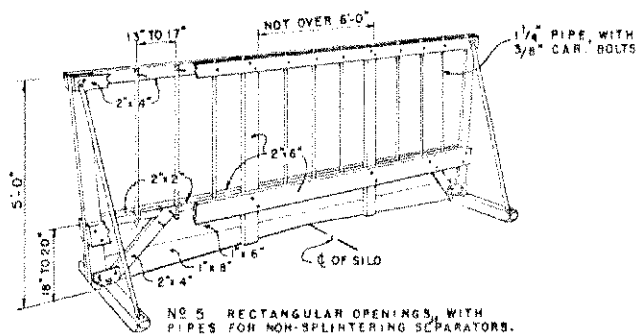
NO 2 SIMILAR TO NO 1, BUT IS MOUNTED ON SKIDS. NOTE THAT SKIDS NEXT TO SILO WALLS ARE SET IN 1" OR 4" INCHES TO CLEAR CUTTERS.



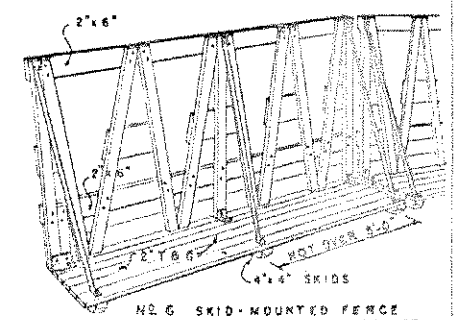
NO 3 CALIFORNIA TYPE SLANTED OPENINGS HELP REDUCE WASTE OF FEED.



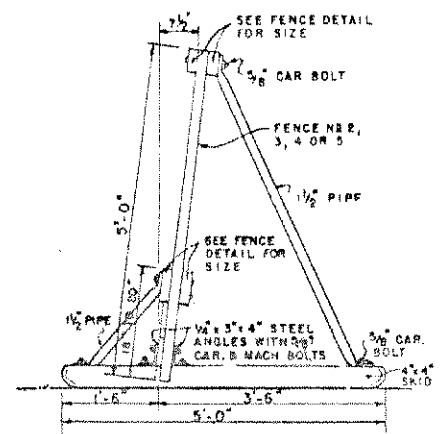
NO 4 V-SHAPED OPENINGS HELP TO REDUCE WASTE OF FEED.



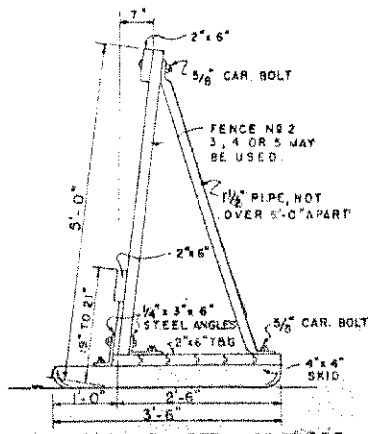
NO 5 RECTANGULAR OPENINGS WITH PIPES FOR NON-SPLINTERING SEPARATORS.



NO 6 SKID-MOUNTED FENCE WITH PLATFORM FOR FOREFEET OF CATTLE.



NO 7 END VIEW - DETAIL OF FENCES WITHOUT PLATFORM.

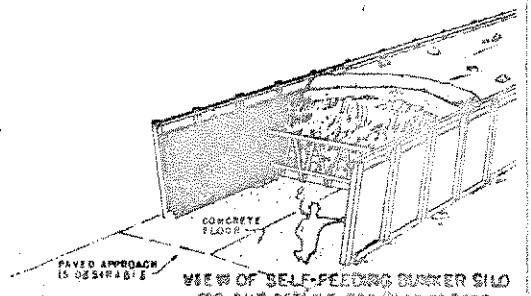


NO 8 END VIEW - DETAIL OF FENCES WITH PLATFORM.

NOTE: EITHER OF THESE DETAILS MAY BE USED WITH ANY OF THE TYPES OF FENCES SHOWN ABOVE.

**GENERAL NOTES**

- A...THE FENCES SHOWN ON THIS PLAN MAY BE ADAPTED FOR USE IN SILOS OF ANY WIDTH, AND MAY BE MOUNTED ON SKIDS OR SUSPENDED FROM A BEAM SUPPORTED ON THE SILO WALLS AS SHOWN IN NO. 1. WHEN MOUNTED ON SKIDS, THEY MAY BE BUILT IN ONE OR TWO SECTIONS BUT A SINGLE SECTION SHOULD NOT EXCEED 16 FT. IN LENGTH. THE PLATFORM TYPE SHOWN IN NO 6 PROVIDES GREATER STABILITY AND PREVENTS THE CATTLE FROM PUSHING THE FENCE.
- B...THE SHAPE OF THE FENCE SHOULD CONFORM TO THE SHAPE OF THE SILO WITH CLEARANCE OF ABOUT 3" FROM WALLS, 1" FROM FLOOR AND 6" BETWEEN SECTIONS.
- C...FOR GREATER DURABILITY, USE DRY WOOD AND SOAK PARTS FOR 15 MIN. IN WOOD PRESERVATIVE AFTER CUTTING.
- D...DETAILS, NO. 7 & 8 SHOW THE FENCE INCLINED TOWARD THE CATTLE. THIS REDUCES THE TENDENCY TO EAT ONLY FROM THE UPPER PART OF THE STACK AND INCREASES THE STABILITY OF THE FENCE.
- E...THE WALLS OF SELF FEEDING SILOS SHOULD NOT BE OVER 6 FEET HIGH.



VIEW OF SELF-FEEDING BUNKER SILO FOR SILO DETAILS SEE DRAWING 5800

COOPERATIVE EXTENSION WORK IN AGRICULTURE AND HOME ECONOMICS	
UNITED STATES DEPARTMENT OF AGRICULTURE COOPERATING	
SELF-FEEDING FENCES FOR BUNKER OR TRENCH SILOS	
USDA	'55 EX. 5801 SHEET 1 OF 1