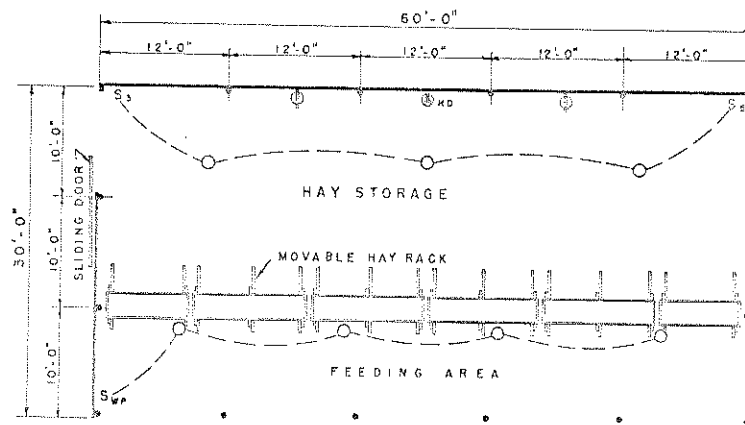
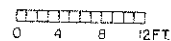
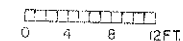


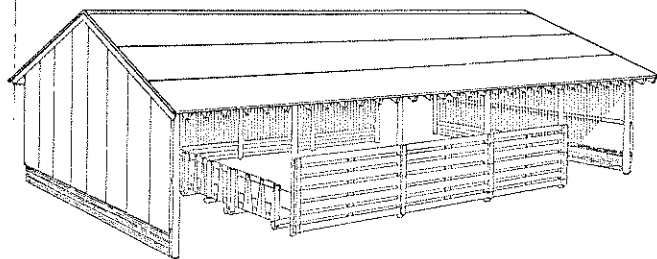
PLAN NO. 1



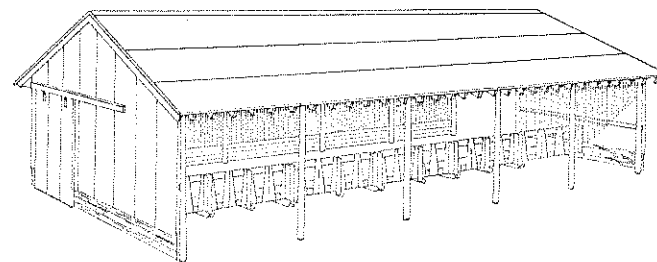
PLAN NO. 2



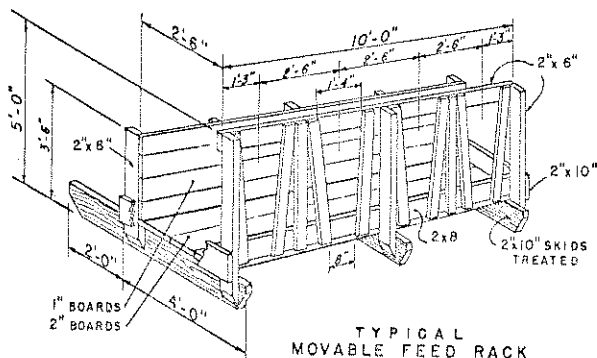
- WIRING LEGEND
- LIGHT OUTLET
  - ⊕ DUPLEX OUTLET
  - ⊕<sub>HD</sub> HAY DRYER
  - S SINGLE POLE SWITCH
  - S<sub>3</sub> 3 WAY SWITCH
  - S<sub>WP</sub> WEATHERPROOF SWITCH



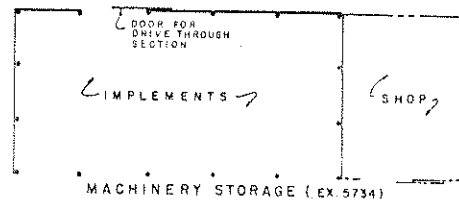
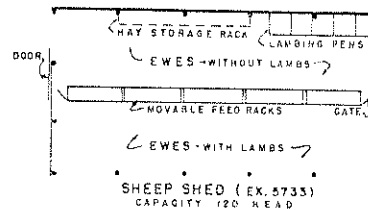
PERSPECTIVE VIEW OF PLAN NO. 1



PERSPECTIVE VIEW OF PLAN NO. 2



TYPICAL MOVABLE FEED RACK  
(ADJUST LENGTH TO SUIT)



NOTE:-

1. CAPACITY: 24 TO 32 HEAD
2. LENGTH OF BUILDING MAY BE VARIED IN 12 FT. UNITS.
3. USE OF THE BUILDING AS SHEEP OR MACHINERY SHELTER IS ILLUSTRATED BY SMALL PLANS AT LEFT. COMPLETE PLANS FOR EITHER OF THESE TYPES OF BUILDINGS MAY BE OBTAINED - WHEN ORDERING USE THE PLAN NUMBER INDICATED.

BASED ON VIRGINIA PLAN No. K 1.25

COOPERATIVE EXTENSION WORK IN  
AGRICULTURE AND HOME ECONOMICS  
DEPARTMENT OF AGRICULTURAL ENGINEERING  
UNIVERSITY OF MARYLAND  
AND  
UNITED STATES DEPARTMENT OF AGRICULTURE COOPERATING

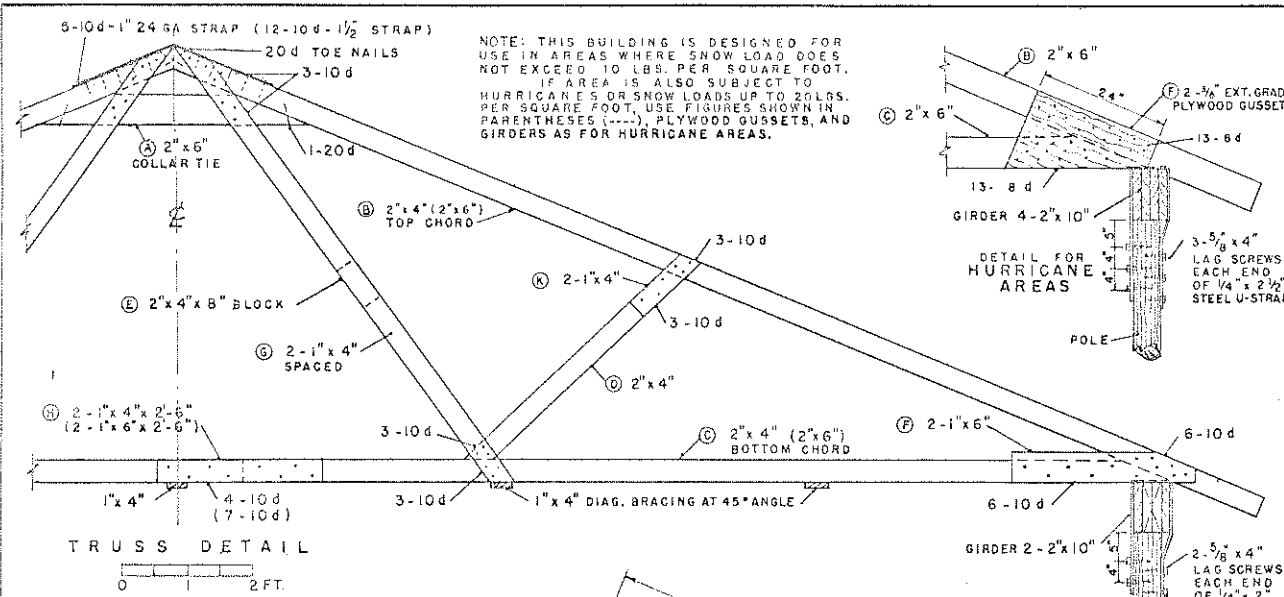
MULTI PURPOSE POLE BUILDING  
CATTLE & HAY BARN

USDA '53 EX. 5794 SHEET 1 OF 2

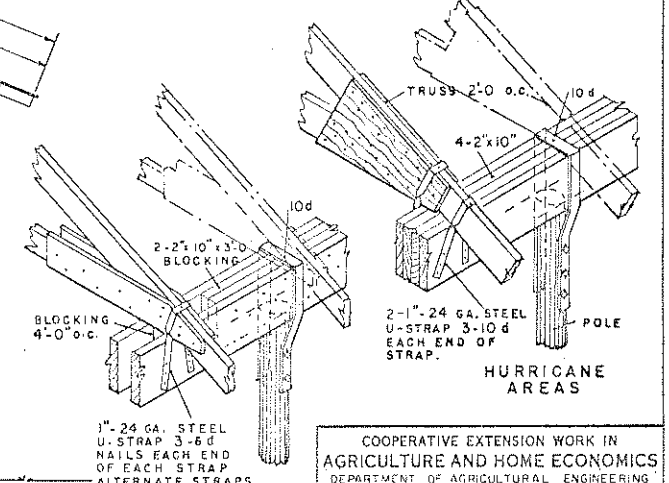
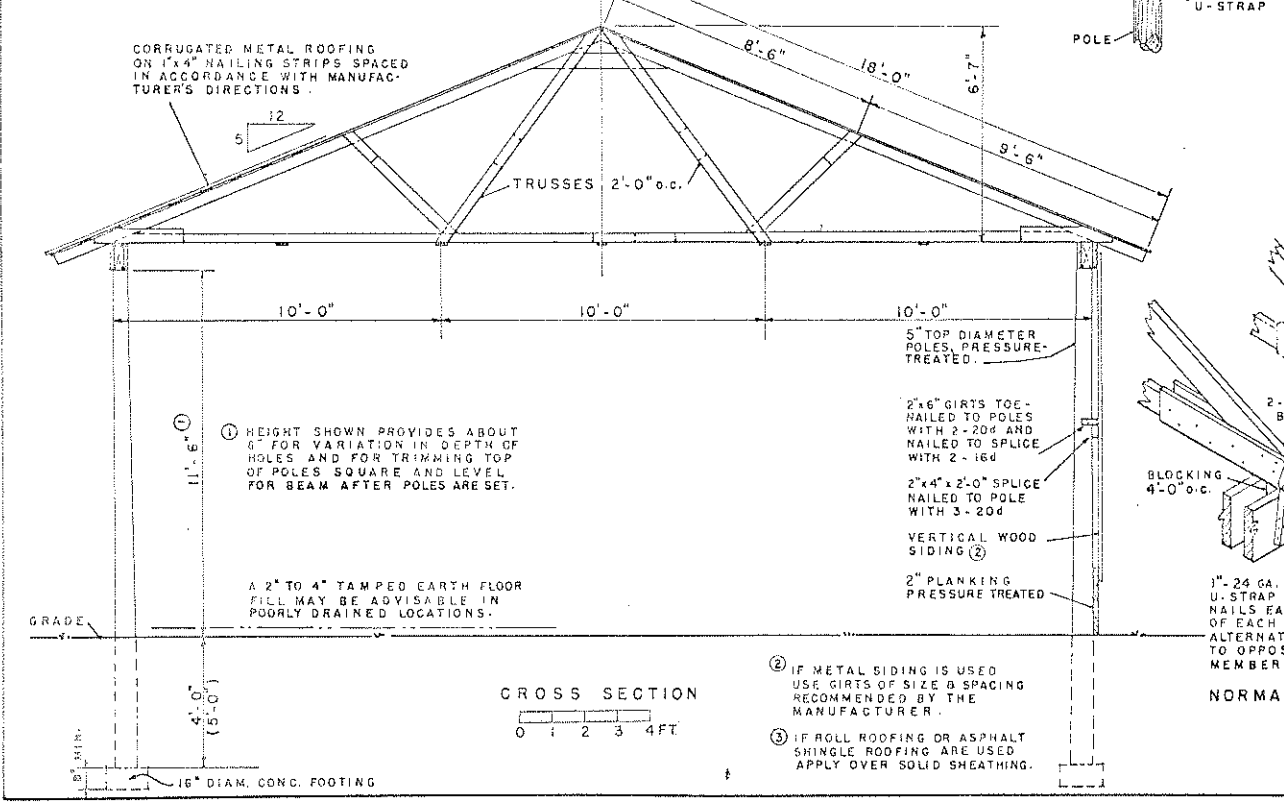
LIST OF MATERIALS

THIS LIST OF MATERIALS IS PREPARED FOR ESTIMATING PURPOSES. IF USED FOR THE PURCHASE OF MATERIALS, THE QUANTITIES SHOULD BE VERIFIED BY THE BUILDER.

ITEM	NORMAL AREAS		HURRICANE AREAS	
	SIZE	PCS.	SIZE	PCS.
<b>TRUSSES (TOTAL 311)</b>				
(A) COLLAR TIE	2" x 6" x 14'-0"	8	2" x 6" x 12'-0"	8
(B) TOP CHORD	2" x 4" x 18'-0"	62	2" x 6" x 18'-0"	62
(C) BOTTOM CHORD	2" x 4" x 14'-0"	31	2" x 6" x 14'-0"	31
(C) BOTTOM CHORD	2" x 4" x 16'-0"	31	2" x 6" x 16'-0"	31
(D) STRUT & (E) BLOCK	2" x 4" x 10'-0"	31	2" x 4" x 10'-0"	31
(F) GUSSET	1" x 6" x 12'-0"	31	4'-0" x 6'-0" x 1/2" EXT. PLY.	8
(G) TIE & (K) SCAB	1" x 4" x 10'-0"	124	1" x 4" x 10'-0"	124
(H) P.O.	1" x 4" x 10'-0"	16	1" x 6" x 10'-0"	16
DIAGONAL BRACING	1" x 4" 52' LIN. FT.		1" x 4" 52' LIN. FT.	
POLES (PRESSURE TREAT.)	16'-0" LONG	16	17'-0" LONG	16
NAILING GIRTS	2" x 4" x 16'-0"	4	2" x 4" x 16'-0"	4
	2" x 6" x 12'-0"	5	2" x 6" x 12'-0"	5
	2" x 6" x 10'-0"	4	2" x 6" x 10'-0"	4
	2" x 10" x 10'-0"	6	2" x 10" x 10'-0"	6
SPLASH BOARDS (PRESSURE TREATED)	2" x 6" x 12'-0"	20	2" x 6" x 12'-0"	20
	2" x 6" x 10'-0"	16	2" x 6" x 10'-0"	16
GIRDERS	2" x 10" x 12'-0"	20	2" x 10" x 12'-0"	40
BLOCKING	2" x 4" x 16'-0"	2	2" x 4" x 16'-0"	2
	2" x 4" x 10'-0"	2	2" x 4" x 10'-0"	2
	2" x 10" x 12'-0"	6	2" x 10" x 12'-0"	6
SPLICE	2" x 4" x 12'-0"	2	2" x 4" x 12'-0"	2
VERGE BOARDS	1" x 6" x 18'-0"	4	1" x 6" x 18'-0"	4
SIDING & DOORS: 179' BM. 1" BOARDS OR 16 SQS. OF MET. SIDING				
ROOF SHEATHING: 2500 D.M. 1" BOARDS				
ROOFING: 23 SQUARES - 62' RIDGE CAP				
HARDWARE: 4 DOOR HANGERS, SLIDING DOOR TRACK 48', GUTTERS, DOWNSPOUTS, NAILS, STRAPS & PAINT.				
FOR METAL ROOF: SPACED ROOF SHEATHING 2432' OF 1" x 4" WOOD STRIPS 12 & 14 FT. LENGTHS				



DETAIL FOR HURRICANE AREAS



COOPERATIVE EXTENSION WORK IN AGRICULTURE AND HOME ECONOMICS  
 DEPARTMENT OF AGRICULTURAL ENGINEERING  
 UNIVERSITY OF MARYLAND  
 AND  
 UNITED STATES DEPARTMENT OF AGRICULTURE COOPERATING  
**MULTI PURPOSE POLE BUILDING  
 CATTLE & HAY BARN**  
 USDA '55 EX. 5794 SHEET 2 OF 2

NOTE: THIS BUILDING IS DESIGNED FOR USE IN AREAS WHERE SNOW LOAD DOES NOT EXCEED 10 LBS. PER SQUARE FOOT. IF AREA IS ALSO SUBJECT TO HURRICANE OR SNOW LOADS UP TO 20 LBS. PER SQUARE FOOT, USE FIGURES SHOWN IN PARENTHESES (---), PLYWOOD GUSSETS, AND GIRDERS AS FOR HURRICANE AREAS.

- ② IF METAL SIDING IS USED USE GIRTS OF SIZE B SPACING RECOMMENDED BY THE MANUFACTURER.
- ③ IF ROLL ROOFING OR ASPHALT SHINGLE ROOFING ARE USED APPLY OVER SOLID SHEATHING.