

**NOTE:**

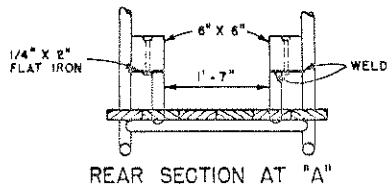
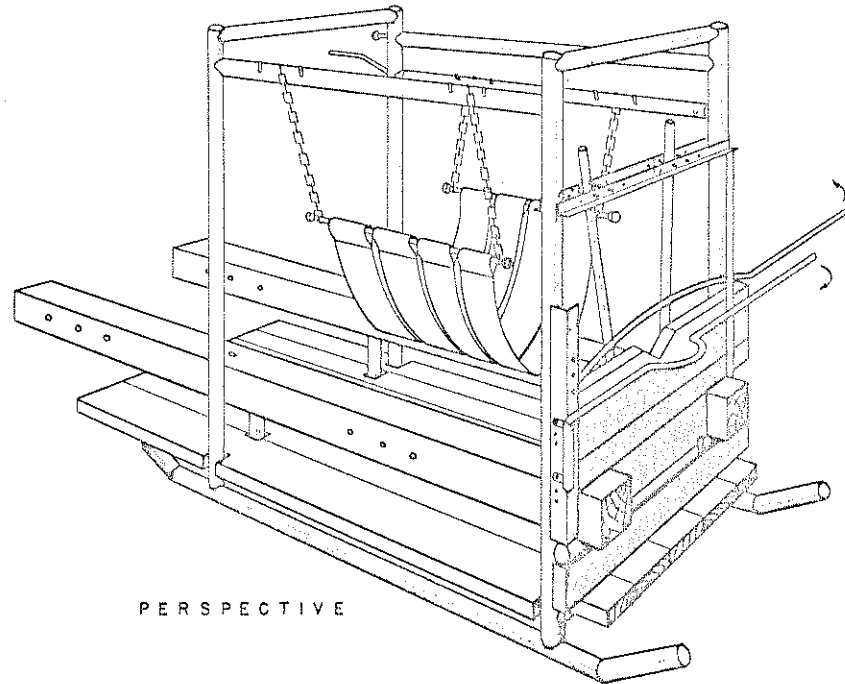
THE WELDED PIPE AND ANGLE IRON CONSTRUCTION MAKE THIS PIECE OF EQUIPMENT ADEQUATELY STRONG FOR HANDLING MOST FARM ANIMALS.

FOR LARGE ANIMALS SUCH AS 2000 POUND BULLS INCREASE THE WIDTH OF FRAME TO 3'-6" AND THE HEIGHT TO 7'-0". USE 3" TO 4" PIPE FOR FRAME WORK.

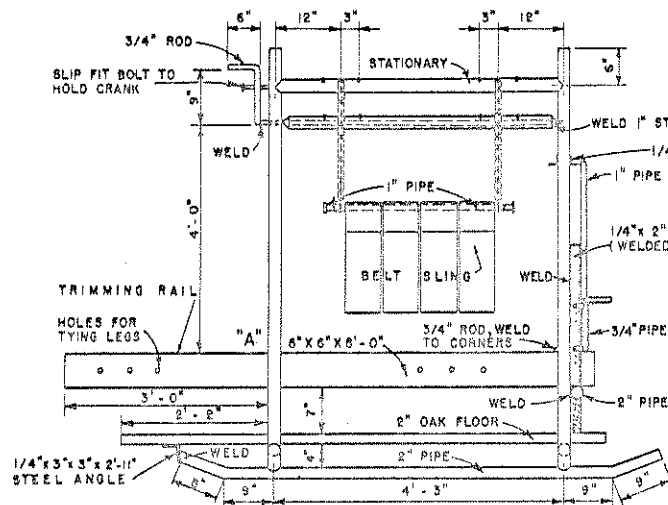
THE OAK FLOOR CAN BE REMOVED TO MAKE LOADING EASIER WHEN THE EQUIPMENT IS TRANSPORTED BY TRUCK.

**USE OF CATTLE STOCK**

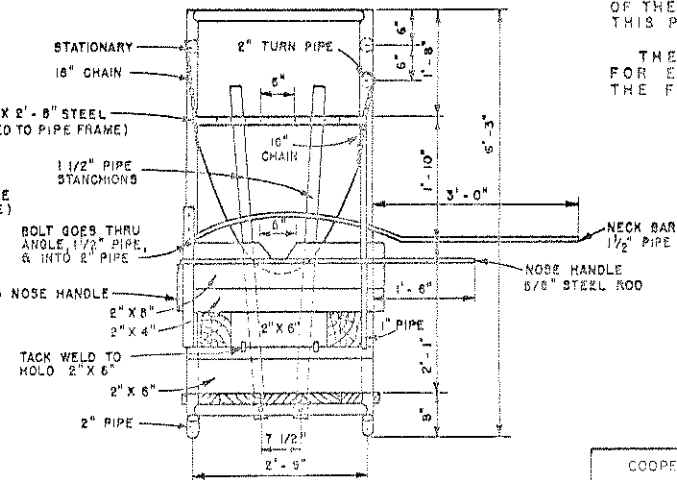
- 1 PLACE ANIMAL IN STOCK AND CLOSE STANCHION.
- 2 LOCK THE NOSE HANDLE AND NECK BAR.
- 3 PULL BELT SLING UNDER ANIMAL AND USE CRANK TO TAKE SOME WEIGHT OFF ANIMAL'S FEET. DO NOT RAISE ANIMAL'S FEET FROM FLOOR.
- 4 USING AN 8 FOOT LENGTH OF 1/2" ROPE, PLACE A LOOP AROUND THE PASTERNA JOINT (BETWEEN ANKLE AND HOOF) OF ONE FOOT WITH ROPE EXTENDED TOWARD FRONT.
- 5 PULL FOOT BACK AND UP UNTIL IT RESTS INVERTED ON TRIMMING RAIL.
- 6 PULL ROPE THRU NEAREST HOLE, MAKE SEVERAL LOOPS AROUND RAIL AND PASTERNA FOOT IS NOW SECURED, SOLE UP, READY TO TRIM.
- 7 WHEN TRIMMING REAR FEET OF STRUGGLING ANIMAL PLACE A LONG ROPE AROUND INSIDE OF LEG BEING WORKED, BRING BOTH ENDS OVER BACK AND PULL FORWARD. THIS TENSION WILL PREVENT STRUGGLING.



PERSPECTIVE



SIDE ELEVATION



FRONT

SOME OPERATORS PREFER TO USE ONLY TWO CANVAS BELTS FOR THE SLING INSTEAD OF THE FOUR AS SHOWN ON THIS PLAN.

THE PIPE SKIDS MAKE FOR EASY MOVING ABOUT THE FARM.

CATTLE STOCKS ARE IMPORTANT EQUIPMENT ON FARMS AND RANCHES WHERE VALUABLE BREEDING STOCK IS HANDLED. THE USE OF SUCH EQUIPMENT IN TRIMMING HOOF AND HORNS OR IN VACCINATING

OR TREATING CATTLE REDUCES THE CHANCES OF INJURY AND REQUIRES FEWER LABORERS IN PERFORMING SUCH OPERATIONS.

COOPERATIVE EXTENSION WORK IN  
 AGRICULTURE AND HOME ECONOMICS  
 DEPARTMENT OF AGRICULTURAL ENGINEERING  
 UNIVERSITY OF MARYLAND  
 AND  
 UNITED STATES DEPARTMENT OF AGRICULTURE, COOPERATING

**PORTABLE CATTLE STOCK**

USDA. EX5792 SHEET 1 OF 1