

PERSPECTIVE

BILL OF MATERIALS FOR CRATE AND EXIT GATE ONLY

LUMBER			
QUANTITY	SIZE	USE	
1	2" x 4" x 10'-0"	BASE	
1	2" x 4" x 8'-0"	BASE	
1	2" x 4" x 12'-0"	POST	
2	2" x 4" x 10'-0"	POST	
1	2" x 4" x 6'-0"	TIES	
1	1" x 12" x 16'-0"	SIDES & GATE	
2	1" x 12" x 10'-0"	FLOOR	
1	1" x 6" x 10'-0"	FLOOR	
2	1" x 4" x 14'-0"	SLATS (VERT.)	
6	1" x 4" x 12'-0"	SLATS (HORIZ.)	
1	1" x 4" x 12'-0"	GATE BATTENS	
1	1" x 2" x 14'-0"	CLEATS	
2	1" x 2" x 10'-0"	CLEATS	
2	2" x 6" x 10'-0"	FOOTBOARDS	

USE OF BREEDING CRATE

SUPPORT BOAR ON TWO 2"x6" FOOTBOARDS WITH FRONT ENDS RESTING ON CLEATED GATE AND REAR ENDS ON CLEATED FLOOR, ADJUST HEIGHT TO SUIT; THEN INSERT A 2"x4" BAR THRU SLATS AND UNDER 2"x6" FOOTBOARDS.

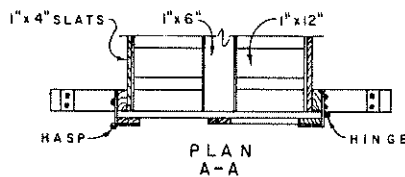
CAUTION SHOULD BE USED TO PREVENT CRACKING ANIMALS JAW WITH HEADGATE.

MISCELLANEOUS

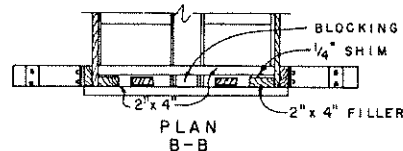
24	3/8" x 3 1/2"	BOLTS, NUTS, ETC.
48	3/8" x 2 1/2"	BOLTS, NUTS, ETC.
6	ANGLES 1/4" x 3 1/2" - 9 1/2"	LEGS
6	BRACES 1/4" x 3 1/2" - 14"	BENT ENDS
4	ANGLES 1/4" x 2 1/2" - 8"	LEGS
1	PAIR 8" T HINGES	
1	HASP AND STAPLE	
3	LBS. 6d COMMON NAILS	

NOTE:

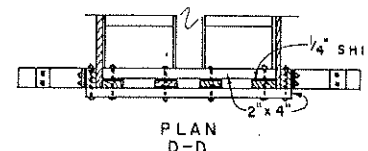
- USE CARRIAGE BOLTS WHEREVER PRACTICABLE. ROUNDED HEAD SIDE TOWARDS ANIMAL TO PREVENT INJURY.
- ALL LUMBER IN CONTACT WITH EARTH SHOULD BE PRESSURE TREATED WITH CREOSOTE OR SIMILAR PRESERVATIVE. ALL OTHER LUMBER TO BE PAINTED WITH WOOD PRESERVATIVE.
- ALL METAL TO BE GALVANIZED OR PAINTED WITH A METAL PRESERVATIVE.



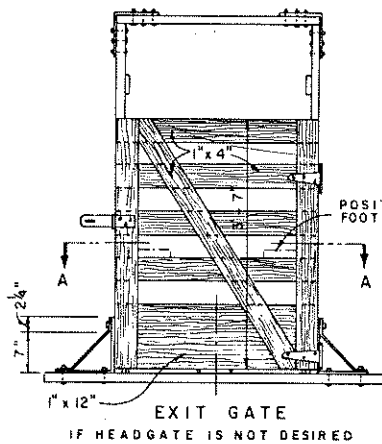
PLAN A-A



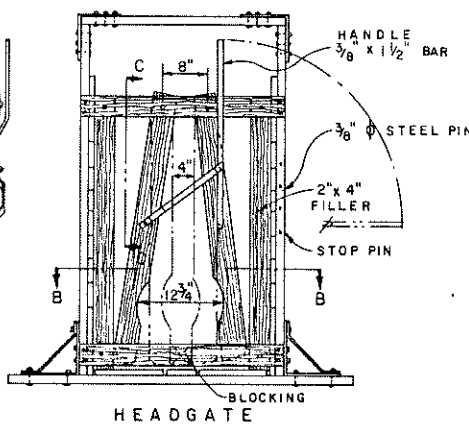
PLAN B-B



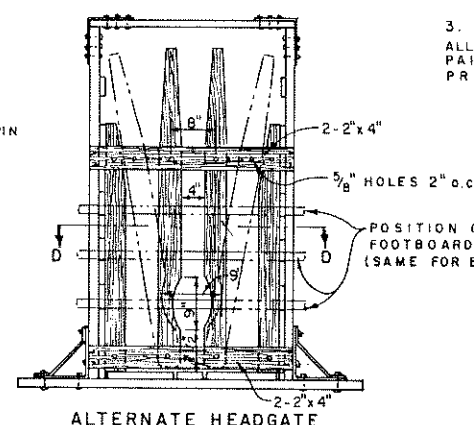
PLAN D-D



EXIT GATE
IF HEADGATE IS NOT DESIRED



HEADGATE



ALTERNATE HEADGATE

GATE DETAILS
SCALE 0 1 2 FT.

COOPERATIVE EXTENSION WORK IN
 AGRICULTURE AND HOME ECONOMICS
 DEPARTMENT OF AGRICULTURAL ENGINEERING
 UNIVERSITY OF MARYLAND
 AND
 UNITED STATES DEPARTMENT OF AGRICULTURE COOPERATING

BREEDING CRATE FOR HOGS

USDA.	EX. 5783	SHEET 1 OF 1
-------	----------	--------------

5783