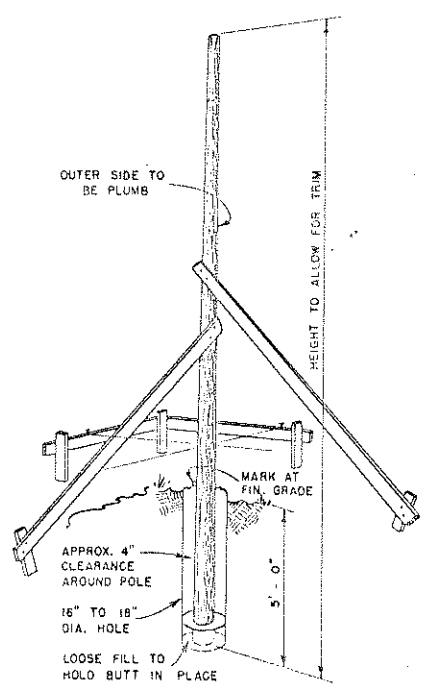
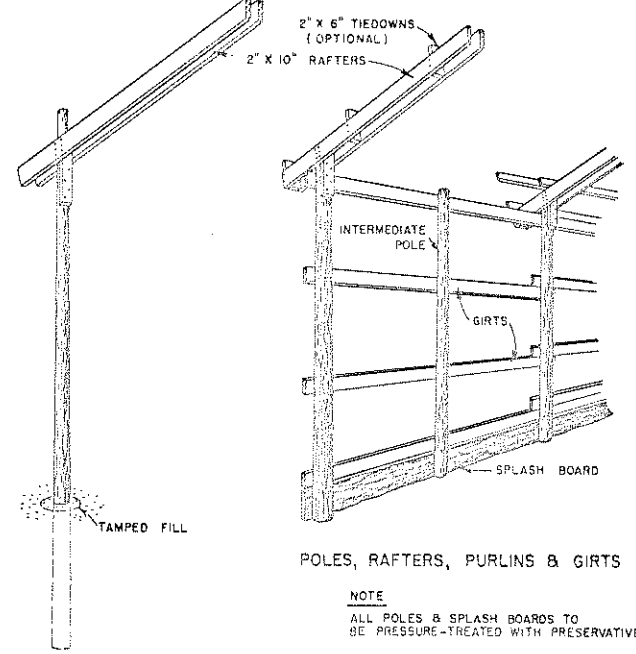


ERECTION OF BALANCE OF POLES & RAFTERS

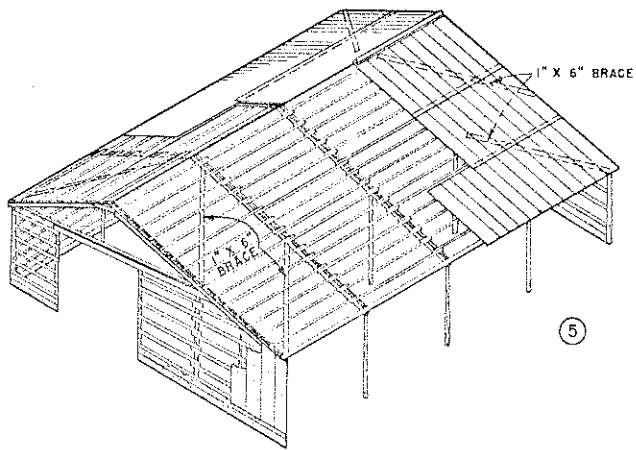


POST HOLE & BRACED POLE



POLES, RAFTERS, PURLINS & GIRTS

NOTE
ALL POLES & SPLASH BOARDS TO BE PRESSURE-TREATED WITH PRESERVATIVE.

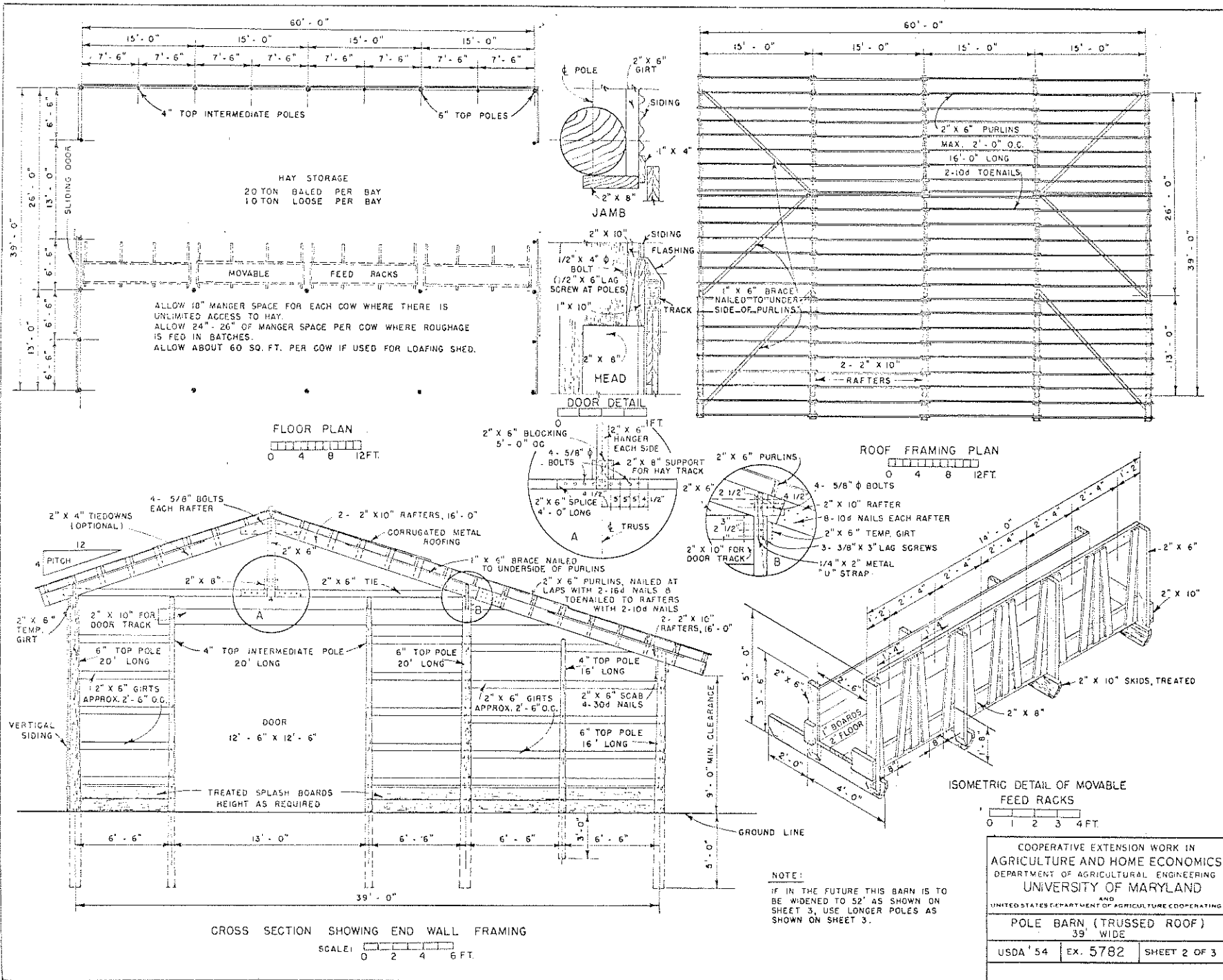


PURLINS, GIRTS, ROOFING & SIDING

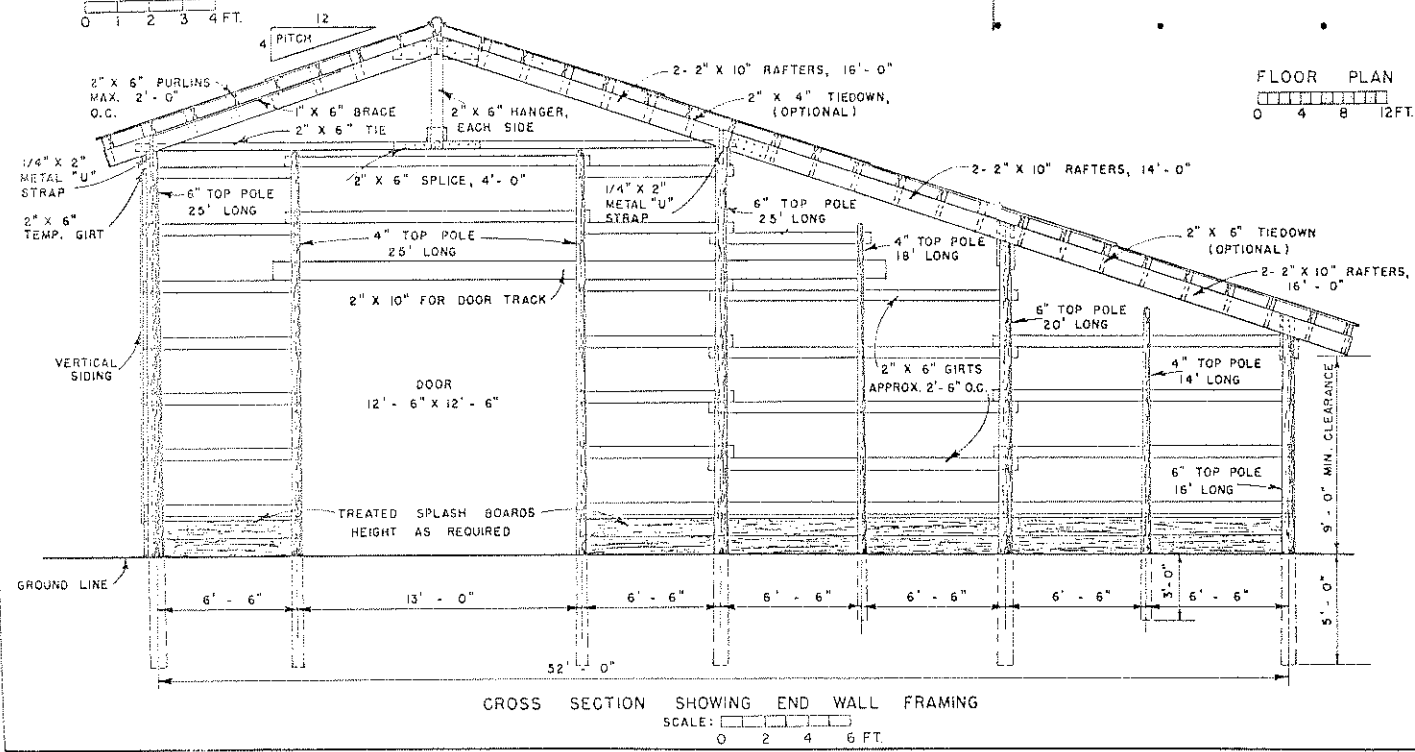
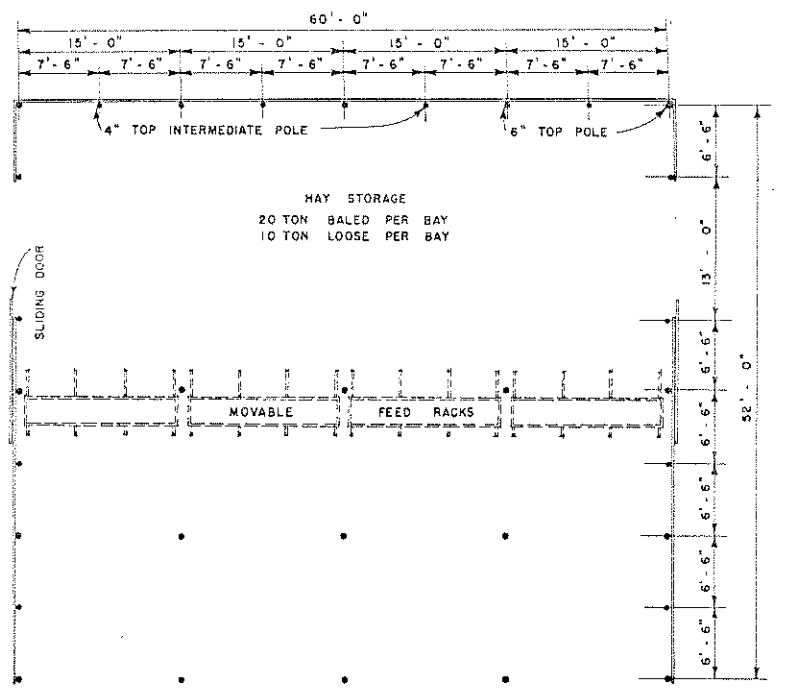
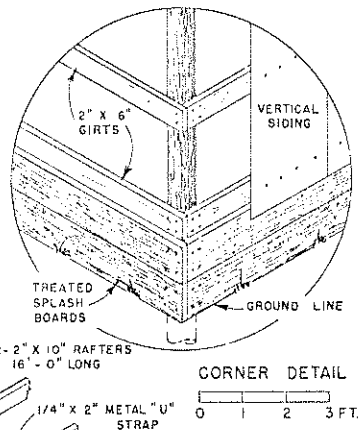
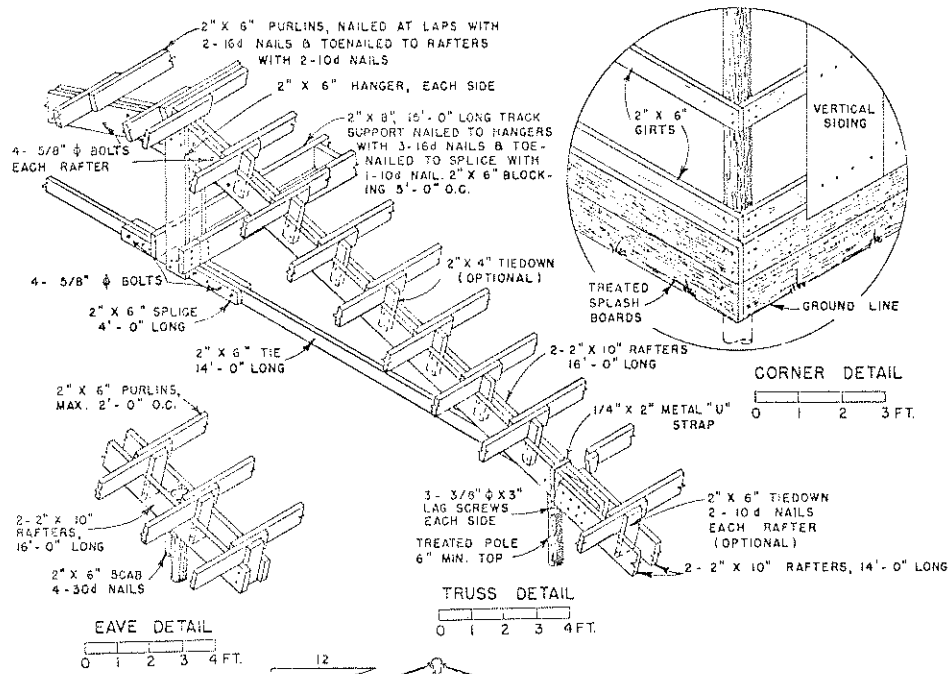
NOTE
THIS BUILDING IS DESIGNED FOR AREAS OF THE SOUTHERN UNITED STATES WHERE THE SNOW LOAD DOES NOT EXCEED 10" PER SQ. FT. & WIND DOES NOT EXCEED 88 MI. PER HOUR. IN A FEW AREAS, SUCH AS NORTHERN VIRGINIA & WESTERN KENTUCKY WHERE SNOW LOADS EXCEED 10" PER SQ. FT., 2" X 12" RAFTERS SHOULD BE USED INSTEAD OF THE 2" X 10" RAFTERS SHOWN & PURLINS SHOULD BE SPACED 16" O.C. INCREASE NUMBER OF 30d NAILS IN RAFTER TO POLE CONNECTIONS 50%. IT SHOULD NOT BE USED IN OTHER AREAS WITHOUT REDESIGNING FRAMING TO MEET LOCAL CONDITIONS.

NOTE
THIS BUILDING MAY BE BUILT IN ANY LENGTH DESIRED IN UNITS OF 15'-0"

COOPERATIVE EXTENSION WORK IN AGRICULTURE AND HOME ECONOMICS DEPARTMENT OF AGRICULTURAL ENGINEERING UNIVERSITY OF MARYLAND AND UNITED STATES DEPARTMENT OF AGRICULTURE COOPERATING		
POLE BARN (TRUSSED ROOF) 39' WIDE		
USDA '54	EX. 5782	SHEET 1 OF 3



NOTE:
 IF IN THE FUTURE THIS BARN IS TO BE WIDENED TO 52' AS SHOWN ON SHEET 3, USE LONGER POLES AS SHOWN ON SHEET 3.



NOTE:
 ROOFING- PURLIN SPACING NOT TO EXCEED 2'-0" FOR 024", 2 1/2" CORRUGATED ALUM. OR 26 GA. 2 1/2" CORRUGATED GALVANIZED STEEL. SIDE LAP SHEETS AT LEAST 1 1/2" CORRUGATIONS. END LAPS 6" MIN. USE 2 1/2" CORRUGATED RIDGE ROLL. LUMBER NOMINAL, ALLOWABLE FIBER STRESS- 1500 PSI FOR PURLINS, 1200 PSI FOR RAFTERS. IF METAL SIDING IS USED, NAILING GIRTS TO BE SPACED TO CONFORM TO MANUFACTURERS DIRECTIONS.

COOPERATIVE EXTENSION WORK IN
 AGRICULTURE AND HOME ECONOMICS
 DEPARTMENT OF AGRICULTURAL ENGINEERING
 UNIVERSITY OF MARYLAND
 AND
 UNITED STATES DEPARTMENT OF AGRICULTURE COOPERATING

POLE BARN (TRUSSED ROOF)
 52' WIDE

USDA 54 EX. 5782 SHEET 3 OF 3