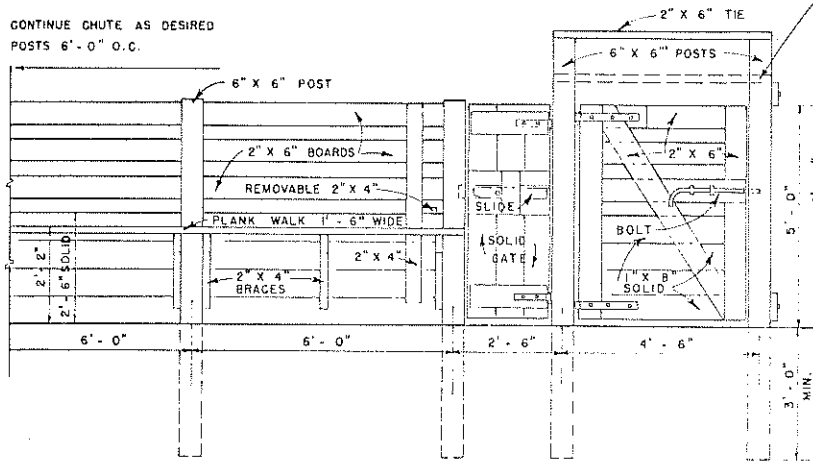
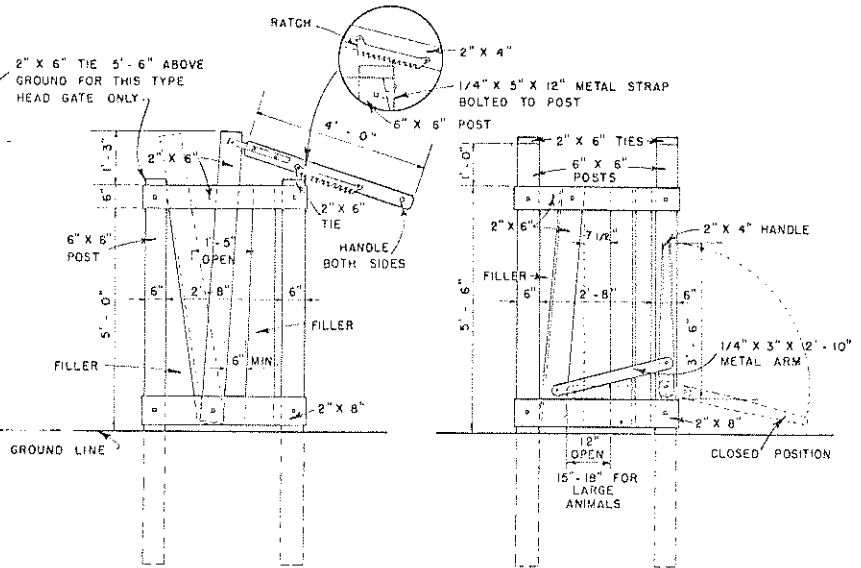


CONTINUE CHUTE AS DESIRED
POSTS 6'-0" O.C.



SIDE ELEVATION

2" X 6" TIE 5'-6" ABOVE
GROUND FOR THIS TYPE
HEAD GATE ONLY.

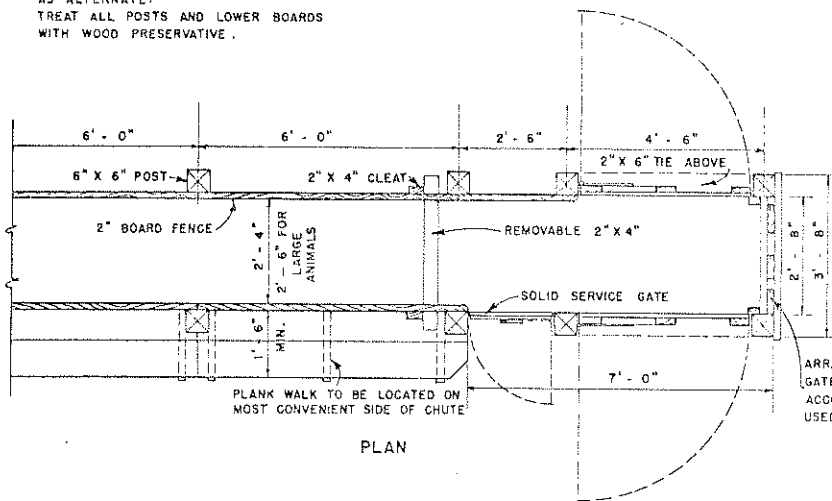


HEAD GATE
ELEVATION

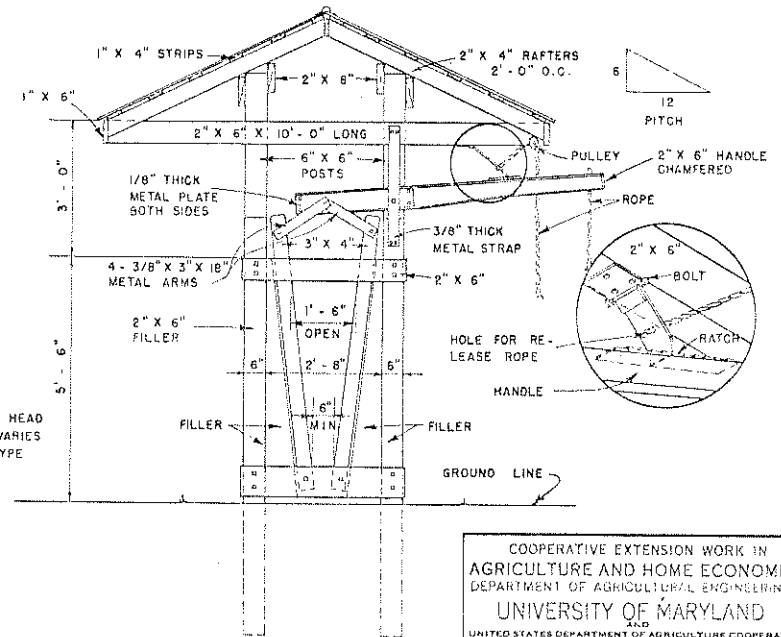
ALTERNATE
HEAD GATE

NOTE

PRESSURE TREATED LUMBER IS PREFERRED.
AS ALTERNATE:
TREAT ALL POSTS AND LOWER BOARDS
WITH WOOD PRESERVATIVE.



PLAN



COVERED TYPE HEAD GATE

CATTLE HOLDING CHUTE & HEAD GATE

SCALE: 0 1 2 3 FT.

COOPERATIVE EXTENSION WORK IN
AGRICULTURE AND HOME ECONOMICS
DEPARTMENT OF AGRICULTURAL ENGINEERING
UNIVERSITY OF MARYLAND
AND
UNITED STATES DEPARTMENT OF AGRICULTURE COOPERATING
CATTLE HOLDING CHUTE
AND HEAD GATES
MD. '53 EX. 5778 SHEET 1 OF 1