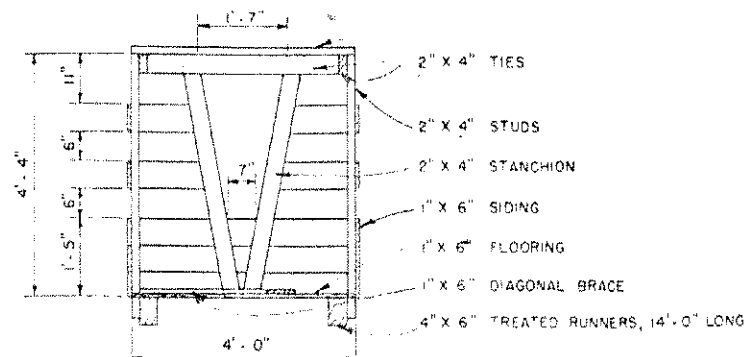
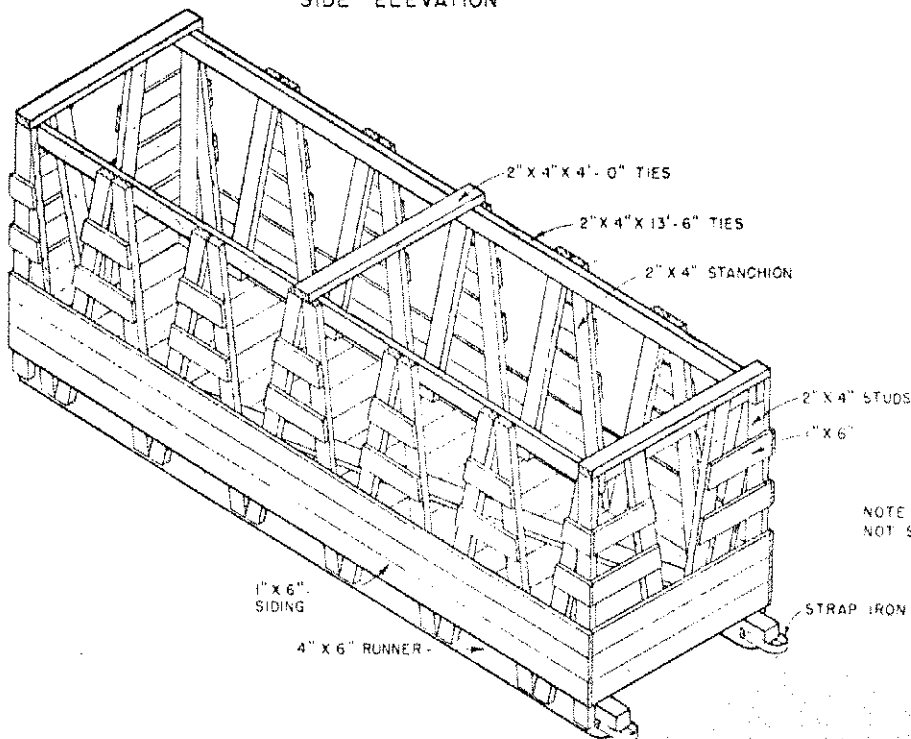


SIDE ELEVATION



SECTION



ISOMETRIC VIEW

BILL OF MATERIALS

2 PCS	4" x 6" x 14'-0"	RUNNERS
2 PCS	2" x 4" x 13'-6"	TIES
2 PCS	2" x 4" x 3'-5 1/2"	TIES
3 PCS	2" x 4" x 4'-0"	TOP CROSS TIES
4 PCS	2" x 4" x 4'-8 1/2"	CORNER STUDS
28 PCS	2" x 4" x 4'-10 1/2"	STANCHIONS
6 PCS	1" x 6" x 13'-7 1/2"	SIDING - SIDES
6 PCS	1" x 6" x 4'-0"	SIDING - ENDS
3 PCS	1" x 6" x 16'-0"	SIDING - BETWEEN STANCHIONS
29 PCS	1" x 6" x 4'-0"	FLOORING
1 PC	1" x 6" x 14'-0"	DIAGONAL BRACE
4 LB	16 d	NAILS
4 LB	8 d	NAILS
2 EA	6" x 3/8"	BOLTS
3 FT	1 1/2" x 3/8"	STRAP IRON

NOTE:  
NOT SUITABLE FOR CATTLE WITH HORNS

COOPERATIVE EXTENSION WORK IN  
AGRICULTURE AND HOME ECONOMICS  
DEPARTMENT OF AGRICULTURAL ENGINEERING,  
UNIVERSITY OF MARYLAND  
AND  
STATE COLLEGE DEPARTMENT OF AGRICULTURE AND HOME ECONOMICS

CATTLE HAY RACK

TEX. 1951 EX. 5772 SHEET 1 OF 1