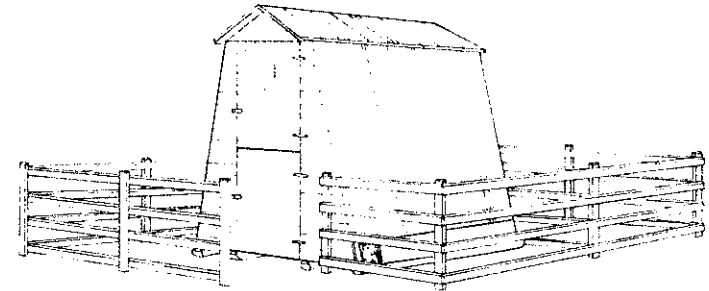
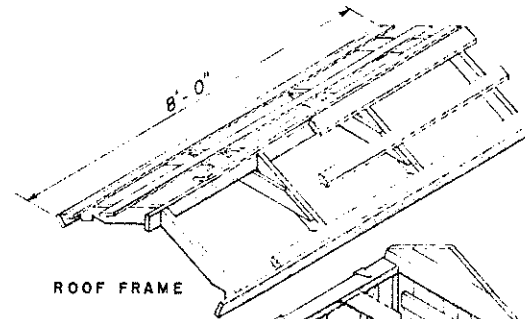


PLAN SHOWING SINGLE OR DOUBLE LAYOUT

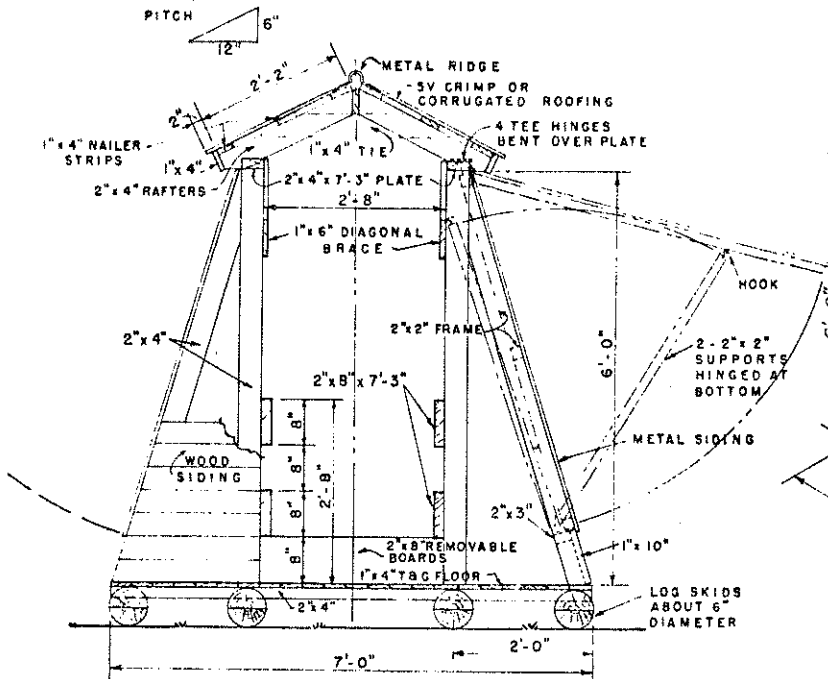
SCALE 0 2 4 6 FT.



PERSPECTIVE



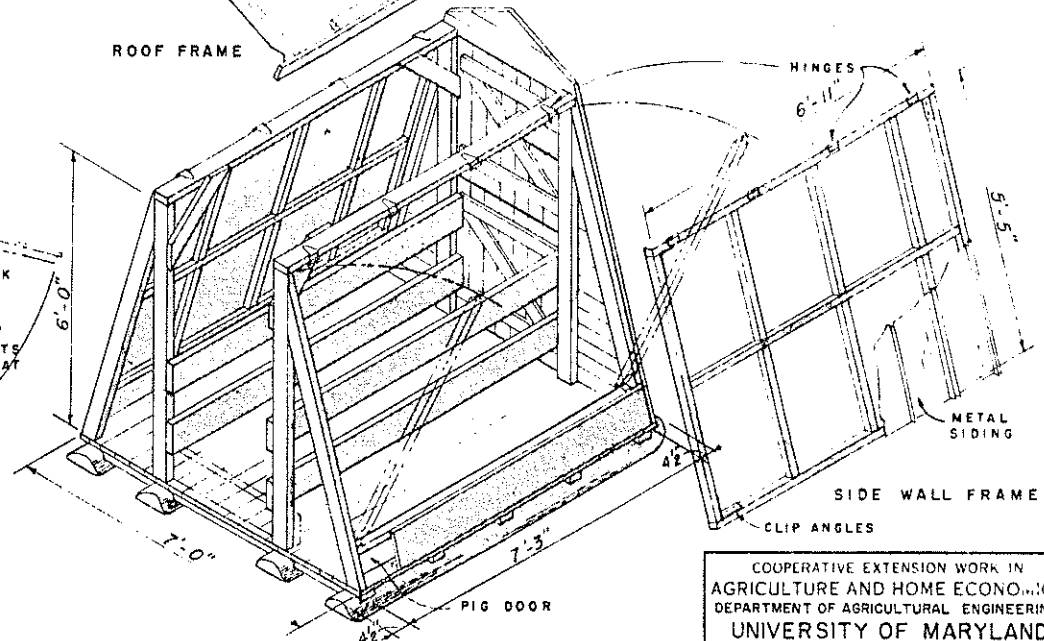
ROOF FRAME



END ELEVATION

SCALE 0 1 2 FT.

NOTE:-
IT IS RECOMMENDED THAT ALL WOOD PARTS BE TREATED WITH PRESERVATIVE AFTER CUTTING.



ISOMETRIC (SHOWING CONSTRUCTION)

COOPERATIVE EXTENSION WORK IN
AGRICULTURE AND HOME ECONOMICS
DEPARTMENT OF AGRICULTURAL ENGINEERING
UNIVERSITY OF MARYLAND

STATE OF MARYLAND DEPARTMENT OF AGRICULTURE AND RELATED INDUSTRIES

PORTABLE
FARROWING PEN

FLA. '54 EX. 5770 SHEET 1 OF 1