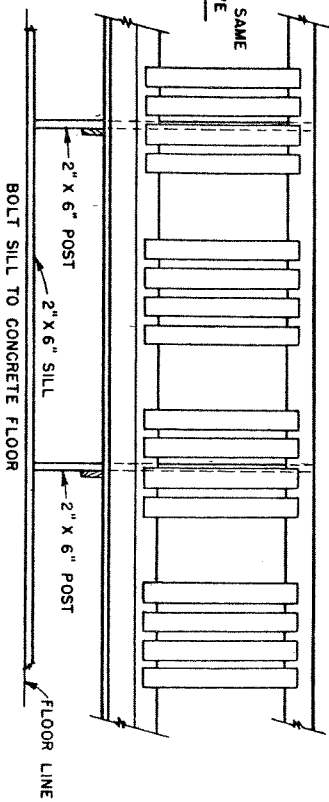
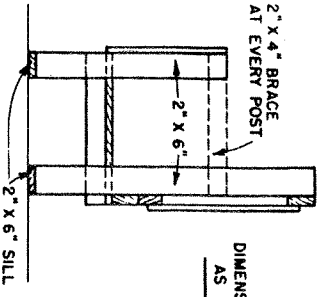
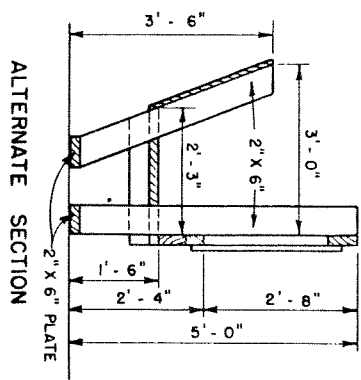


DETAILS OF FEEDING RACK
(USING 4" POSTS FOR SUPPORT)



DETAILS OF FEEDING RACK FOR CONCRETE FLOOR

DIMENSIONS SAME AS ABOVE



ALTERNATE SECTION

THIS RACK MAY BE USED FOR BOTH HAY AND SILAGE. IN FEEDING SILAGE IT IS NECESSARY THAT A FEED ALLEY BE PROVIDED.

NOTE
FOR SMALL ANIMALS THE OPENINGS SHOULD ONLY BE ABOUT 2' FROM THE FLOOR AND THEY MAY BE SPACED 2'-6" CENTER TO CENTER INSTEAD OF 3' AS SHOWN.

COOPERATIVE EXTENSION WORK IN AGRICULTURE AND HOME ECONOMICS		
UNITED STATES DEPARTMENT OF AGRICULTURE COOPERATING AND		
CATTLE FEEDING RACK		
VA. '53	5767	SHEET 1 OF 1