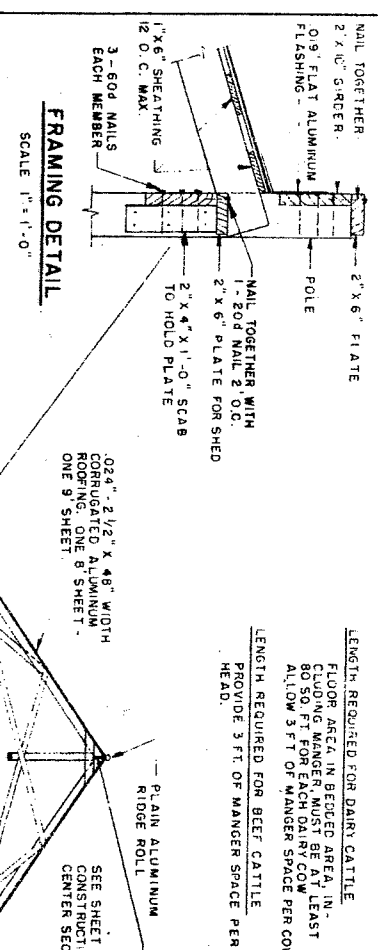
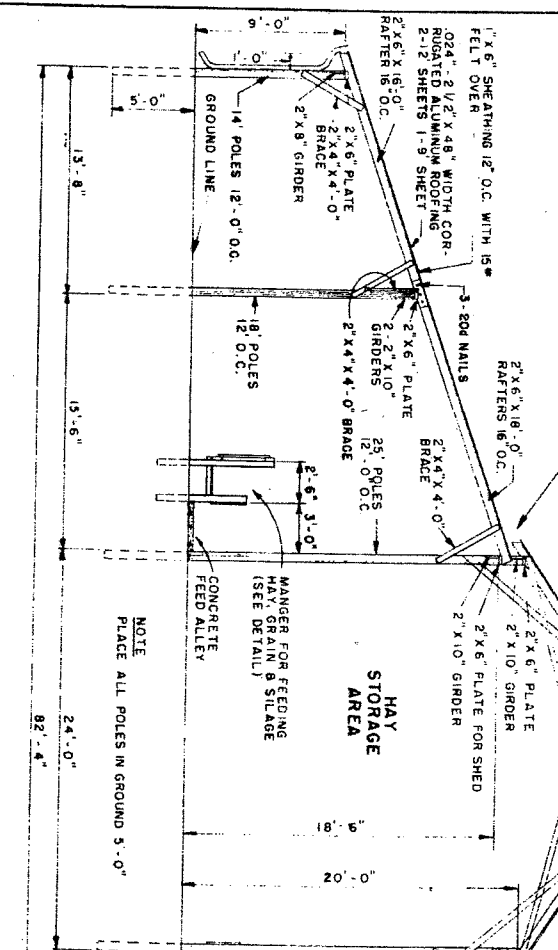


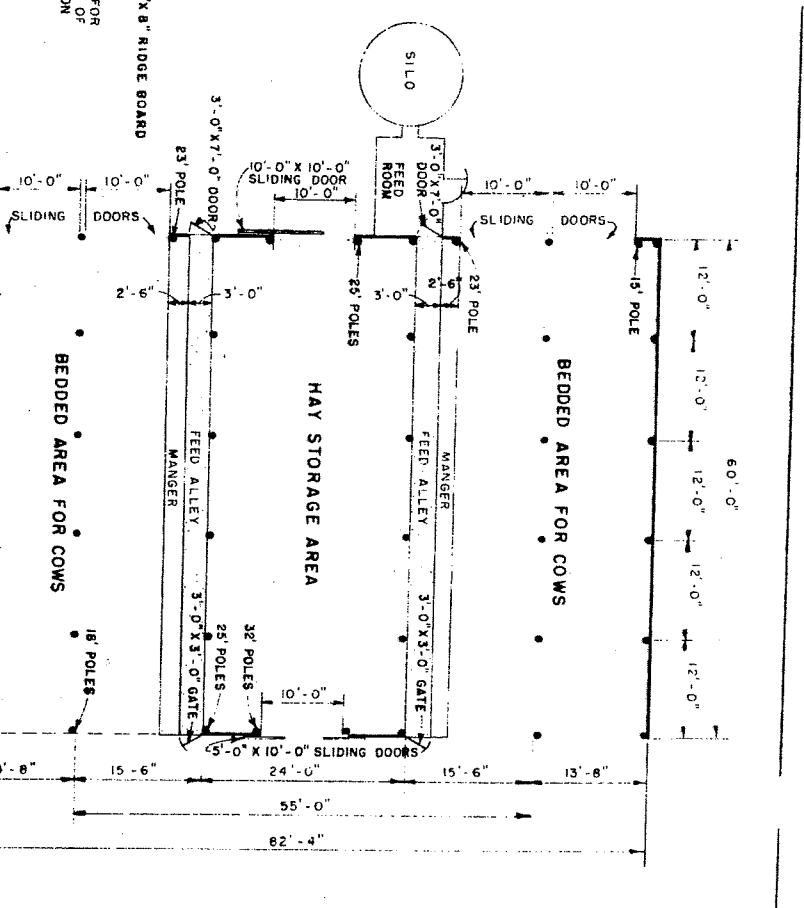
DETAILS OF MANGER
SCALE 1/2" = 1'-0"



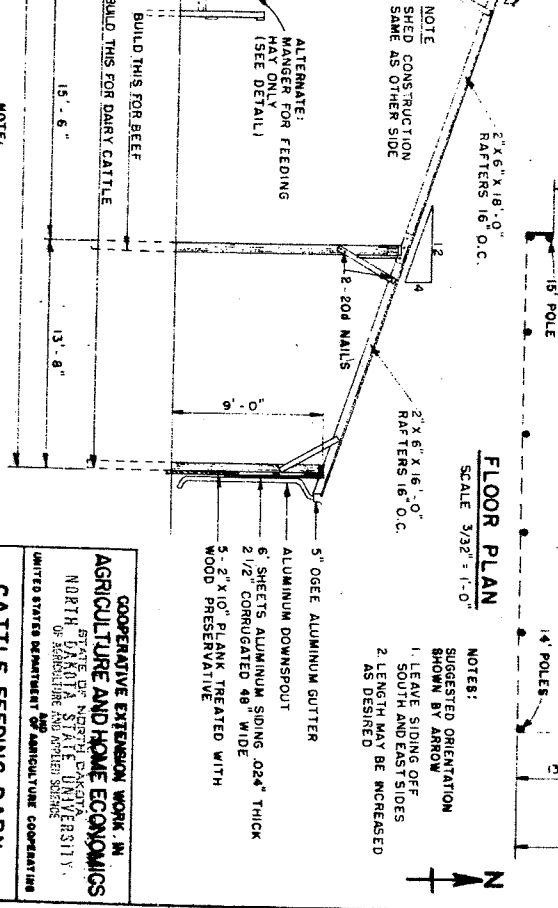
FRAMING DETAIL
SCALE 1" = 1'-0"



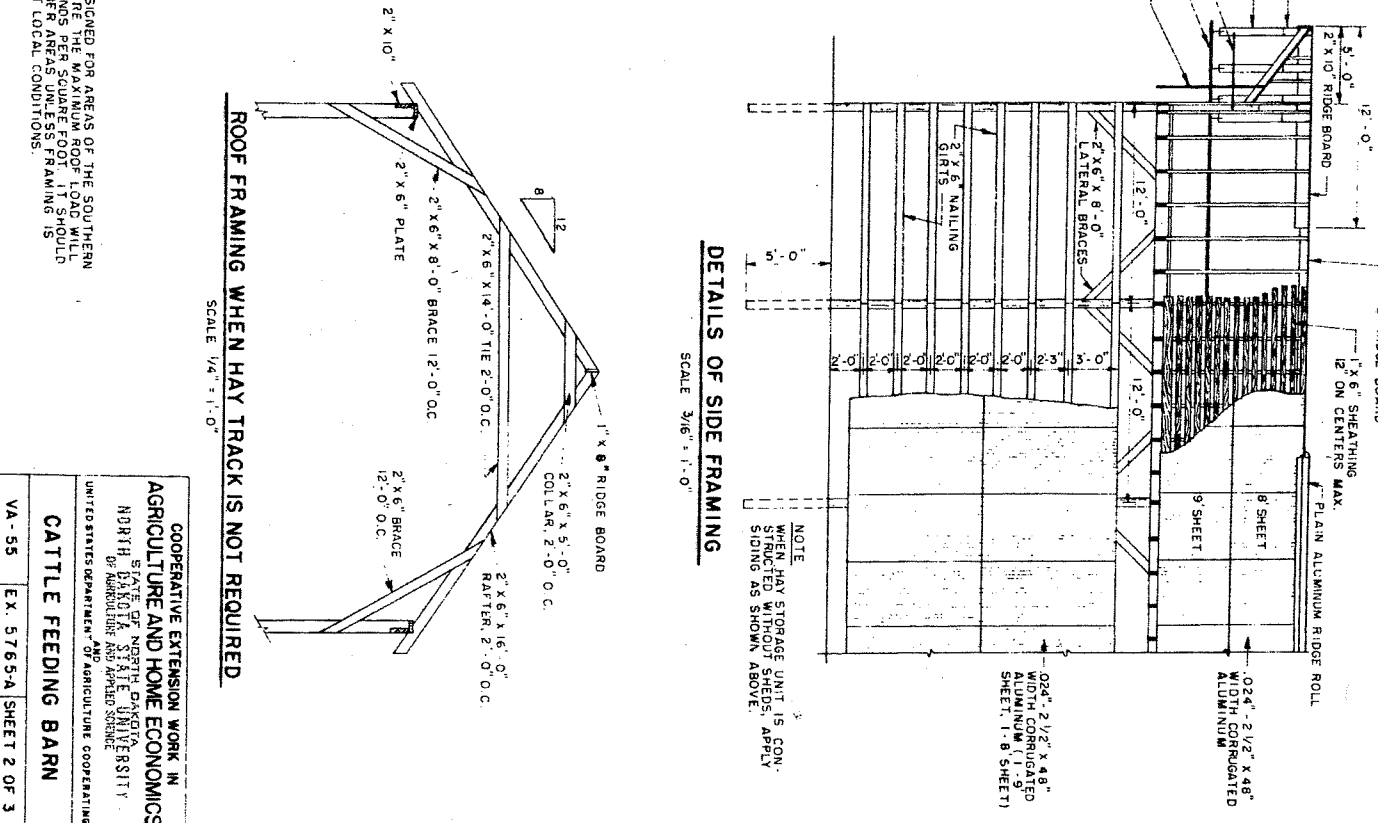
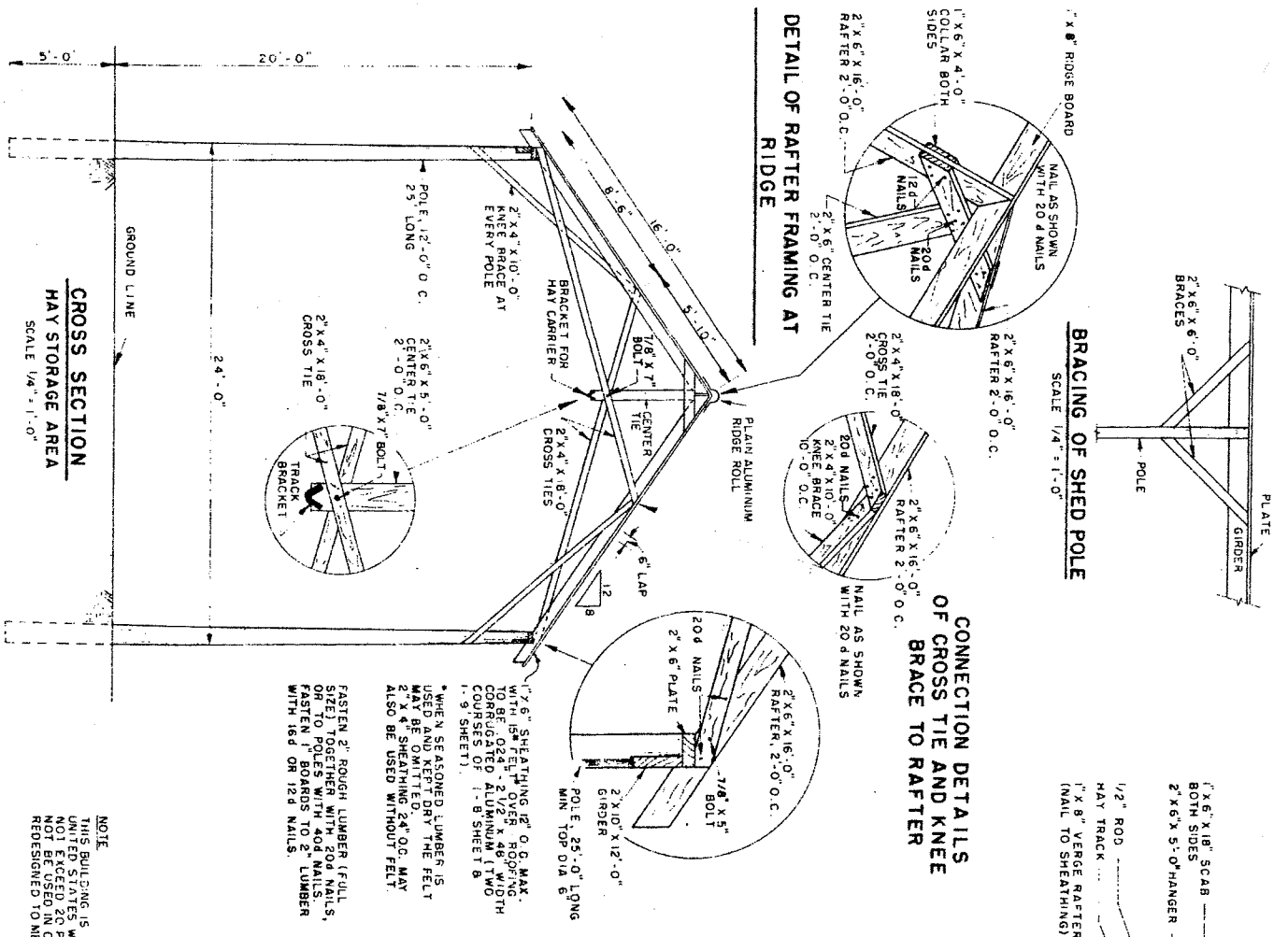
CROSS SECTION
SCALE 3/8" = 1'-0"



FLOOR PLAN
SCALE 3/32" = 1'-0"



COOPERATIVE EXTENSION WORK IN AGRICULTURE AND HOME ECONOMICS	
STATE OF NORTH DAKOTA NORTH DAKOTA STATE UNIVERSITY DAPHNE H. HARRIS, ASSISTANT PROFESSOR UNITED STATES DEPARTMENT OF AGRICULTURE COOPERATING	
CATTLE FEEDING BARN	
VA - 55	EX. 5752A SHEET 1 OF 3

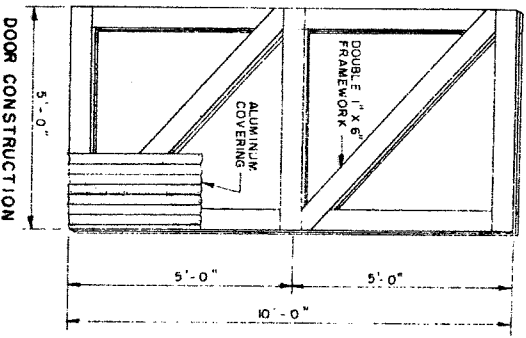
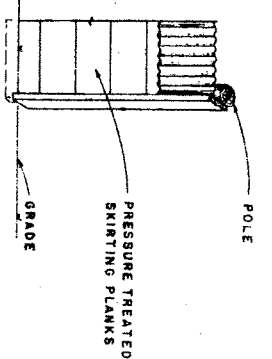
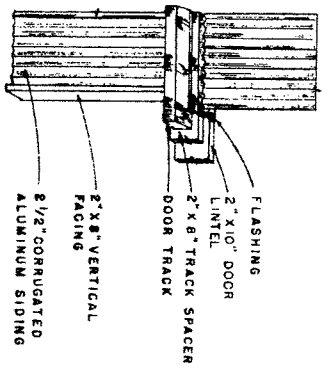


CROSS SECTION
HAY STORAGE AREA
SCALE 1/4" = 1'-0"

NOTE
THIS BUILDING IS DESIGNED FOR AREAS OF THE SOUTHERN UNITED STATES WHERE THE MAXIMUM ROOF SNOW LOAD DOES NOT EXCEED 20 POUNDS PER SQUARE FOOT. IT SHOULD NOT BE USED IN OTHER AREAS UNLESS FRAMING IS REDESIGNED TO MEET LOCAL CONDITIONS.

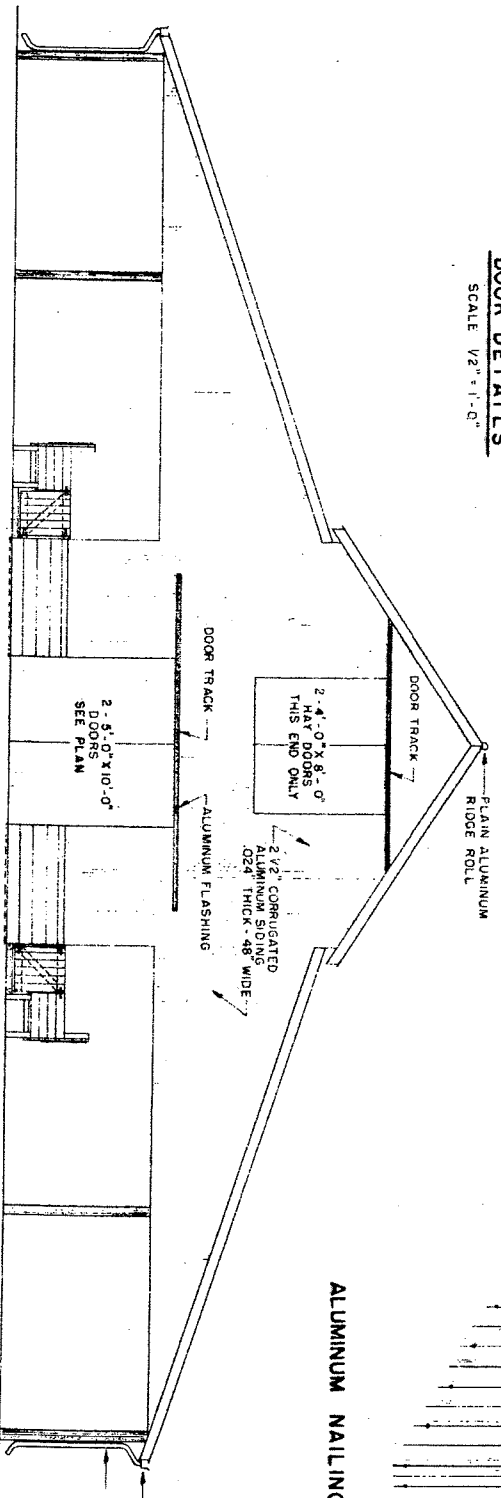
ROOF FRAMING WHEN HAY TRACK IS NOT REQUIRED
SCALE 1/4" = 1'-0"

COOPERATIVE EXTENSION WORK IN AGRICULTURE AND HOME ECONOMICS		
S. M. STANLEY, STATE COLLEGE OF MISSISSIPPI NORTH OF AUBURN, MISSISSIPPI		
UNITED STATES DEPARTMENT OF AGRICULTURE COOPERATING IN PART		
VA-55	EX. 5785-A	SHEET 2 OF 3
CATTLE FEEDING BARN		

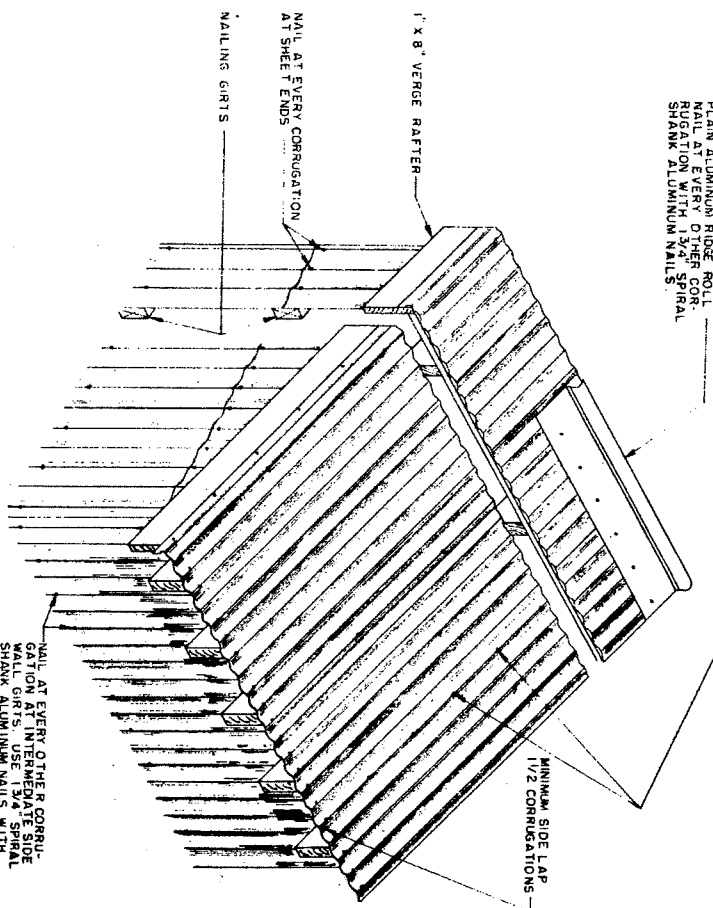


NOTE
 BUILD DOOR FRAME OF DOUBLE LAYER
 OF 1" X 6" LUMBER OVER APPLIED A
 CORNERS. COVER FRAME WITH 2 1/2"

DOOR DETAILS
 SCALE 1/2" = 1'-0"



EAST END ELEVATION
 SCALE 3/16" = 1'-0"



PLAIN ALUMINUM RIDGE ROLL
 BUILD TO EVERY OTHER COR-
 SHANK ALUMINUM NAILS.

NAIL AT EVERY CORRUGATION AT EAVES AND END LAPS AND 12"
 CENTERS AT SIDE LAPS. ON 8' SHEETS, PLACE 7 ROWS OF
 4 EQUALLY SPACED NAILS VERTICALLY ALONG EACH SHEET
 4 IN FROM THE SIDE LAPS, FOR 9' SHEETS OR LONGER, PLACE 6
 NAILS IN EACH ROW.

ALUMINUM NAILING DETAIL

NAIL AT EVERY OTHER CORRUGATION AT INTERMEDIATE SIDE
 WALL GIRTS. USE 1 3/4" SPIRAL
 ALUMINUM NAILS WITH
 NEOPRENE WASHERS.

COOPERATIVE EXTENSION WORK IN
 AGRICULTURE AND HOME ECONOMICS
 STATE OF NORTH DAKOTA
 NORTH DAKOTA STATE UNIVERSITY
 DEPARTMENT OF AGRICULTURE AND RURAL SCIENCE
 UNITED STATES DEPARTMENT OF AGRICULTURE COOPERATING

CATTLE FEEDING BARN
 VA-55 EX. 5765A SHEET 3 OF 3

TRACING FILE # 4425