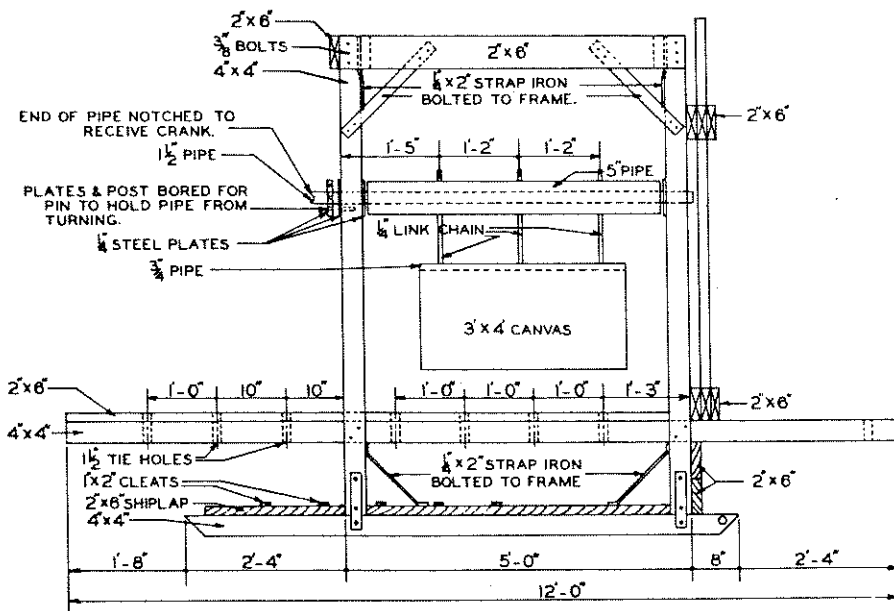
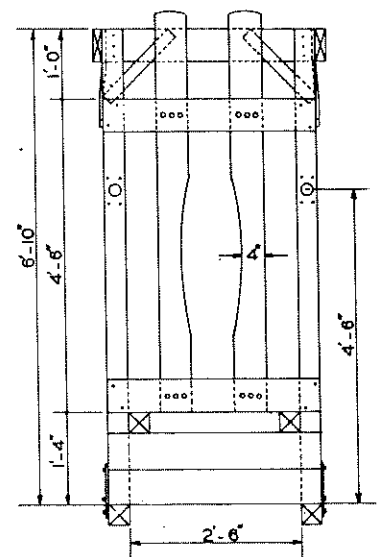


NOTE:
SKIDS AND OTHER WOOD PARTS SHOULD BE TREATED WITH PRESERVATIVE.
METAL PARTS TO BE GALVANIZED OR PAINTED.

ISOMETRIC VIEW

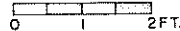


SIDE ELEVATION



FRONT ELEVATION

— CATTLE STOCKS —



COOPERATIVE EXTENSION WORK IN
AGRICULTURE AND HOME ECONOMICS
DEPARTMENT OF AGRICULTURAL ENGINEERING
UNIVERSITY OF MARYLAND
AND
UNITED STATES DEPARTMENT OF AGRICULTURE COOPERATING

CATTLE STOCKS

TENN. '31	EX. 5761	SHEET 1 OF 1
-----------	----------	--------------