

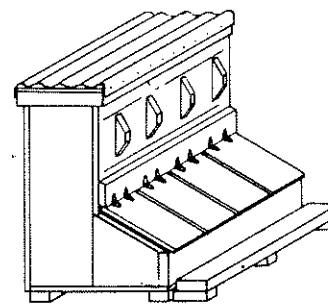
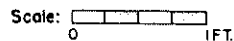
BILL OF MATERIAL

(Fir lumber is easier to work than hard pine.)

- 1 - 2" x 4" x 10'
- 1 - 2" x 12" x 8'
- 1 - 2" x 6" x 9'
- 1 - 1" x 12" x 14'
- 3 - 1" x 2" x 12'
- 1 - 1" x 4" x 4 1/2'
- 1 - 1/2" x 2" x 8'
- 1 - 3/8" x 1/2" x 10'

45 board feet shiplap (to cut 4'-2" and 2'-2")
 1 piece sheet iron 2' x 4'-9"
 4 prs. - 4" strap-hinges (heavy)
 Paint, 1/4 gal.
 Nails, 16d, 8d, 6d, 4d, 3d

NOTE:
 Place feeders back to back for double feeder.



COOPERATIVE EXTENSION WORK IN AGRICULTURE AND HOME ECONOMICS DEPARTMENT OF AGRICULTURAL ENGINEERING UNIVERSITY OF MARYLAND <small>AND</small> UNITED STATES DEPARTMENT OF AGRICULTURE COOPERATING		
SELF-FEEDER FOR HOGS		
TEX.	EX. 5756	SHEET 1 OF 1