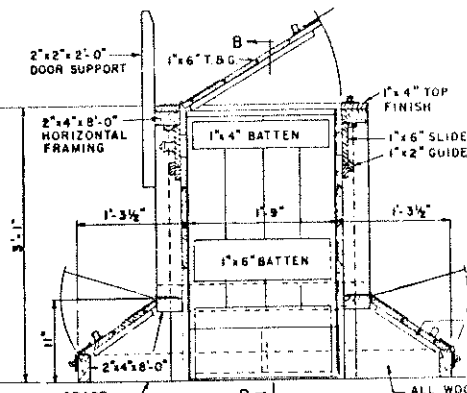
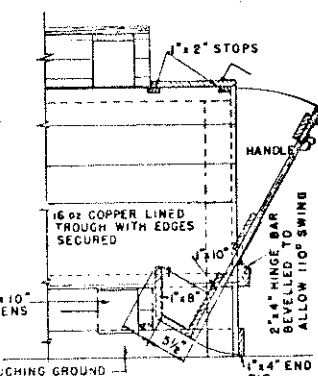


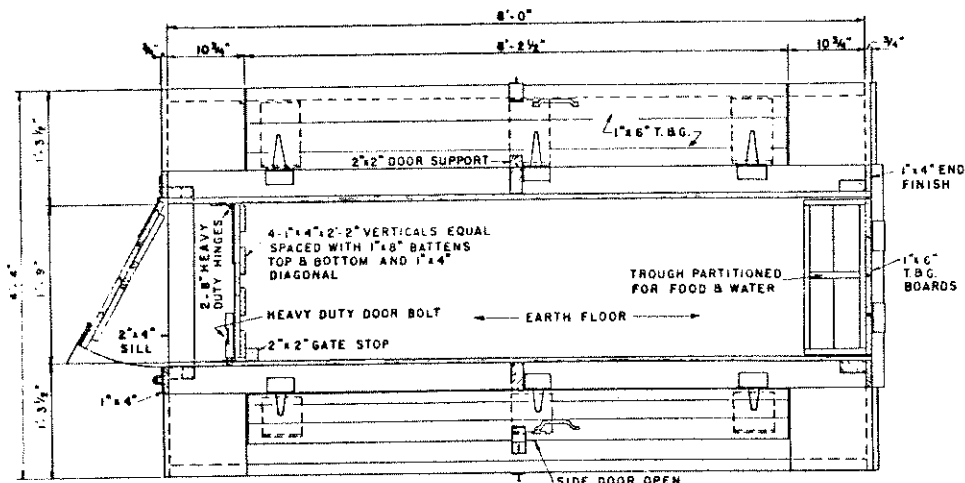
SIDE ELEVATION WITH FRONT & TOP DOORS OPEN



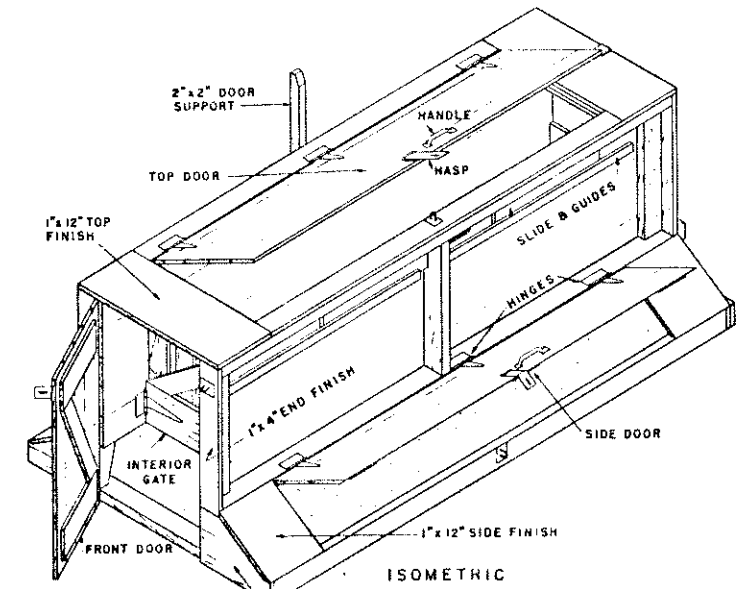
SECTION A-A



SECTION B-B THRU TROUGH



PLAN

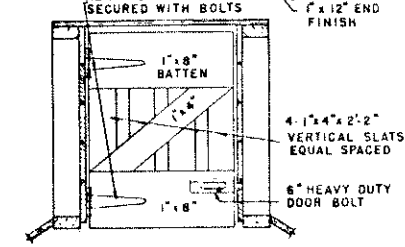


ISOMETRIC

- BILL OF MATERIALS**
- 6- 2x4x8-0 - HORIZONTAL FRAMING
 - 4- 2x4x3-0 - JAMB STUDS
 - 2- 2x4x2-0 - INTERMEDIATE STUDS
 - 1- 2x4x2-0 - SILL
 - 1- 2x4x2-6 - HINGE BAR
 - 2- 1x12x2-6 - TOP FINISH
 - 4- 1x12x1-3 1/2 - END FINISH
 - 4- 1x12x1-1 - SIDE FINISH
 - 2- 1x8x1-8 - GATE BATTENS
 - 4- 1x6x1-10 - VENT COVER SLIDES
 - 6- 1x6x1-7 - TOP & END DOOR BATTENS
 - 6- 1x6x10 - SIDE DOOR BATTENS
 - 10- 1x6x8-0 1/4 - T.B.G. SIDE SHEATHING
 - 10- 1x6x8-2 1/2 - T.B.G. TOP & SIDE DOOR SHEATHING
 - 6- 1x6x3-0 - T.B.G. FRONT & REAR DOOR SHEATHING
 - 2- 1x4x6-2 1/2 - TOP FINISH
 - 4- 1x4x2-2 - END FINISH
 - 1- 1x4x4-4 - END TIE

- 2- 1x4x2-6 - DOOR & GATE DIAGONALS
- 4- 1x4x2-2 - VERTICAL GATE SLATS
- 1- 1x4x1-7 - BACK DOOR BATTEN
- 2- 2x2x2-0 - GATE STOP & DOOR SUPPORT
- 12- 1x2x3-6 - SLIDE GUIDES
- 3- 1x2x1-9 - DOOR STOPS
- 13- 6" HINGES
- 2- 8" HEAVY DUTY HINGES
- 1- 6" HEAVY DUTY DOOR BOLT
- 5- SAFETY HASPS
- 4- 6" HANDLES
- 4.5 sq. ft. OF 16 oz. COPPER
- 4 SPOOLS
- 2 lbs. 6d NAILS
- 1 lb. 10d NAILS
- 160- 3/4" NO. 8 SCREWS
- 16- 1/4" x 2" CARRIAGE BOLTS

NOTE: 24ga GALV SHEET METAL MAY BE SUBSTITUTED FOR COPPER TROUGH LINING.



ELEVATION OF INTERIOR GATE

COOPERATIVE EXTENSION WORK IN AGRICULTURE AND HOME ECONOMICS
OREGON STATE COLLEGE
 UNITED STATES DEPARTMENT OF AGRICULTURE COOPERATING
HOG FARROWING CRATE
 USDA '51 5750 SHEET 1 OF 1

SWINE