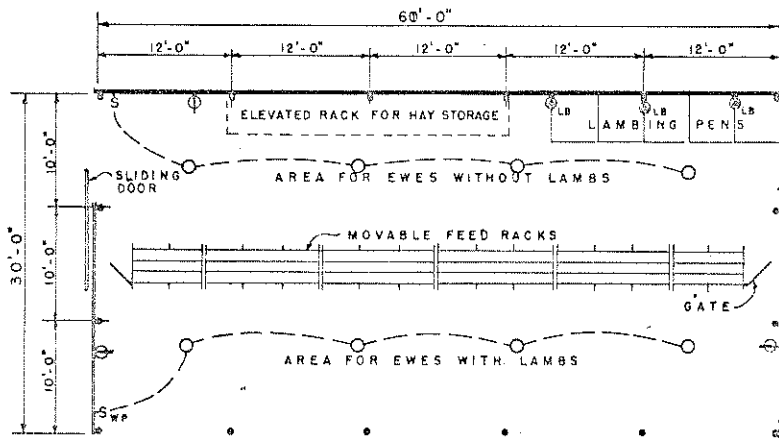


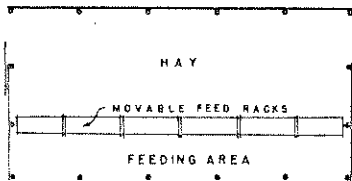
PERSPECTIVE VIEW



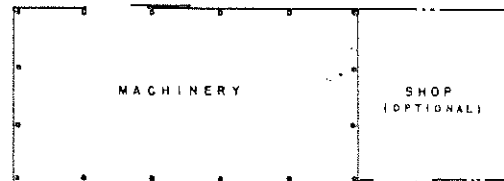
PLAN

0 4 8 12 FT.

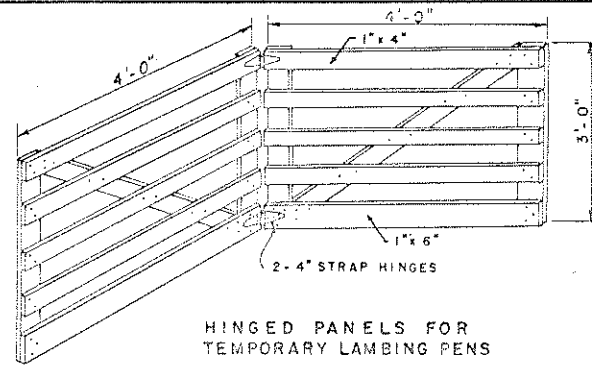
- NOTE: 1. CAPACITY 120 HEAD
 2. LENGTH OF BUILDING MAY BE VARIED IN UNITS OF 12 FEET.
 3. USE OF THE BUILDING AS CATTLE & HAY BARN OR MACHINERY STORAGE IS ILLUSTRATED BY SMALL PLANS BELOW. COMPLETE PLANS FOR EITHER OF THESE TYPES OF BUILDINGS MAY BE OBTAINED WHEN ORDERING, USE THE PLAN NUMBER INDICATED.



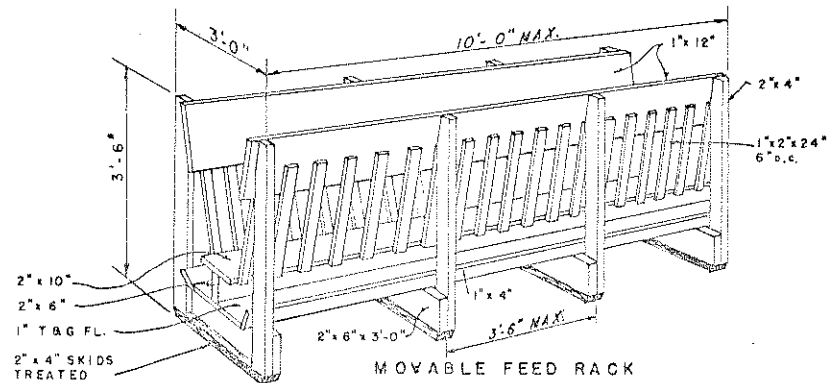
CATTLE & HAY BARN (EX. 5794)
CAPACITY 24 TO 32 HEAD



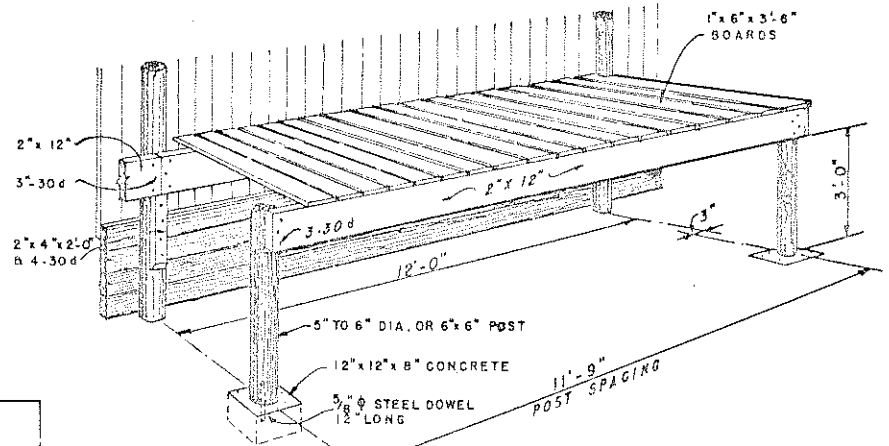
MACHINERY STORAGE (EX. 5734)



HINGED PANELS FOR TEMPORARY LAMBING PENS



MOVABLE FEED RACK



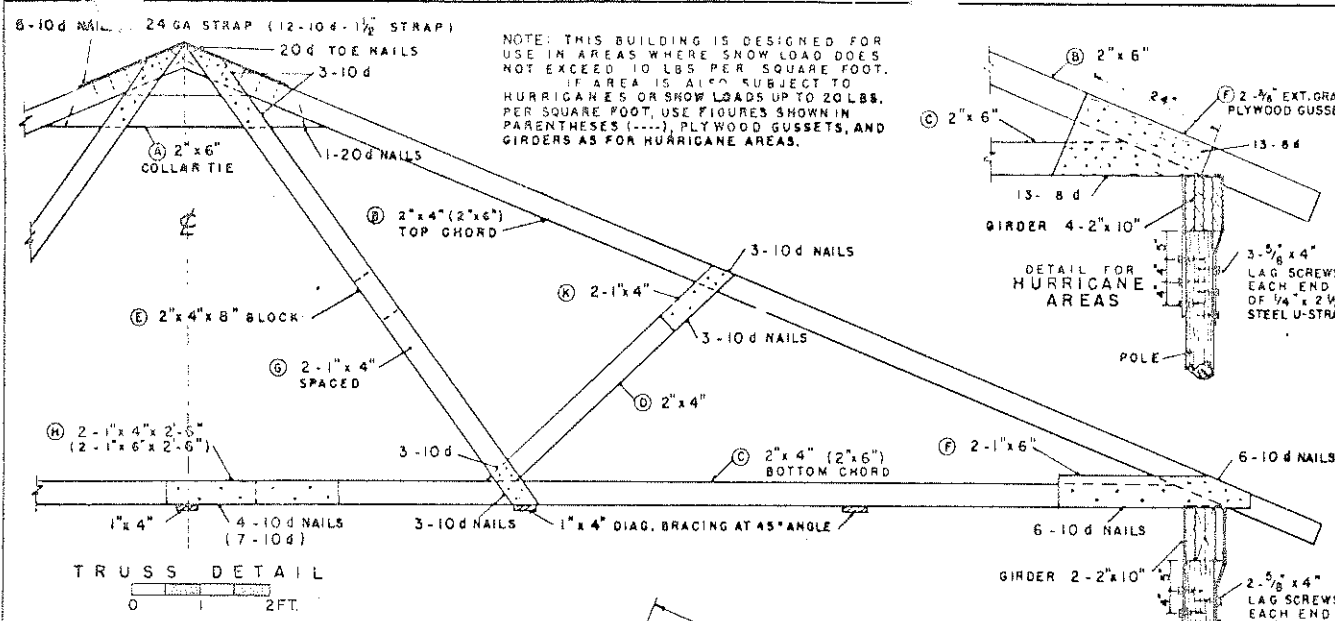
HAY STORAGE RACK

- WIRING LEGEND
 ○ LIGHT OUTLET
 Ⓛ LAMB BROODER
 S SINGLE POLE SWITCH
 ⊕ DUPLEX OUTLET
 S_{WP} WEATHERPROOF SWITCH

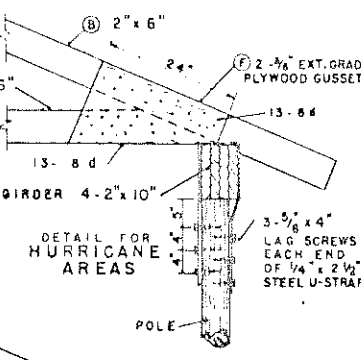
BASED ON VIRGINIA PLAN No. K 1,25

COOPERATIVE EXTENSION WORK IN AGRICULTURE AND HOME ECONOMICS DEPARTMENT OF AGRICULTURAL ENGINEERING UNIVERSITY OF MARYLAND AND UNITED STATES DEPARTMENT OF AGRICULTURE COOPERATING			
MULTI PURPOSE POLE BUILDING SHEEP SHED			
USDA	'55	EX. 5733	SHEET 1 OF 2

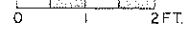
SHEEP



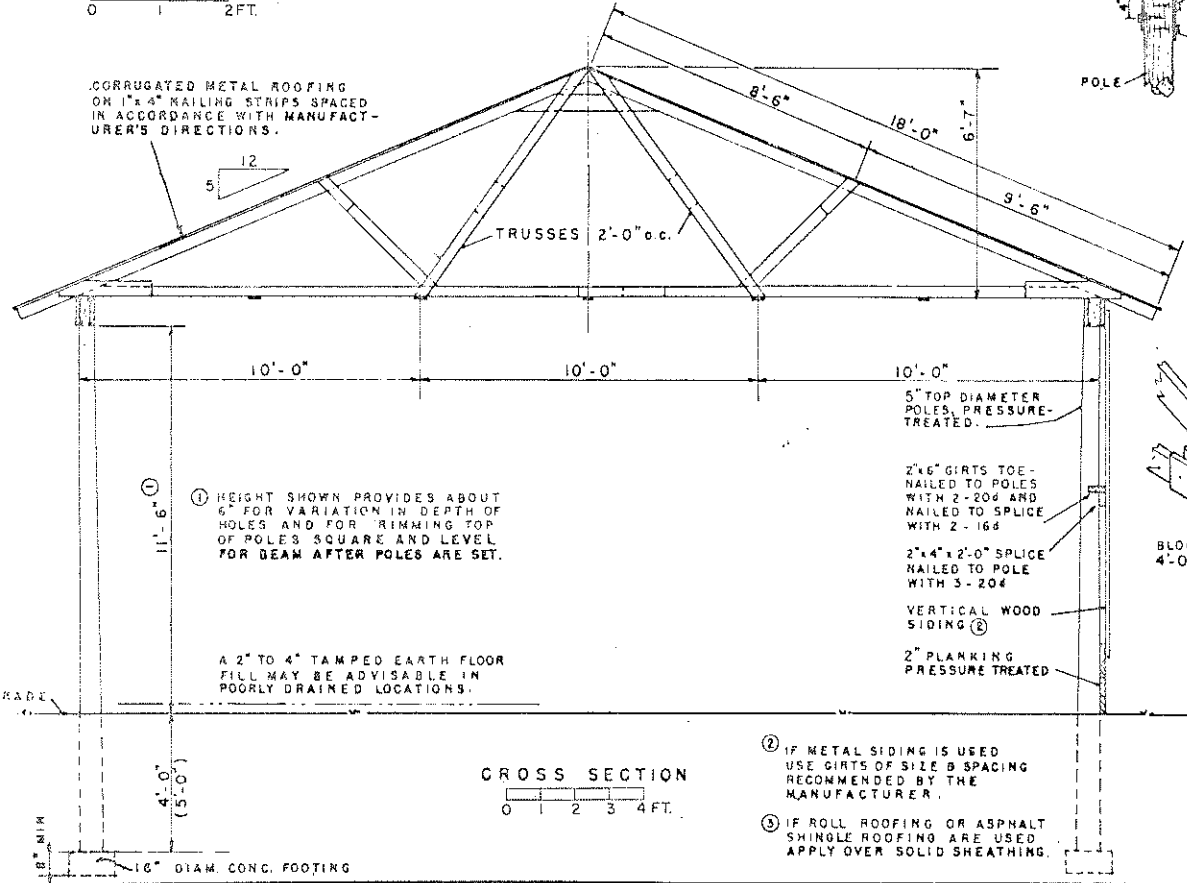
NOTE: THIS BUILDING IS DESIGNED FOR USE IN AREAS WHERE SNOW LOAD DOES NOT EXCEED 10 LBS PER SQUARE FOOT. IF AREA IS ALSO SUBJECT TO HURRICANE 5 OR SNOW LOADS UP TO 20 LBS. PER SQUARE FOOT, USE FIGURES SHOWN IN PARENTHESES (---), PLYWOOD GUSSETS, AND GIRDERS AS FOR HURRICANE AREAS.



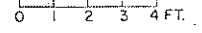
TRUSS DETAIL



CORRUGATED METAL ROOFING ON 1"x4" NAILING STRIPS SPACED IN ACCORDANCE WITH MANUFACTURER'S DIRECTIONS.



CROSS SECTION

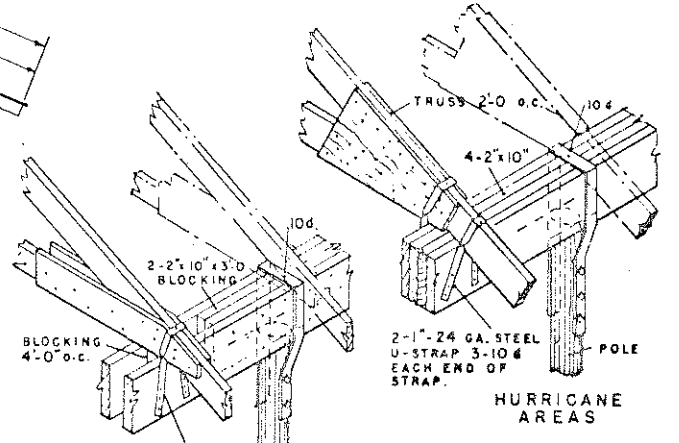


- (2) IF METAL SIDING IS USED USE GIRTS OF SIZE B SPACING RECOMMENDED BY THE MANUFACTURER.
- (3) IF ROLL ROOFING OR ASPHALT SHINGLE ROOFING ARE USED APPLY OVER SOLID SHEATHING.

LIST OF MATERIALS

THIS LIST OF MATERIALS IS PREPARED FOR ESTIMATING PURPOSES. IF USED FOR THE PURCHASE OF MATERIALS, THE QUANTITIES SHOULD BE VERIFIED BY THE BUILDER.

ITEM	NORMAL AREAS		HURRICANE AREAS	
	SIZE	PCS.	SIZE	PCS.
TRUSSES (TOTAL 31)				
(A) COLLAR TIE	2" x 6" x 14'-0"	8	2" x 6" x 12'-0"	8
(B) TOP CHORD	2" x 4" x 18'-0"	62	2" x 6" x 18'-0"	62
(C) BOTTOM CHORD	2" x 4" x 14'-0"	31	2" x 6" x 14'-0"	31
(D) STRUT & (E) BLOCK	2" x 4" x 16'-0"	31	2" x 6" x 16'-0"	31
(F) GUSSET	2" x 4" x 10'-0"	31	2" x 4" x 10'-0"	31
(G) TIE & (K) SCAB	1" x 6" x 12'-0"	31	4" x 8" x 12'-0" EXT. PLY	8
(H) PAD	1" x 4" x 10'-0"	16	1" x 6" x 10'-0"	16
DIAGONAL BRACING	1" x 4" 521 LIN. FT.		1" x 4" 521 LIN. FT.	
POLES (PRESSURE TREAT)	16'-0" LONG	16	17'-0" LONG	14
NAILING GIRTS	2" x 4" x 16'-0"	4	2" x 6" x 16'-0"	4
	2" x 6" x 12'-0"	5	2" x 8" x 12'-0"	5
	2" x 8" x 10'-0"	8	2" x 8" x 10'-0"	8
	2" x 10" x 10'-0"	3	2" x 10" x 10'-0"	3
SPLASH BOARDS PRESSURE TREATED	2" x 6" x 12'-0"	20	2" x 6" x 12'-0"	20
	2" x 6" x 10'-0"	20	2" x 6" x 10'-0"	20
GIRDERS	2" x 10" x 12'-0"	20	2" x 10" x 12'-0"	40
BLOCKING	2" x 4" x 16'-0"	2	2" x 4" x 15'-0"	2
	2" x 4" x 10'-0"	2	2" x 4" x 10'-0"	2
	2" x 10" x 12'-0"	6	2" x 10" x 12'-0"	4
SPLICE	2" x 4" x 12'-0"	2	2" x 4" x 12'-0"	2
VERGE BOARDS	1" x 6" x 18'-0"	4	1" x 6" x 18'-0"	4
SIDING & DOORS: 1699 B.M. 1" BOARDS OR 16 SQS. OF MET. SIDING				
ROOF SHEATHING: 2500 B.M. 1" BOARDS				
ROOFING: 23 SQUARES - 62' RIDGE CAP				
HARDWARE: 2 DOOR HANGERS SLIDING DOOR TRACK 20', GUTTERS, DOWNSPOUTS, NAILS, STRAPS & PAINT.				
FOR METAL ROOF: SPACED ROOF SHEATHING 2432' OF 1" x 4" WOOD STRIPS 12 & 14 FT. LENGTHS				



HURRICANE AREAS

NORMAL AREAS

COOPERATIVE EXTENSION WORK IN AGRICULTURE AND HOME ECONOMICS
 DEPARTMENT OF AGRICULTURAL ENGINEERING
 UNIVERSITY OF MARYLAND
 AND
 UNITED STATES DEPARTMENT OF AGRICULTURE COOPERATING
 MULTI PURPOSE POLE BUILDING SHEEP SHED
 USDA '55 EX. 5733 SHEET 2 OF 2

SHEEP