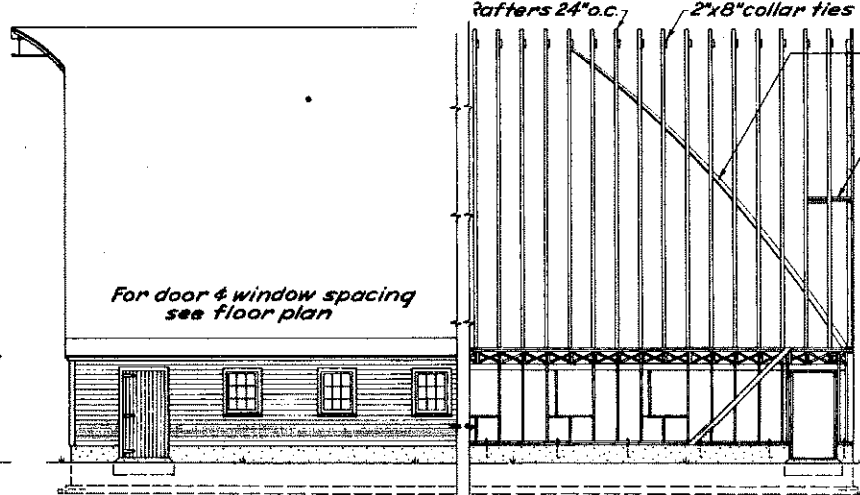


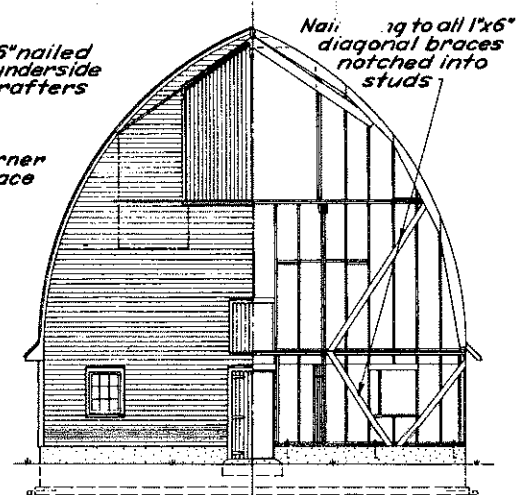
1/2 END FRAMING FACE-OUT BARN



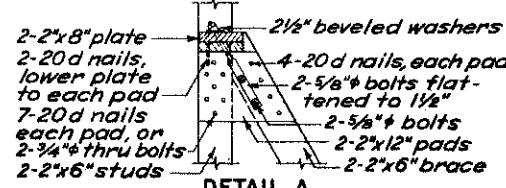
PART SIDE ELEVATION

Scale: 1/8" = 1'-0"

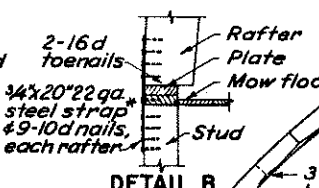
PART SIDE FRAMING



1/2 END ELEVATION FACE-IN BARN

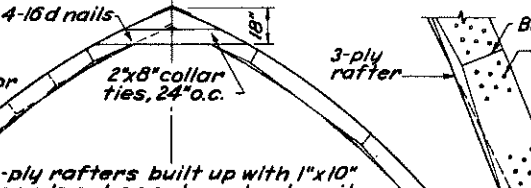


DETAIL A



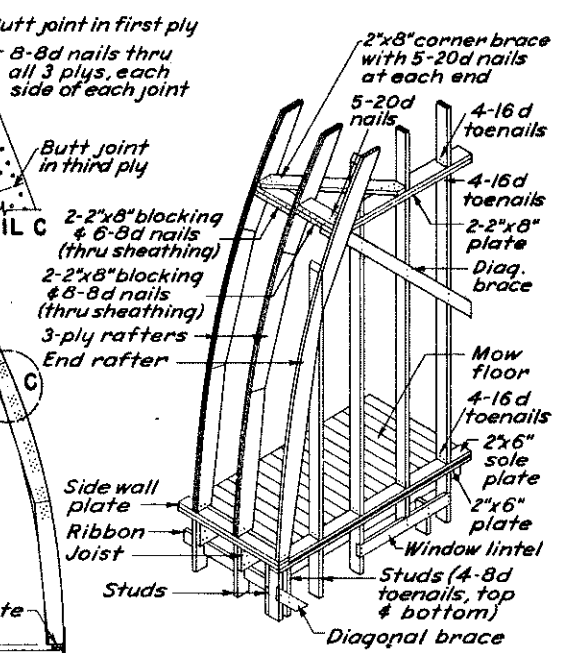
DETAIL B

* Similar strap is required at ridge (Use 8-10d nails)

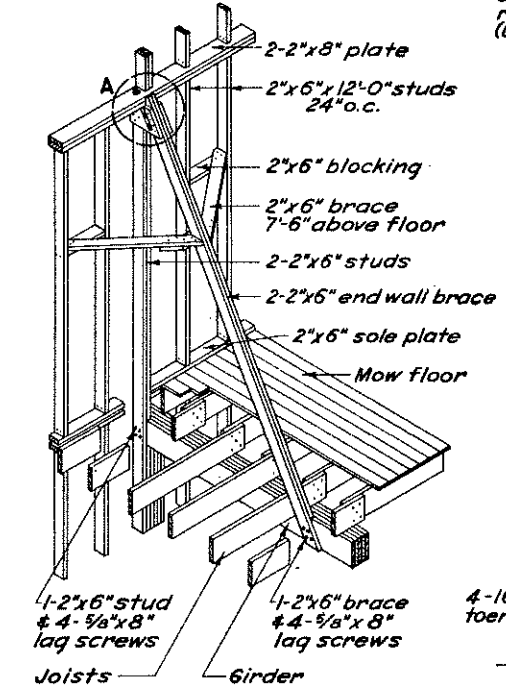


3-ply rafters built up with 1"x10" boards cut on outer edge to suit radius given. All butts staggered 2'-0". (See detail of nailing) Each ply consists of five 6'-0" sections, plus the following:
First ply - 4'-0" section at ridge
Center - 2'-0" each end
Third - 4'-0" at plate

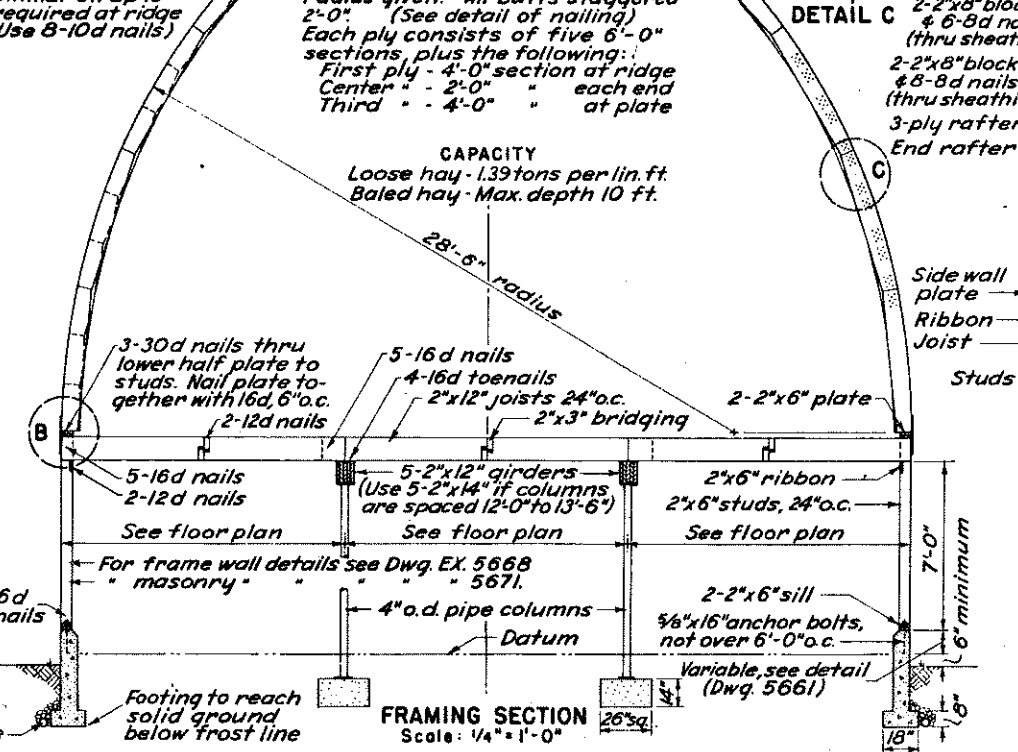
DETAIL C



FRAMING AT CORNER



END WALL BRACE (4 required)



FRAMING SECTION

Scale: 1/4" = 1'-0"

COOPERATIVE EXTENSION WORK IN AGRICULTURE AND HOME ECONOMICS
STATE OF NORTH DAKOTA
NORTH DAKOTA AGRICULTURAL COLLEGE
AND
UNITED STATES DEPARTMENT OF AGRICULTURE COOPERATING

TWO-STORY GOTHIC BARN FRAMING
36 FOOT WIDTH

USDA	EX. 5688	SHEET 1 OF 1
------	----------	--------------