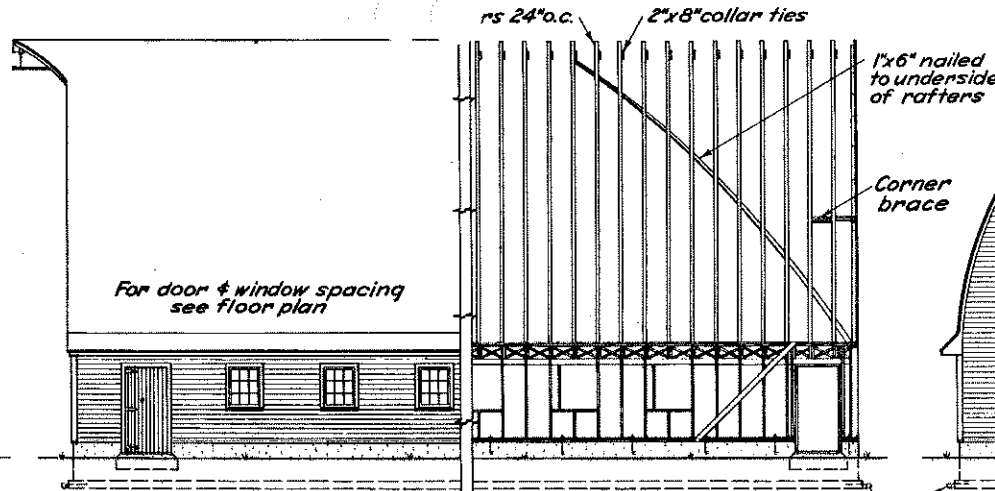


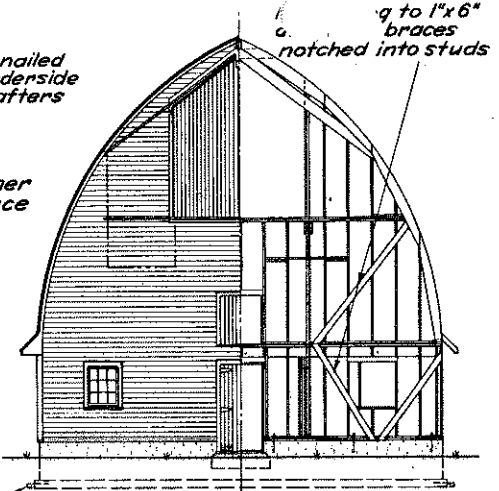
1/2 END FRAMING 1/2 END ELEVATION
FACE-OUT BARN



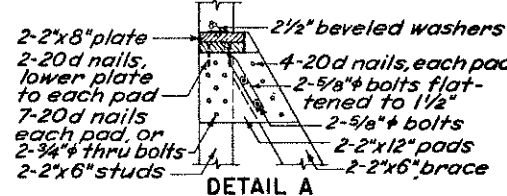
PART SIDE ELEVATION

PART SIDE FRAMING

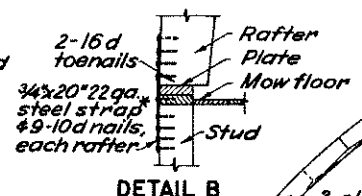
Scale: 1/8" = 1'-0"



1/2 END ELEVATION 1/2 END FRAMING
FACE-IN BARN

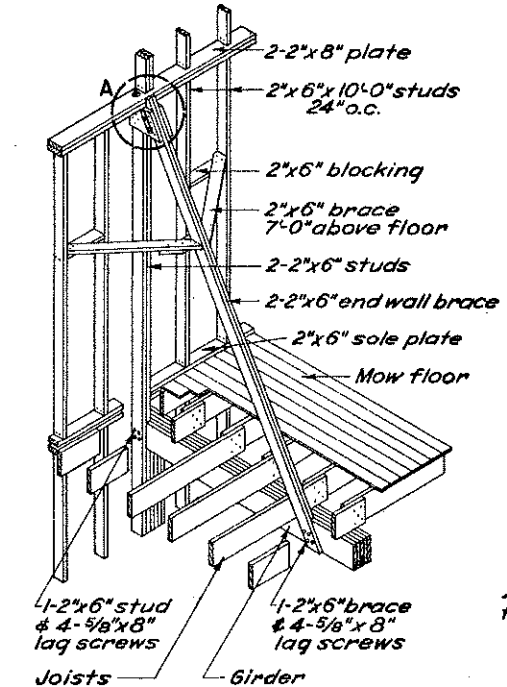


DETAIL A

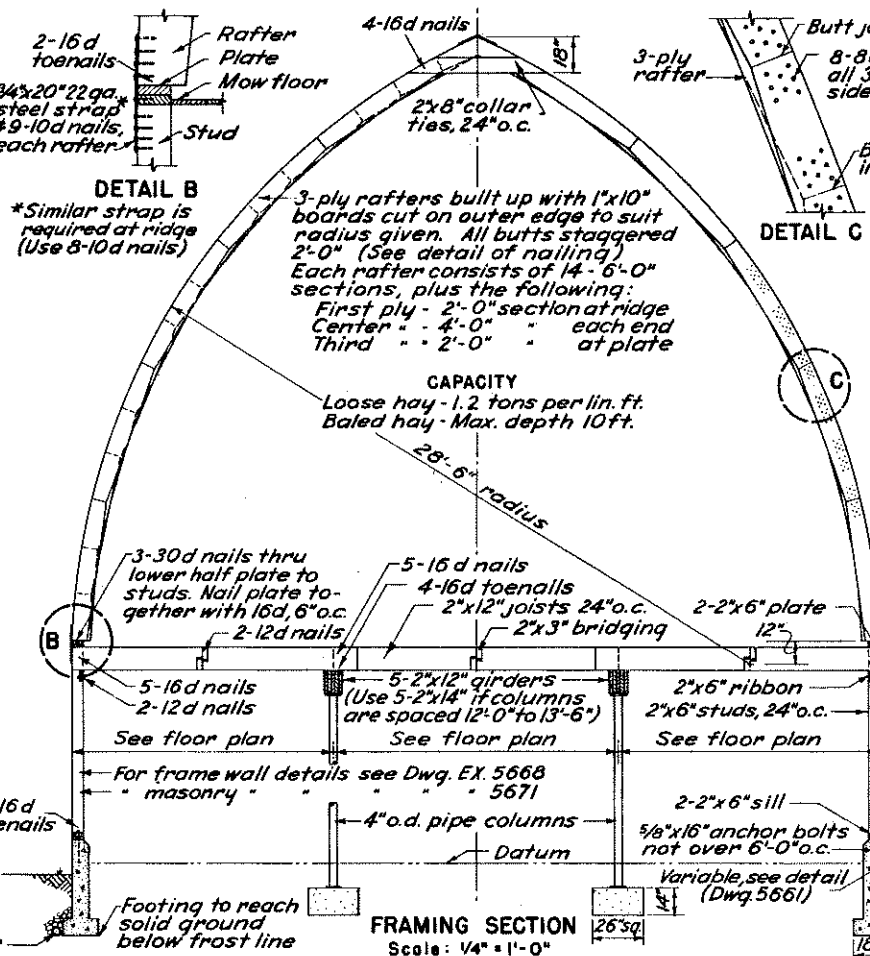


DETAIL B

*Similar strap is required at ridge (Use 8-10d nails)



END WALL BRACE
(4 required)

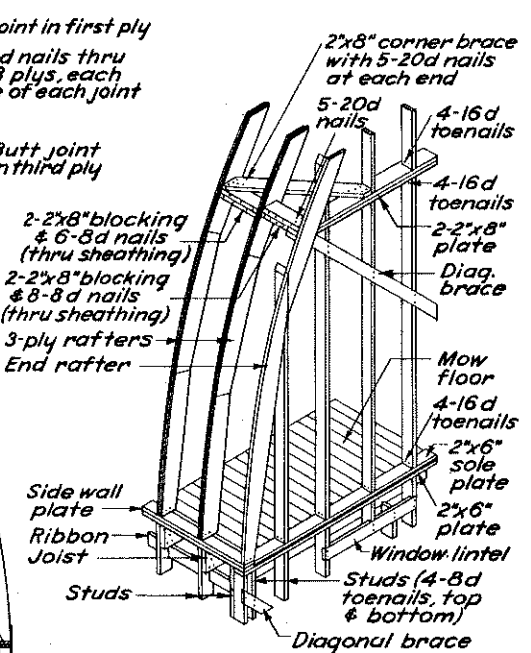


FRAMING SECTION
Scale: 1/4" = 1'-0"

CAPACITY
Loose hay - 1.2 tons per lin. ft.
Baled hay - Max. depth 10ft.

29'-6" radius

3-ply rafters built up with 1"x10" boards cut on outer edge to suit radius given. All butts staggered 2'-0" (See detail of nailing). Each rafter consists of 14 - 6'-0" sections, plus the following:
First ply - 2'-0" section at ridge
Center - 4'-0" each end
Third - 2'-0" at plate



FRAMING AT CORNER

COOPERATIVE EXTENSION WORK IN
AGRICULTURE AND HOME ECONOMICS
STATE OF NORTH DAKOTA
NORTH DAKOTA AGRICULTURAL COLLEGE
AND
UNITED STATES DEPARTMENT OF AGRICULTURE COOPERATING

TWO-STORY GOTHIC BARN FRAMING
34 FOOT WIDTH

USDA	EX. 5687	SHEET 1 OF 1
------	----------	--------------