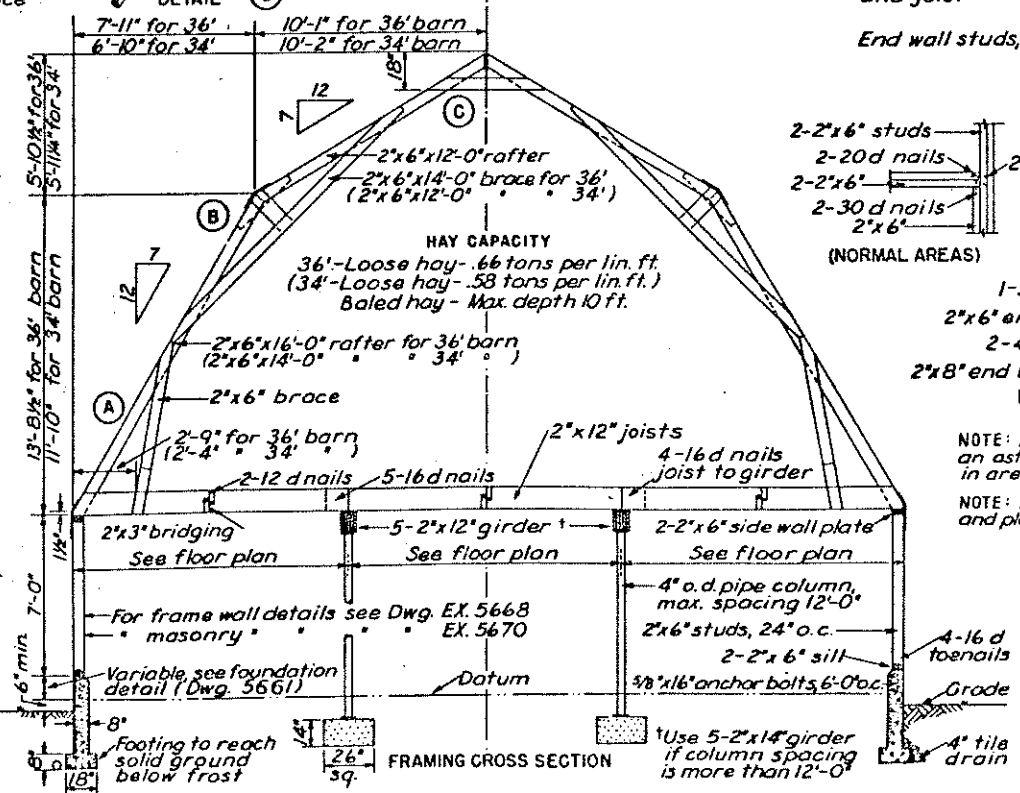
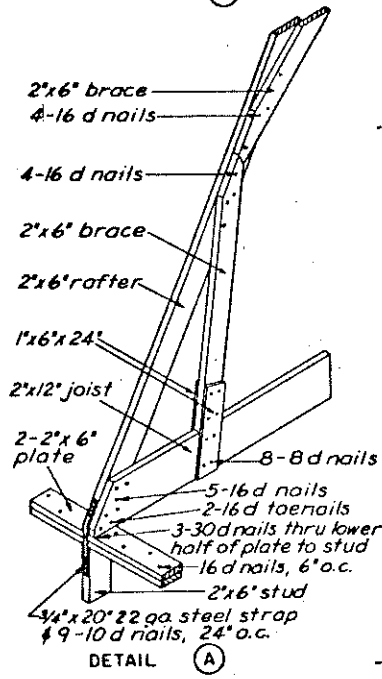


NOTE: All details and nailing marked with an asterisk (*) are recommended for use in areas subject to hurricanes.

NOTE: In hurricane areas, 2"x8" sills, studs and plates shall be used for end wall framing.



COOPERATIVE EXTENSION WORK IN AGRICULTURE AND HOME ECONOMICS

UNITED STATES DEPARTMENT OF AGRICULTURE COOPERATING

1 1/2 STORY BRACED RAFTER BARN FRAMING
34 FOOT & 36 FOOT WIDTH

USDA '48 EX. 5660 SHEET 1 OF 1