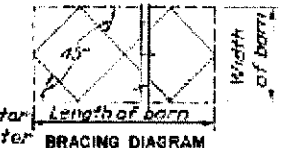
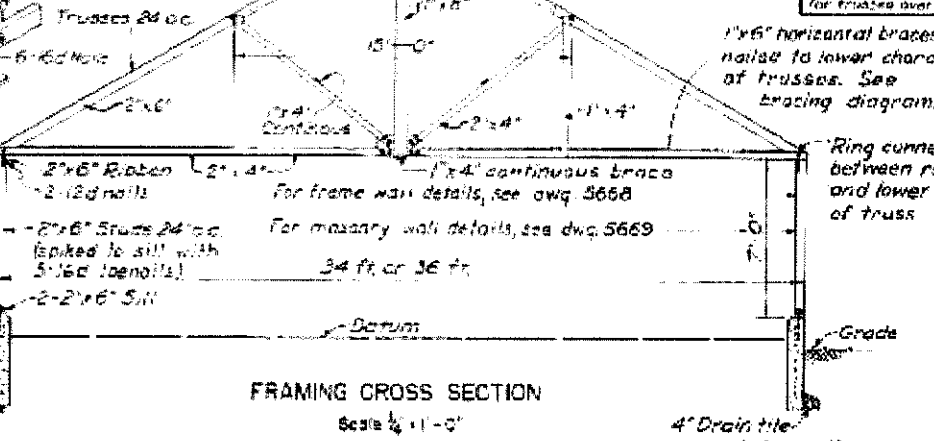
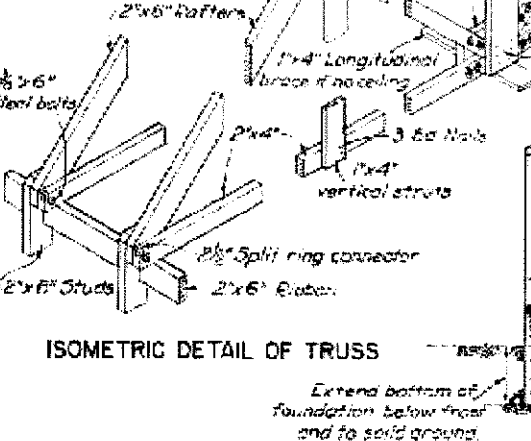


FRAMING MATERIAL FOR ONE ROOF TRUSS		
MATERIAL	34 FOOT BARN	36 FOOT BARN
RAFTERS	2 - 2x6x4' 2 - 2x6x6'	2 - 2x6x4' 2 - 2x6x6'
RAFTER SPLICES	4 - 1x6x2'	4 - 1x6x2'
LOWER TIES	2 - 2x4x8'	2 - 2x4x8'
CENTER VERTICALS	1 - 1x8x12'	1 - 1x8x12'
SIDE VERTICALS	2 - 1x4x8'	2 - 1x4x6'
BRACES	2 - 2x4x8'	2 - 2x4x10'
CELLAR TIE	1 - 2x4x2'	1 - 2x4x2'
BOTTOM TIE BLOCKS	1 - 2x10x2'	1 - 2x10x2'

2-2x4 Split ring connectors, 12-1/2" x 4" steel bolts, 2-1/2" x 4" steel nuts, 2-1/2" x 8" steel bolts, 10-1/2" x 8" nails & 10-1/2" nails per truss, 2-1/2" x 4" steel straps for trusses over windows.



COOPERATIVE EXTENSION WORK IN AGRICULTURE AND HOME ECONOMICS
STATE OF NORTH DAKOTA
NORTH DAKOTA AGRICULTURAL COLLEGE
AND
UNITED STATES DEPARTMENT OF AGRICULTURE COOPERATING

GABLE ROOF BARN FRAMING
34 FOOT OR 36 FOOT WIDTH

USDA 418 EXT. 6659 SHEET OF 1

5059