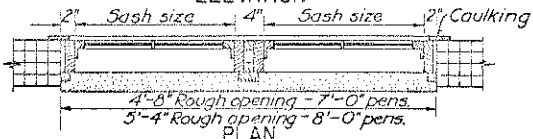
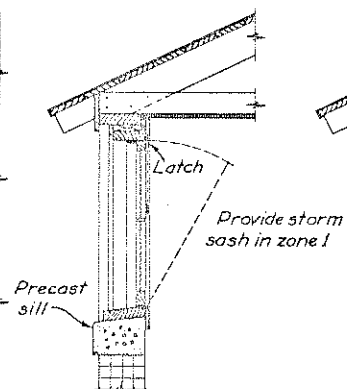


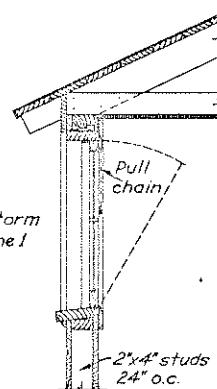
ELEVATION



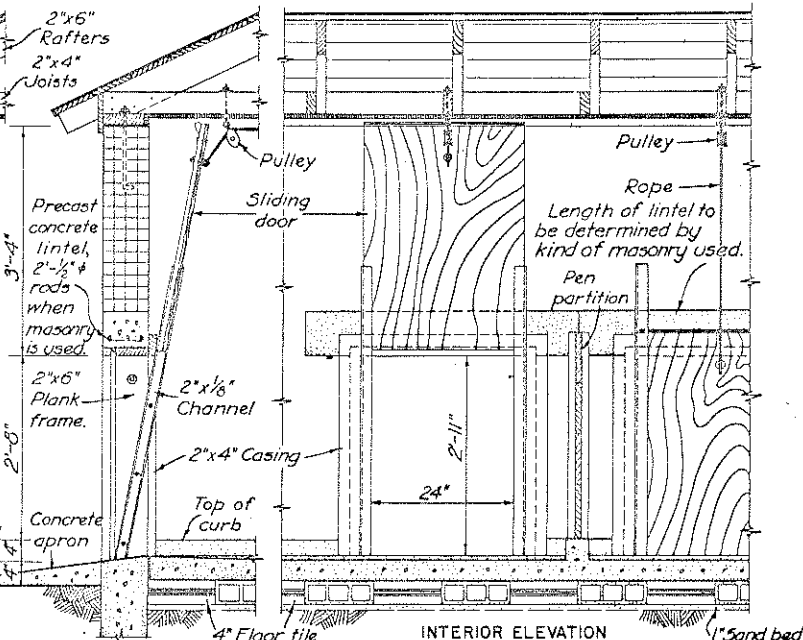
Note: Sash size for double windows are as follows.  
 7'-0" pens 2'-0" x 2'-5"  
 8'-0" pens 2'-4" x 2'-5"  
 Single windows 2'-4" x 2'-5"



MASONRY SECTION



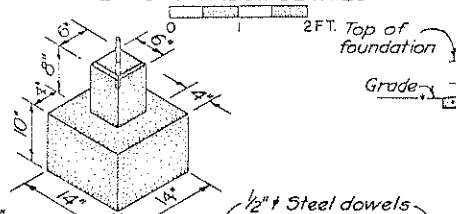
FRAME SECTION



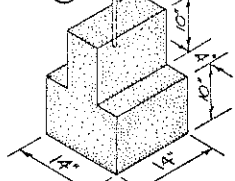
SECTION THRU DOOR

HOG EXIT DOOR DETAILS

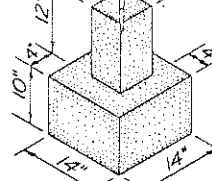
TILTING IN WINDOW DETAILS



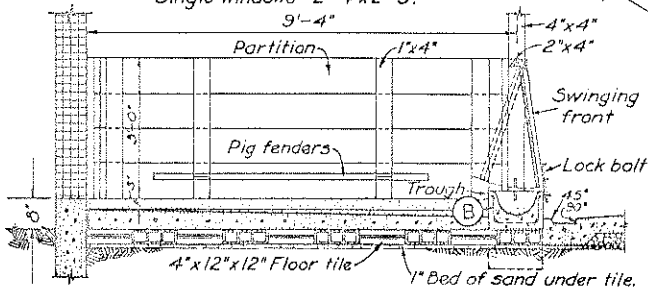
PIERS (N)



PIERS (L)

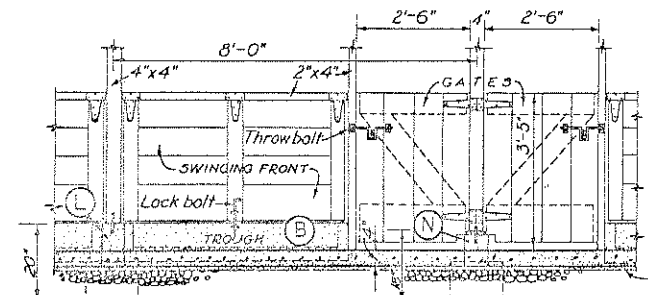


PIERS (M)

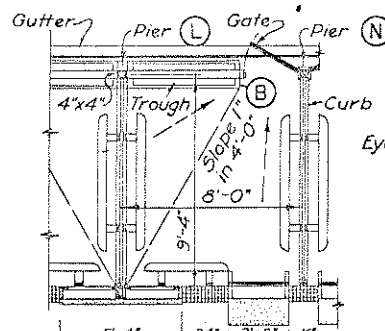


CROSS SECTION OF PEN (ALTERNATE)

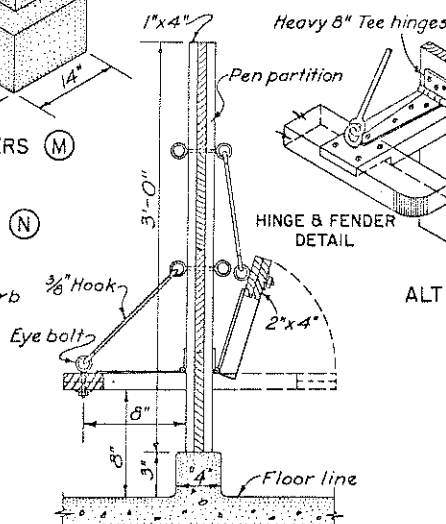
Note: All partitions to be made of 1" solid boards.  
 Partitions for warm areas to be at least 42" high and made of 1" board 1/2" apart.



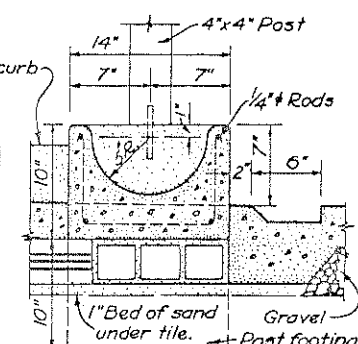
ALTERNATE PEN FRONT



ALTERNATE PLAN OF 8 FOOT TROUGH TYPE PEN



SECTION OF TYPICAL PEN PARTITION



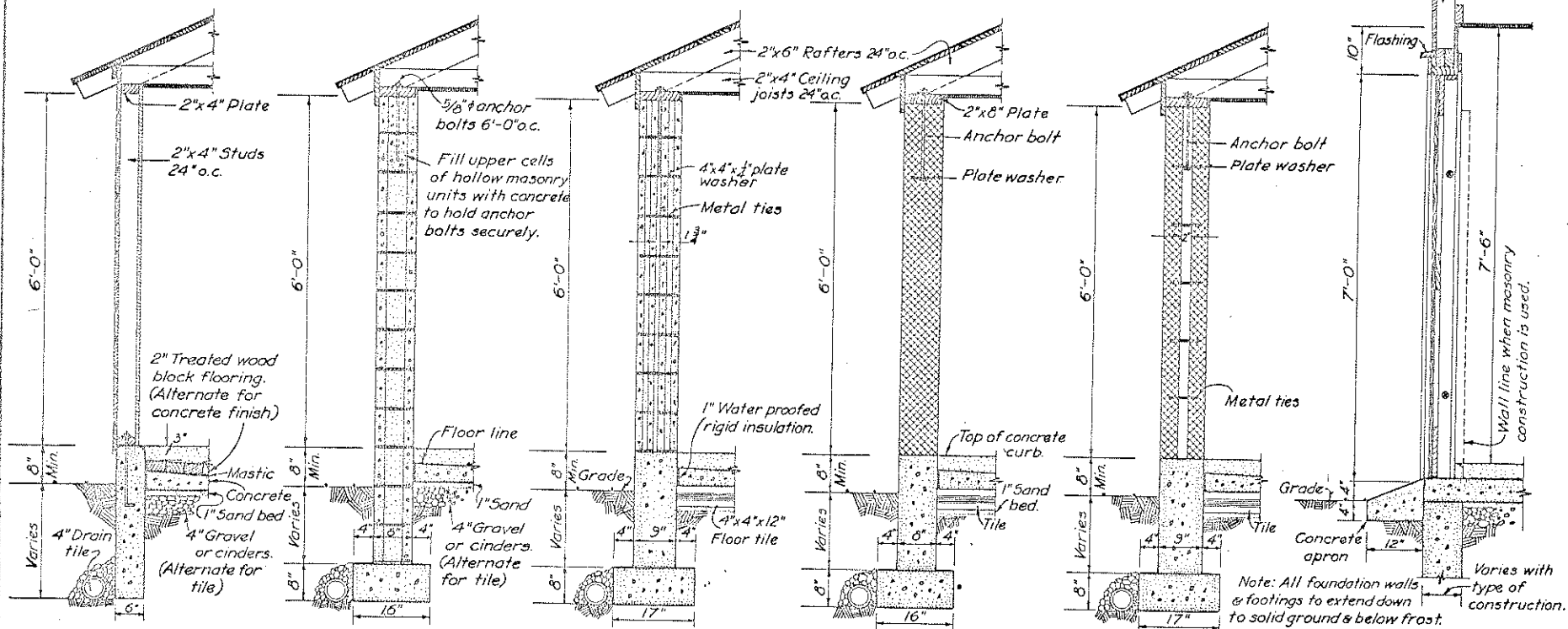
ALTERNATE TROUGH DETAIL (B)  
 PRECAST CONCRETE

COOPERATIVE EXTENSION WORK IN  
 AGRICULTURE AND HOME ECONOMICS  
 DEPARTMENT OF AGRICULTURAL ENGINEERING  
 UNIVERSITY OF MARYLAND  
 AND  
 UNITED STATES DEPARTMENT OF AGRICULTURE COOPERATING

FARROWING HOUSE

USDA '47 EX. 5641 SHEET 2 OF 3

SUGGESTED WALL SECTIONS WITH VARIOUS INSULATING VALUES



**FRAME WALL**  
Insulating value as shown—3.7  
With 1/2\"/>

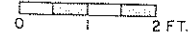
**8\"/>

**9\"/>

**8\"/>

**9\"/>

**END WALL DOOR DETAIL**********

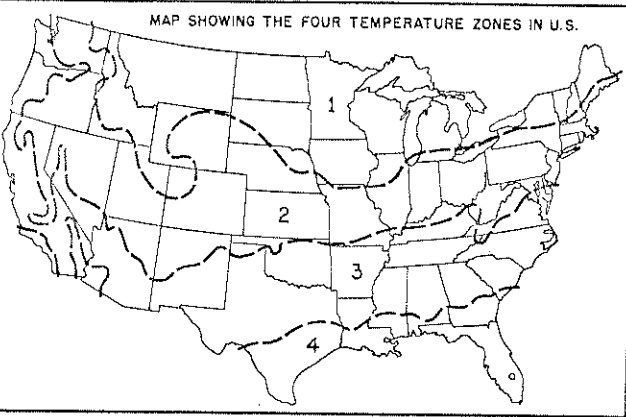


SUGGESTED CEILING CONSTRUCTION WITH INSULATING VALUES

TYPE	MATERIAL	APPROXIMATE INSULATING VALUE - R
Rigid insulation board Joist Vapor barrier	With 1\"/>	
	With 3/4\"/>	
	With 1/2\"/>	
Rigid insulation board Vapor barrier 3/4\"/>		
	With 3/4\"/>	
	With 1/2\"/>	
Fill, batt, or blanket insulation	With 3 1/2\"/>	
	With 3 1/2\"/>	
	With 3\"/>	
1/4\"/>		
	With 2\"/>	
	With 1\"/>	
Insulation 3/4\"/>		
	With 1 1/2\"/>	
	With 1\"/>	

NOTE: Unless the vapor seal on commercial insulation is guaranteed to stand up under continued exposure to high humidity the vapor barrier may be 2-coats of asphalt or aluminum flake paint.

NOTE: To select wall and ceiling construction having satisfactory insulating value: (1.) Consult map below to determine zone in which house will be built. (2.) Determine insulating value suitable for zone from table of suggested combinations of wall and ceiling insulating values below. (3.) Select a combination of wall and ceiling construction having insulating values at least as high as recommended in table.



SUGGESTED COMBINATIONS OF WALL AND CEILING INSULATING VALUES				
ZONE 1		ZONE 2		ZONES 3 & 4
WALLS	CEILING	WALLS	CEILING	
3.7	12.0	2.4	9.1	In zones 3 & 4 any of the uninsulated walls and ceilings shown are suitable.
5.0	7.7	2.8	6.7	
7.9	5.9	3.7	5.3	

COOPERATIVE EXTENSION WORK IN AGRICULTURE AND HOME ECONOMICS  
DEPARTMENT OF AGRICULTURAL ENGINEERING  
UNIVERSITY OF MARYLAND  
AND  
UNITED STATES DEPARTMENT OF AGRICULTURE COOPERATORS

**FARROWING HOUSE**

USDA '47 EX. 5641 SHEET 3 OF 3