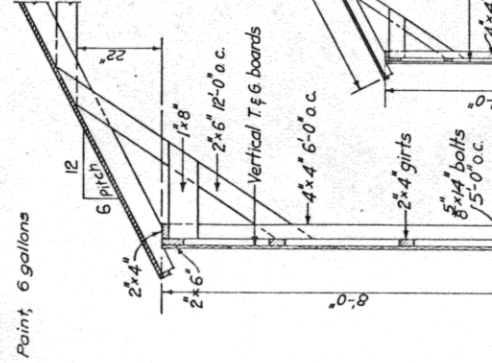
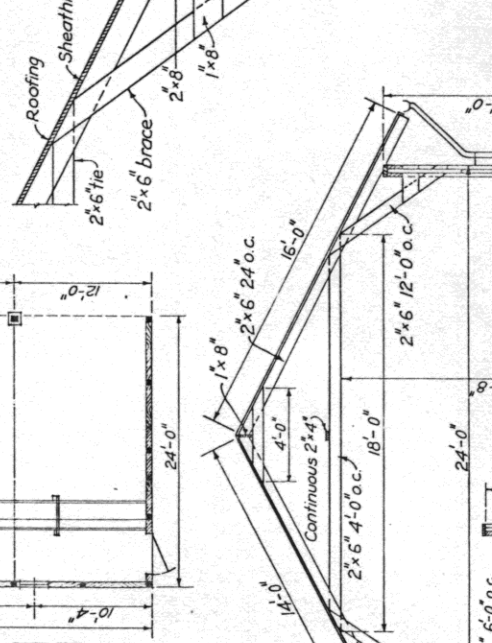
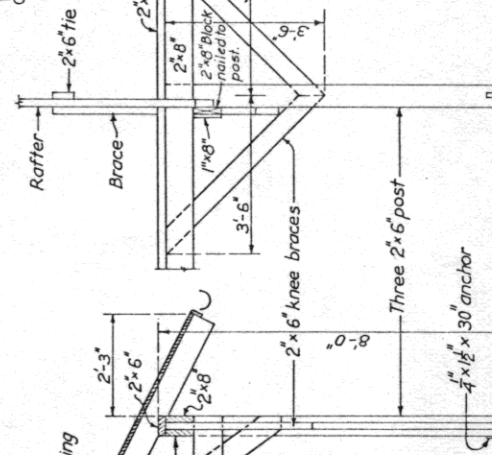
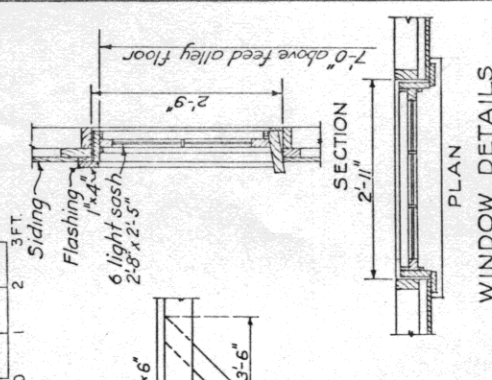
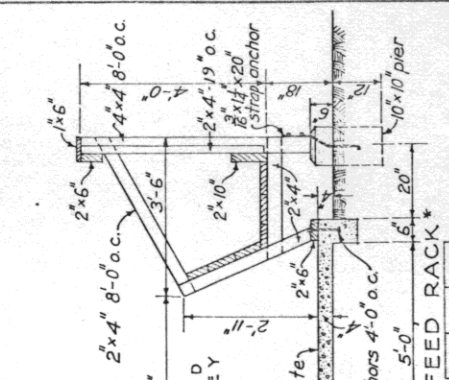
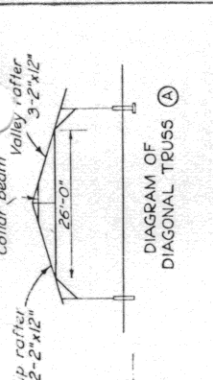
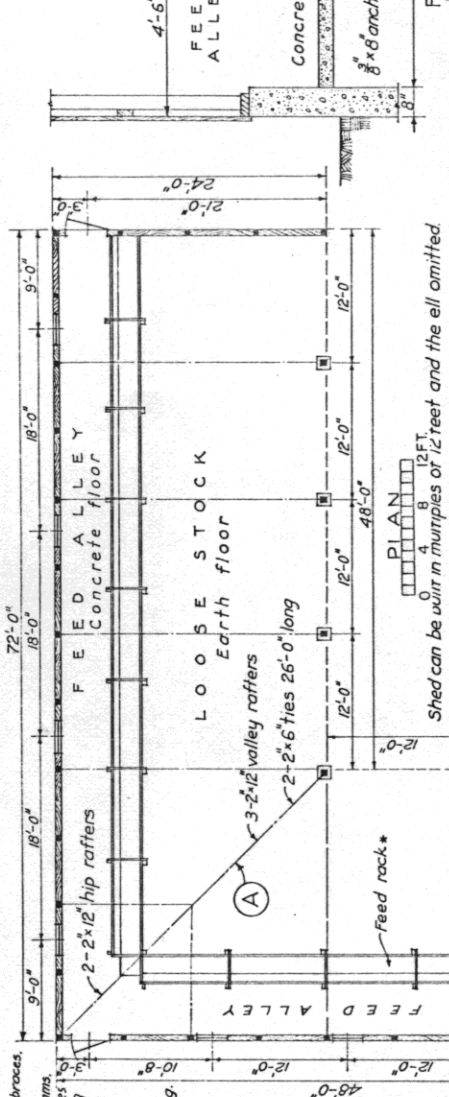
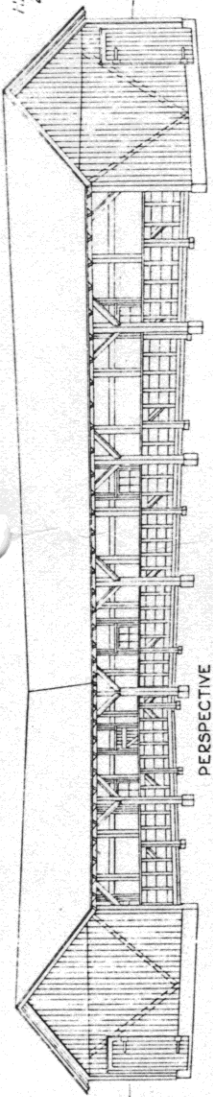


BILL OF MATERIALS

- CONCRETE 1:2 1/2:5 Mix
- Cement 153 sacks
- Sand 25 cu yards
- Gravel
- LUMBER
 - 4 x 4 x 10'-0" 6 ea. posts, feed rack.
 - 4 x 4 x 8'-0" 2 ea. posts, wall.
 - 2 x 12 x 12'-0" 5 ea. hip valley rafters.
 - 2 x 12 x 12'-0" 5 ea. feed rack.
 - 2 x 12 x 12'-0" 3 ea. girder's, feed rack.
 - 2 x 12 x 12'-0" 7 ea. rafters.
 - 2 x 6 x 16'-0" 48 ea. rafters.
 - 2 x 6 x 14'-0" 52 ea. rafters, diagonal truss tie.
 - 2 x 6 x 12'-0" 59 ea. sills, pilars, girts, feed rack, knee braces.
 - 2 x 6 x 10'-0" 6 ea. knee braces.
 - 2 x 6 x 8'-0" 39 ea. posts, built up, collar beams.
 - 2 x 4 x 12'-0" 72 ea. girt, feed rack, win. edr. framing.
 - 2 x 4 x 8'-0" 50 ea. feed rack, win. edr. framing.
 - 1 x 8 x 12'-0" 35 ea. ridge board's feed rack.
 - 1 x 8 x 8'-0" 5 ea. knee brace ties.
 - 1 x 6 x 14'-0" 5 ea. diagonal brace.
 - 1 x 6 x 12'-0" 3 ea. feed rack.
 - 1 x 6 x 7'-6" 1800 board ft. siding.
 - 1 x 6 x 7'-6" 1800 board ft. roof sheathing.
- MILLWORK
 - 3-6 x 7'-0" Door frames with trim - 3 ea.
 - 2-8 x 2'-3" 6 Light barn sash with frames and outside casing - 7 each.
- FINISHING
 - RYPTON WORK Squares
 - 3/4" x 1/2" Anchor bolts 32 each
 - 3/8" x 1/2" Anchor bolts 28 each
 - 1/2" x 1/2" Lag screws 10 each
 - 3/8" x 3" Lag screws 24 each
 - 3/4" x 1/2" x 20" Strap anchors 12 each
 - 1/4" x 1/2" x 30" Strap anchors 5 each
 - 12" Tee hinges 3 pair
 - 5" Gutter 72 linear ft.
 - 4" Leader 18 linear ft.
 - 4" 45° Leader elbows 6 each
 - 16d Common nails 170 lbs.
 - 8d Common nails 150 lbs.
- Paint, 6 gallons



REVISED '52

COOPERATIVE EXTENSION WORK IN
AGRICULTURE AND HOME ECONOMICS
DEPARTMENT OF AGRICULTURAL ENGINEERING
AND
UNIVERSITY OF MARYLAND
UNITED STATES DEPARTMENT OF AGRICULTURE COOPERATING

CATTLE SHED

USDA '47 EX. 5837 SHEET 1 OF 1

** Note: omit feed racks unless feeding will be done inside*