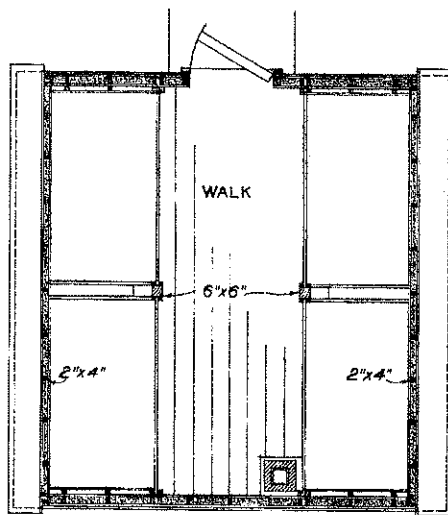
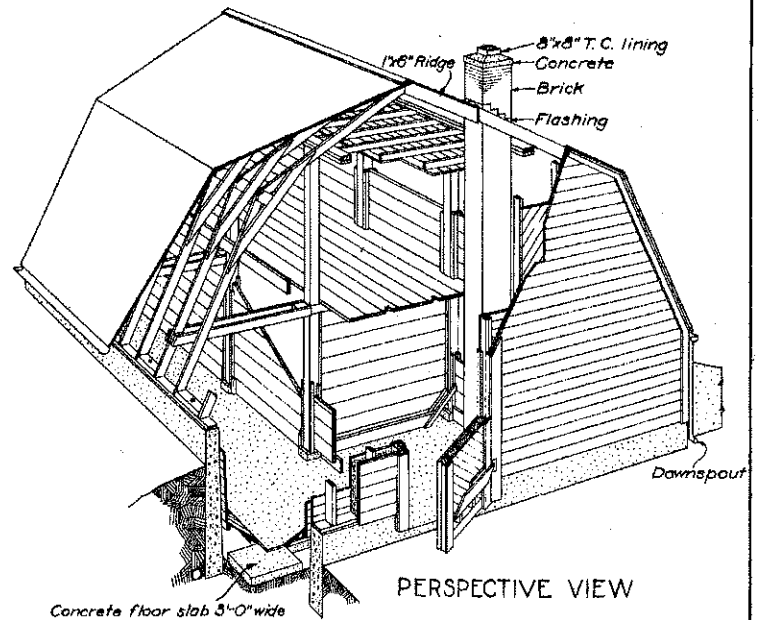


FIRST FLOOR PLAN

20'x20' BUILDING
Scale 1/4" = 1'-0"

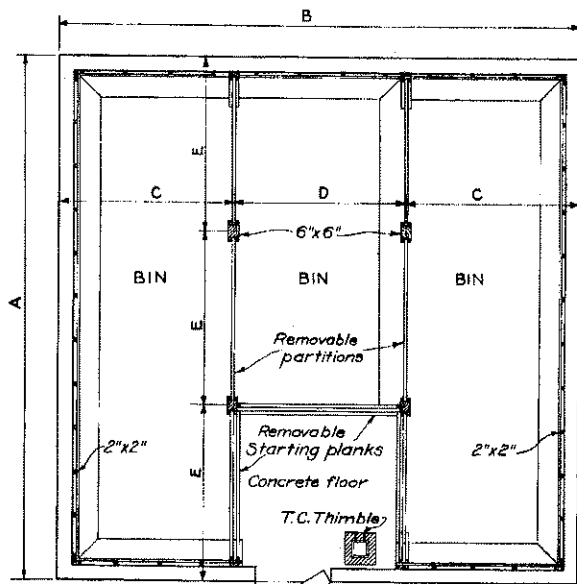


SECOND FLOOR PLAN



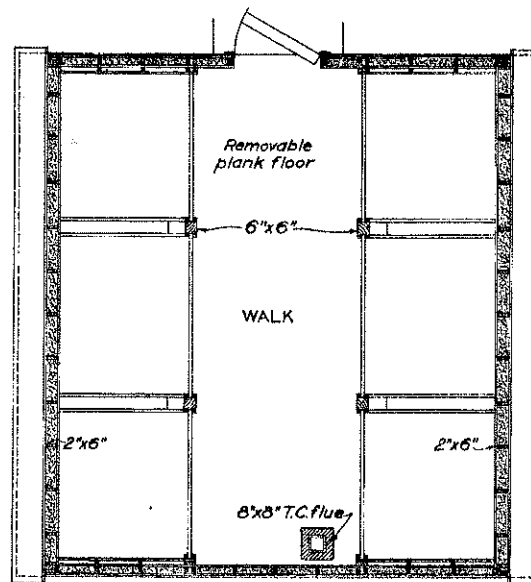
PERSPECTIVE VIEW

Concrete floor slab 3'-0" wide
to extend to wall every 3'-0"



TYPICAL 1st FLOOR PLAN

24'x24' & 28'x28' BUILDINGS



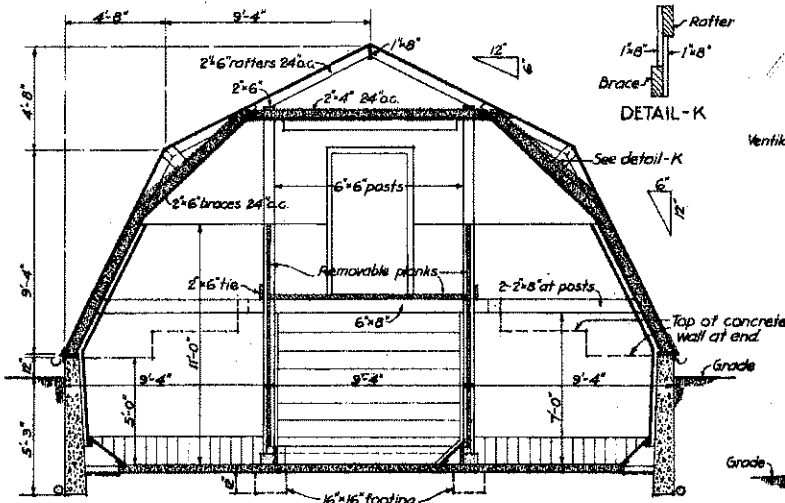
TYPICAL 2d FLOOR PLAN

Building Size	DIMENSION SCHEDULE					BUSHEL CAPACITY
	A	B	C	D	E	
28'x28'	28'	28'	9'-4"	9'-4"	9'-4"	7000
24'x24'	24'	24'	8'-0"	8'-0"	8'-0"	3000
20'x20'	20'	20'	6'-8"	6'-8"	10'-0"	2000

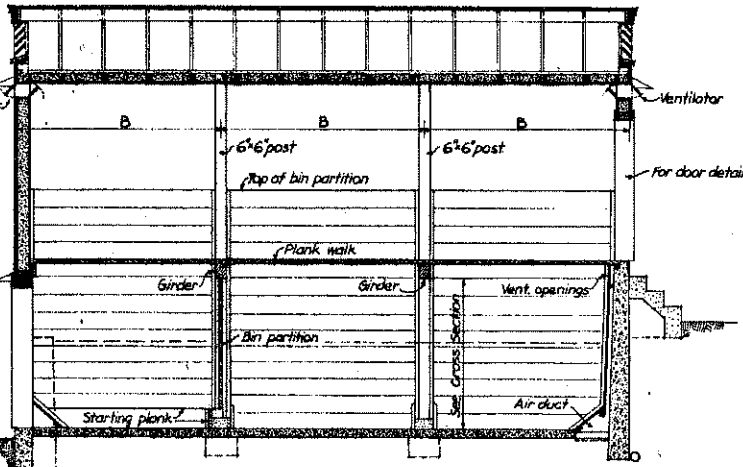
COOPERATIVE EXTENSION WORK IN
AGRICULTURE AND HOME ECONOMICS
STATE OF NORTH DAKOTA
NORTH DAKOTA AGRICULTURAL COLLEGE
AND
U. S. DEPT. OF AGRICULTURE COOPERATING

DEPT. OF STORAGE BINS

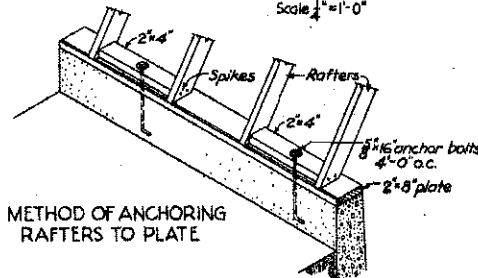
NO. 17



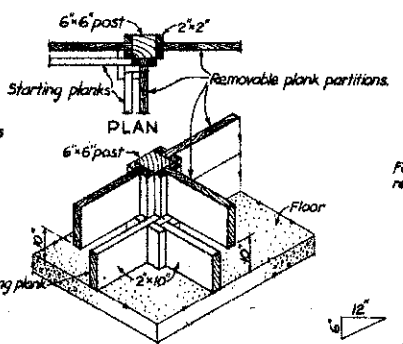
28 FT. CROSS SECTION
Scale $\frac{1}{4}'' = 1'-0''$



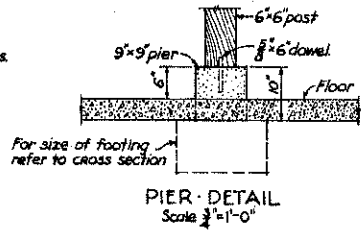
LONGITUDINAL SECTION
Scale $\frac{1}{4}'' = 1'-0''$



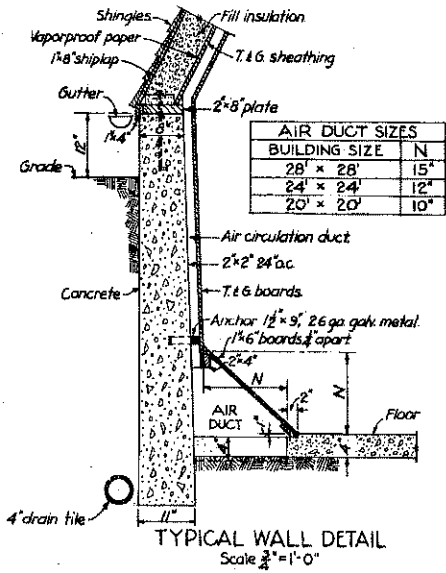
METHOD OF ANCHORING RAFTERS TO PLATE



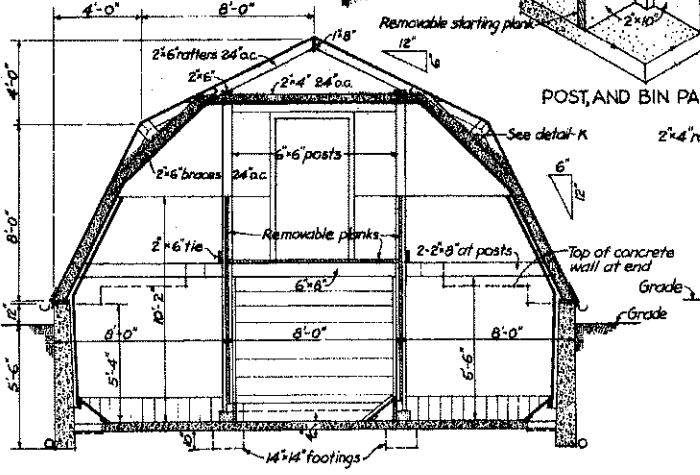
POST AND BIN PARTITIONS



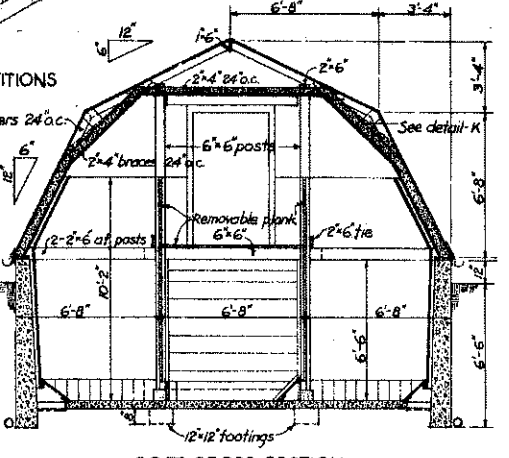
PIER DETAIL
Scale $\frac{1}{4}'' = 1'-0''$



TYPICAL WALL DETAIL
Scale $\frac{3}{8}'' = 1'-0''$



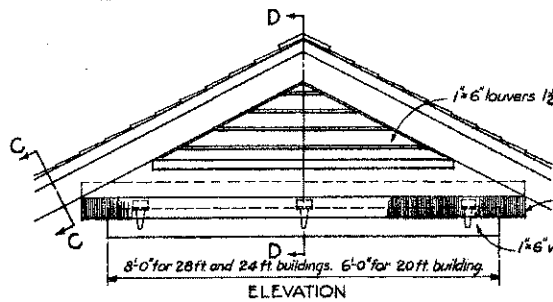
24 FT. CROSS SECTION
Scale $\frac{1}{4}'' = 1'-0''$



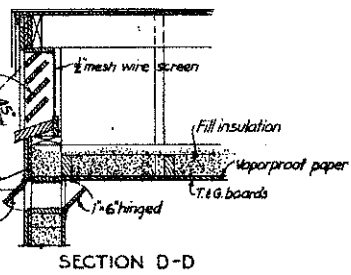
20 FT. CROSS SECTION
Scale $\frac{1}{4}'' = 1'-0''$

COOPERATIVE EXTENSION WORK IN
AGRICULTURE AND HOME ECONOMICS
STATE OF NORTH DAKOTA
NORTH DAKOTA AGRICULTURAL COLLEGE
AND
U.S. DEPT. OF AGRICULTURE COOPERATING.

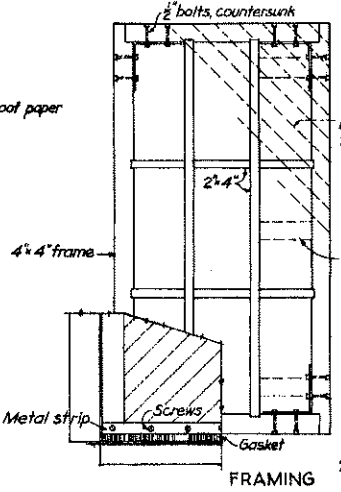
POTATO STORAGE HOUSES
U.S.A. 16-5618 Sheet 2 of 2



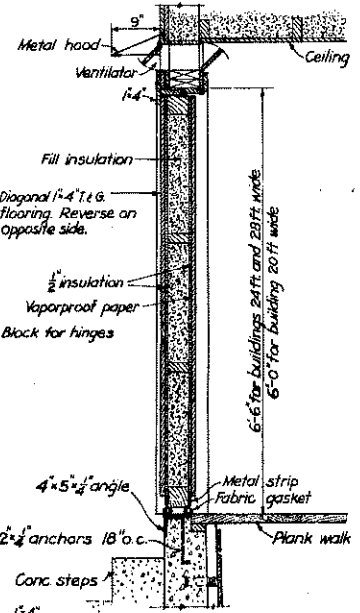
WALL VENTILATOR DETAILS
Scale 3/4" = 1'-0"



SECTION D-D

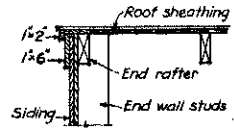


FRAMING

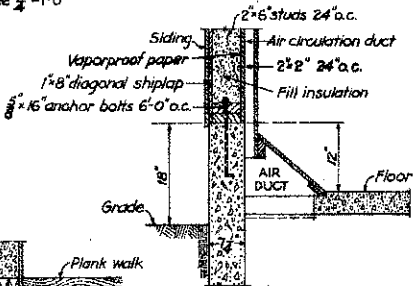


SECTION

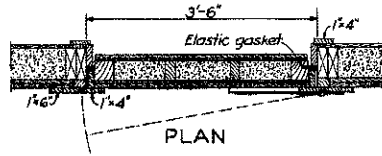
SECOND FLOOR DOOR DETAILS
Scale 3/4" = 1'-0"



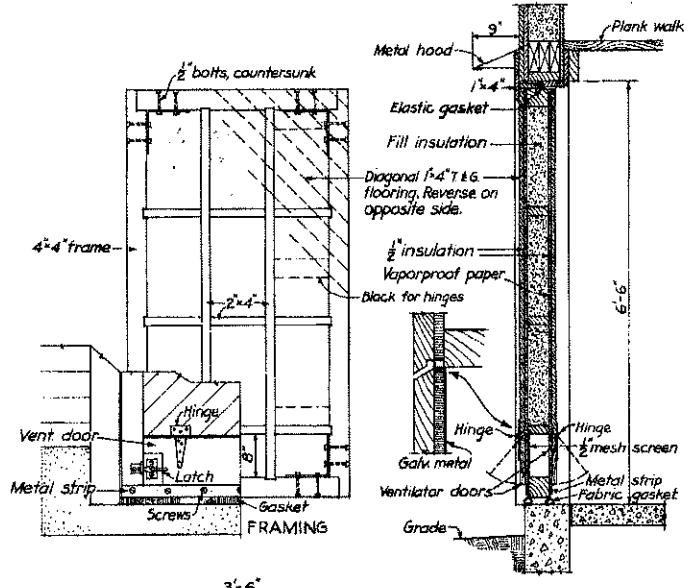
SECTION C-C
Scale 3/4" = 1'-0"



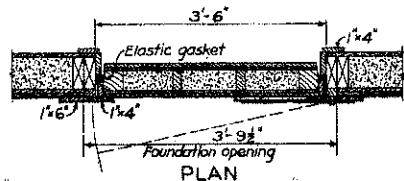
FRONT END WALL DETAIL
Scale 3/4" = 1'-0"



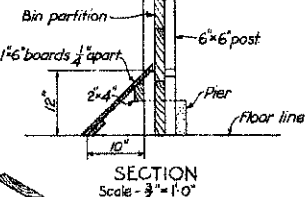
PLAN



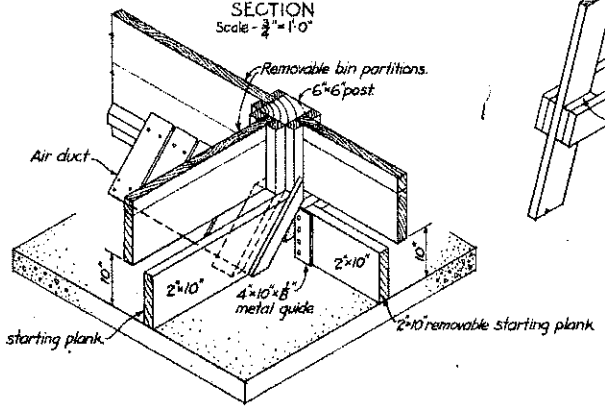
SECTION



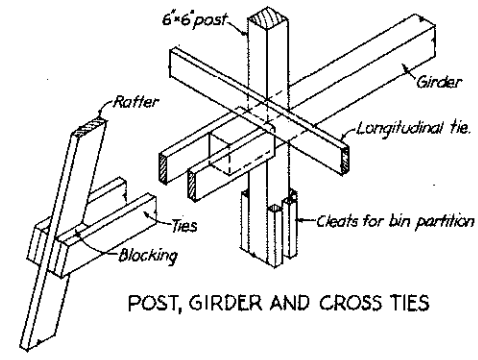
FIRST FLOOR DOOR DETAILS
Scale 3/4" = 1'-0"



SECTION
Scale 3/4" = 1'-0"



CENTER AIR DUCT DETAILS



POST, GIRDER AND CROSS TIES

COOPERATIVE EXTENSION WORK IN
AGRICULTURE AND HOME ECONOMICS
STATE OF NORTH DAKOTA
NORTH DAKOTA AGRICULTURAL COLLEGE
AND
U.S. DEPT. OF AGRICULTURE COOPERATIVE
POTATO STORAGE HOUSES