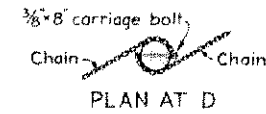
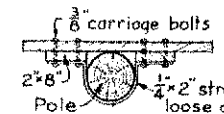


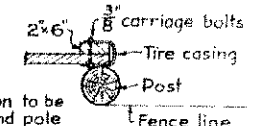
PLAN



PLAN AT D

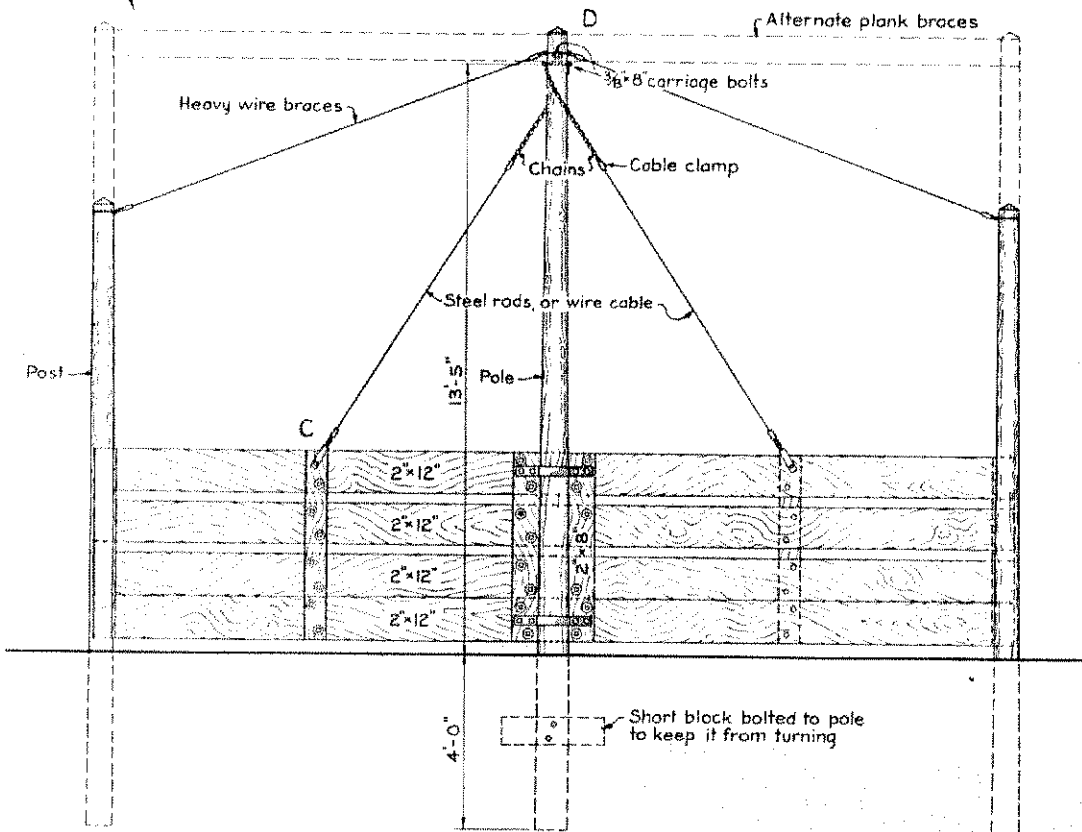


PLAN AT B



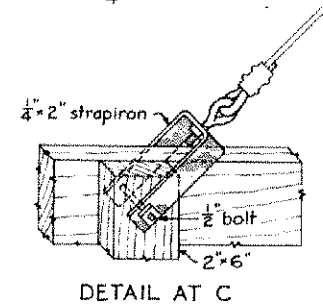
PLAN AT A

Scale $\frac{3}{4}'' = 1'-0''$



ELEVATION

Scale $\frac{1}{2}'' = 1'-0''$



DETAIL AT C

BILL OF MATERIALS

- 1 - 8" x 18'-0" pole
- 2 - 6" x 15'-0" posts
- 4 - 2" x 12" x 22'-0" planks
- 1 - 2" x 8" x 10'-0" cleats
- 2 - 2" x 6" x 10'-0" "
- 2 - 1/4" x 2" x 2'-6" bent strapirons
- 2 - 1/4" x 2" x 2'-3" cleavises
- 2 - 3/8" x 8" carriage bolts
- 58 - 3/8" x 4" "
- 2 - 3/8" x 2" eye bolts
- 58 - washers to fit carriage bolts
- 5 - lineal feet of link chain
- 50 - " " " 1/2" wire cable
- 8 - cable clamps
- Old tire casing

U.S. DEPARTMENT OF AGRICULTURE	
BUREAU OF AGRICULTURAL CHEMISTRY AND ENGINEERING	
FARM STRUCTURES RESEARCH DIVISION	
AUTO BUMPER GATE	
DESIGNED BY R. C. TRENKLE	
CHECKED BY R. C. TRENKLE	
Scale: As shown	CHECKED
Drawn By R.C.	
Traced by R.C.	
Approved	SHEET [OF]
	SERIAL NO. 5614