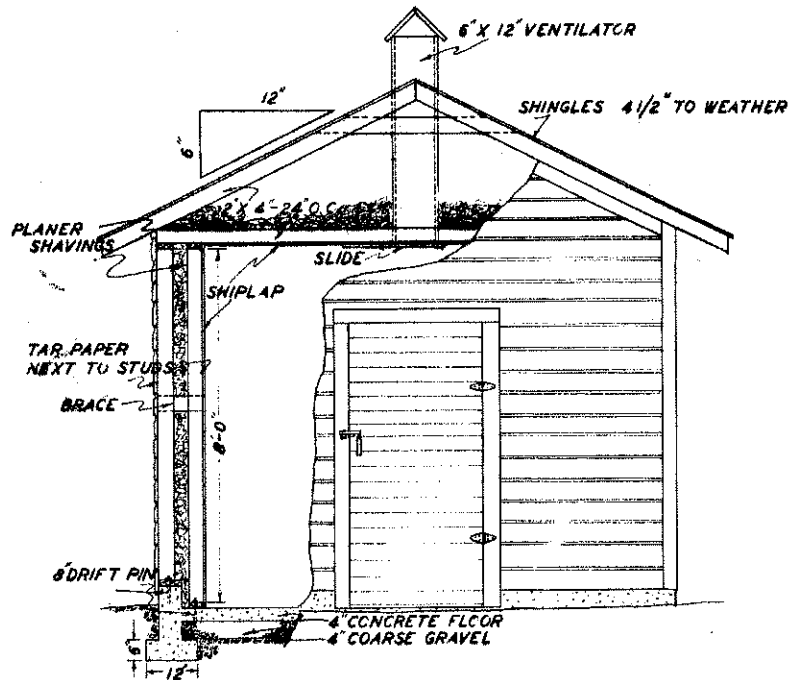
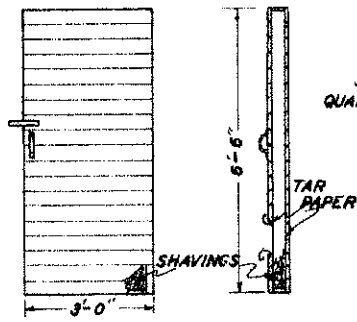


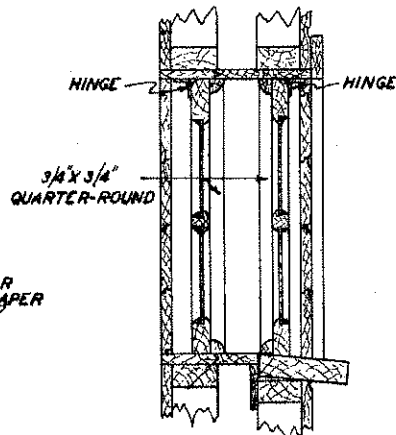
FLOOR PLAN
1/2" = 1'-0"



SECTIONED FRONT VIEW
1/2" = 1'-0"



DOOR DETAIL
1/2" = 1'-0"



WINDOW DETAIL
1 1/8" = 1'-0"

COOPERATIVE EXTENSION WORK IN
 AGRICULTURE AND HOME ECONOMICS
 STATE OF NORTH DAKOTA
 NORTH DAKOTA AGRICULTURAL COLLEGE
 AND
 U. S. DEPT. OF AGRICULTURE COOPERATING

ROOT STORAGE BIN
 1918