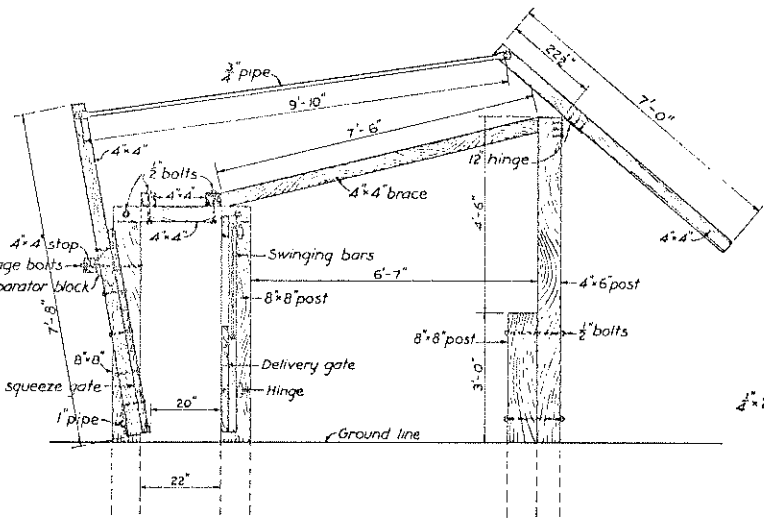
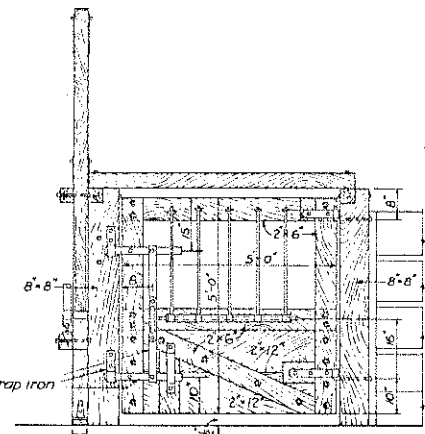


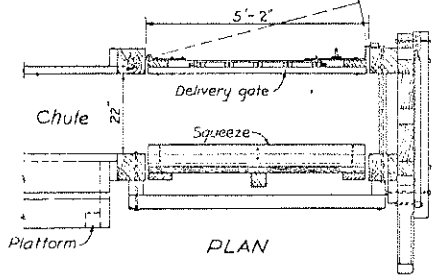
ELEVATION SHOWING BODY SQUEEZE



SECTION SHOWING BODY SQUEEZE



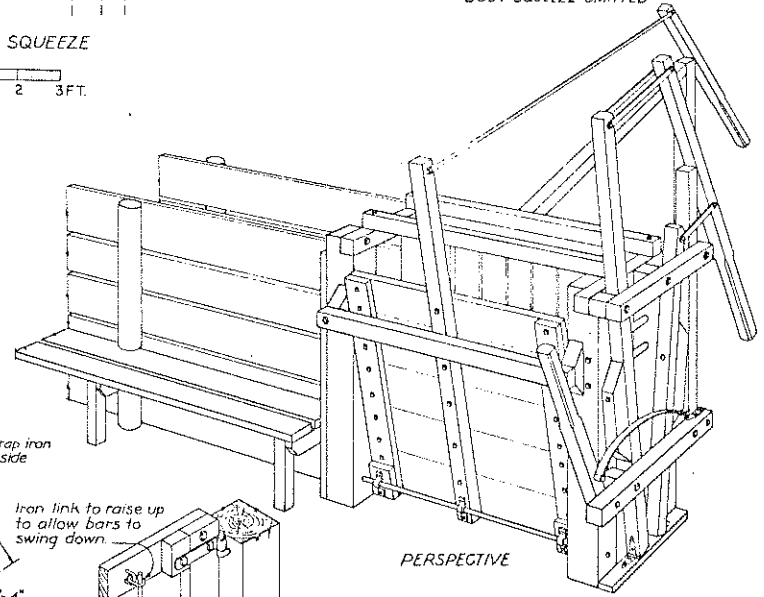
ELEVATION SHOWING DELIVERY GATE
BODY SQUEEZE OMITTED



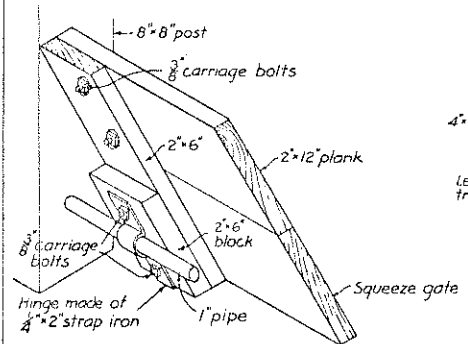
PLAN

Scale 0 1 2 3 FT.

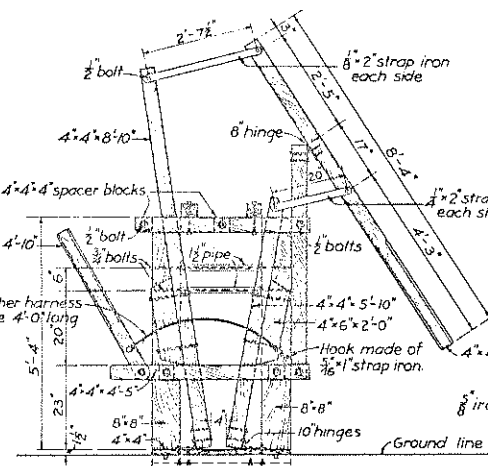
NOTE: Use carriage bolts, or countersink bolt heads on inside of gate and body squeeze.
All wood especially that in contact with ground, should be pressure-treated with preservative.



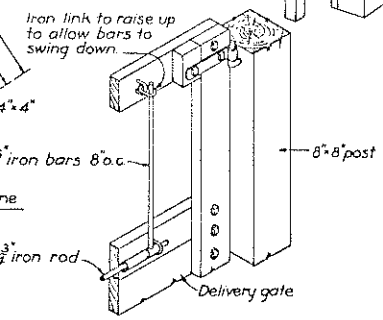
PERSPECTIVE



SQUEEZE GATE HINGE DETAIL



ELEVATION SHOWING NECK SQUEEZE



DETAIL OF DELIVERY GATE SWINGING BARS

COOPERATIVE EXTENSION WORK IN AGRICULTURE AND HOME ECONOMICS DEPARTMENT OF AGRICULTURAL ENGINEERING UNIVERSITY OF MARYLAND AND UNITED STATES DEPARTMENT OF AGRICULTURE COOPERATING		
NEVADA TYPE CATTLE SQUEEZE		
ORE.	'57	EX. 5465 SHEET 1 OF 1