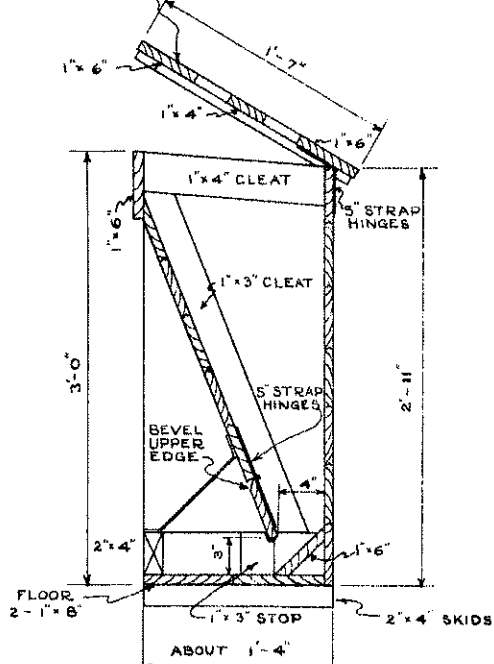
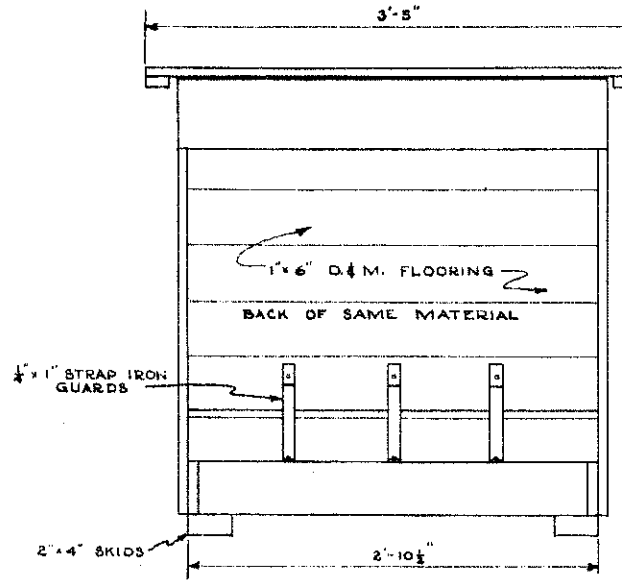


COVER WITH 26 GA.
GALVANIZED IRON

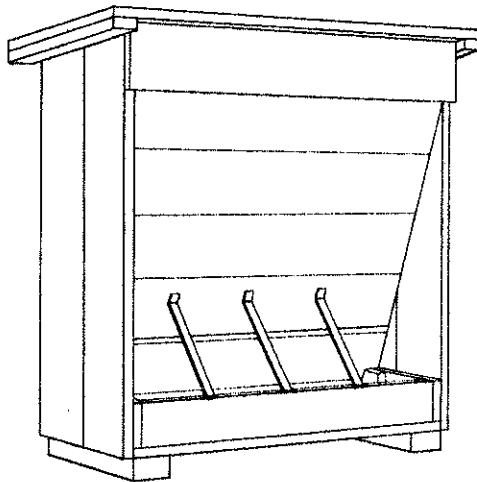


END PANEL TO BE MADE OF 1"
SHIPLAP 1'-8" WIDTH & 1'-10" WIDTH

SECTION
SCALE $\frac{1}{2}'' = 1'-0''$



FRONT ELEVATION
SCALE $\frac{1}{2}'' = 1'-0''$



PERSPECTIVE

BILL OF MATERIALS

1 - 2x4	6'-0"	
1 - 1x4	10'-0"	CLEATS
1 - 1x6	16'-0"	
1 - 1x4	10'-0"	
1 - 1x8	6'-0"	FLOOR
1 - 1x8	6'-0"	SHIPLAP FOR ENDS
1 - 1x10	6'-0"	
2 - 1x6	12'-0"	D. & M. FLOORING
1 - 1x6	16'-0"	
2 PR. - 5"		STRAP HINGES WITH SCREWS
1 SHEET		26 GA. GALVANIZED IRON
	20"	x 42" FOR COVER
3 - 1x4	1'-2"	STRAP IRON GUARDS

COOPERATIVE EXTENSION WORK IN
AGRICULTURE AND HOME ECONOMICS
STATE OF NORTH DAKOTA
NORTH DAKOTA AGRICULTURAL COLLEGE
AND
U. S. DEPT. OF AGRICULTURE COOPERATING
EXT. AGR'L. ENGINEER - FARGO, N. DAK.

SELF FEEDER FOR HOGS

MIDWEST 7-61-33 EX 5287 SHEET 1 OF 1