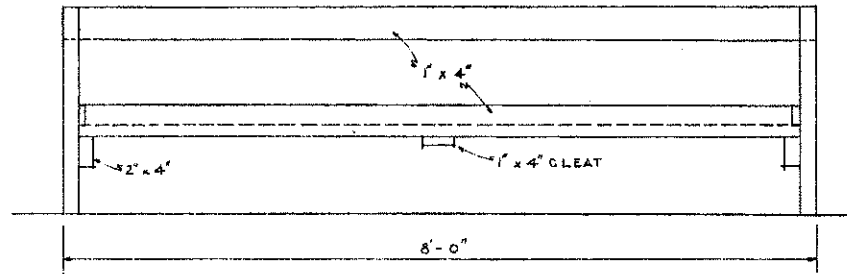


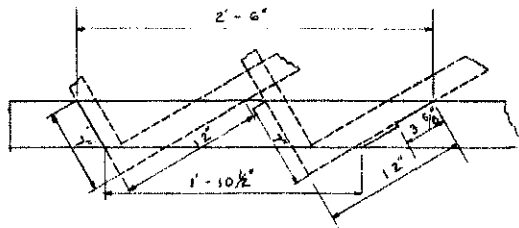
END ELEVATION

SCALE 1" = 1'-0"



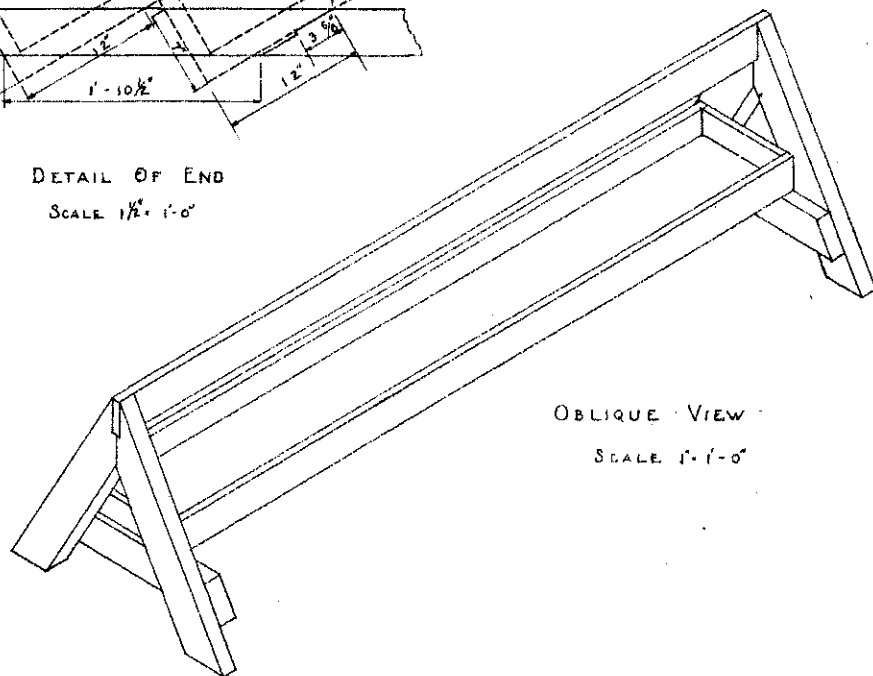
SIDE ELEVATION

SCALE 1" = 1'-0"



DETAIL OF END

SCALE 1/2" = 1'-0"



OBLIQUE VIEW

SCALE 1" = 1'-0"

| BILL OF MATERIAL | | | | | |
|------------------|------|----------|----------|-------------|--------------------|
| NO. | REQ. | SIZE | LENGTH | GRADE | REMARKS |
| 2 | | 1" x 4" | 8' - 0" | NO. 1 Y. P. | SIDES |
| 1 | | 1" x 4" | 12' - 0" | NO. 1 Y. P. | TIES- ENDS- GLEATS |
| 1 | | 1" x 12" | 8' - 0" | NO. 1 Y. P. | FLOOR |
| 1 | | 2" x 4" | 14' - 0" | NO. 1 Y. P. | FRAMING |
| 1" | | 8-L | | COM. | NAILS |
| 1" | | 16-d | | COM. | NAILS |

COOPERATIVE EXTENSION WORK IN
 AGRICULTURE AND HOME ECONOMICS
 STATE OF NORTH DAKOTA
 NORTH DAKOTA AGRICULTURAL COLLEGE
 AND
 U. S. DEPT. OF AGRICULTURE COOPERATING
 EXT. AGR'L ENGINEER- FARGO, N. DAK.

FEED BUNK FOR SHEEP

MIDWEST 7751/433 EX 5360 SHEET 1 OF 1