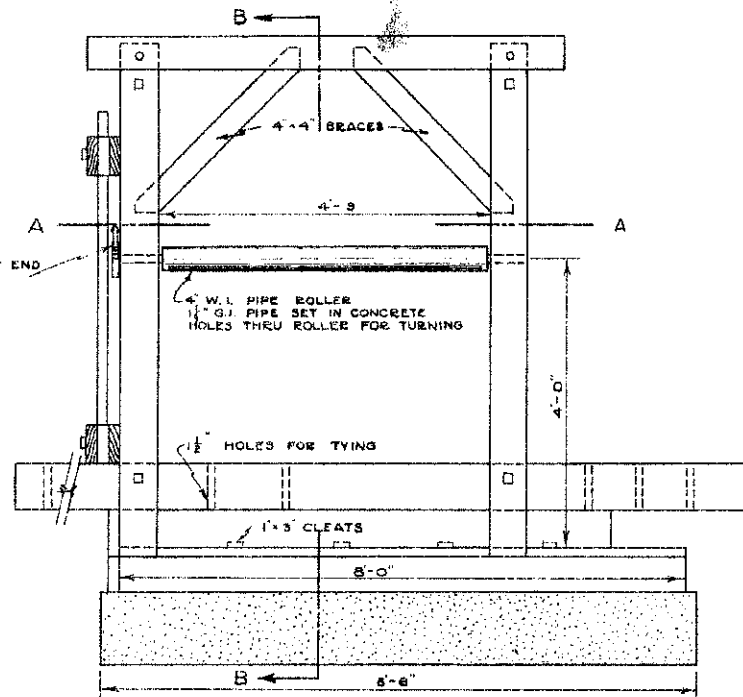
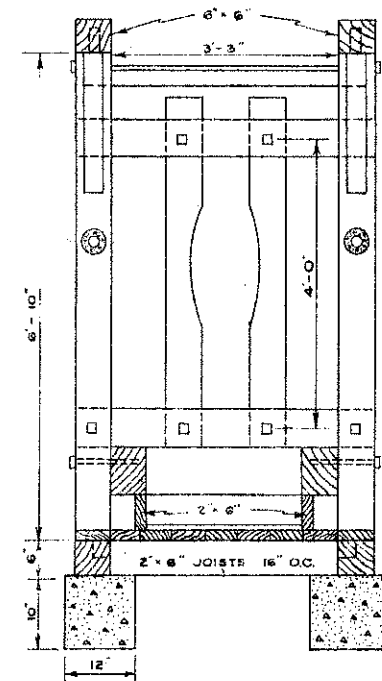


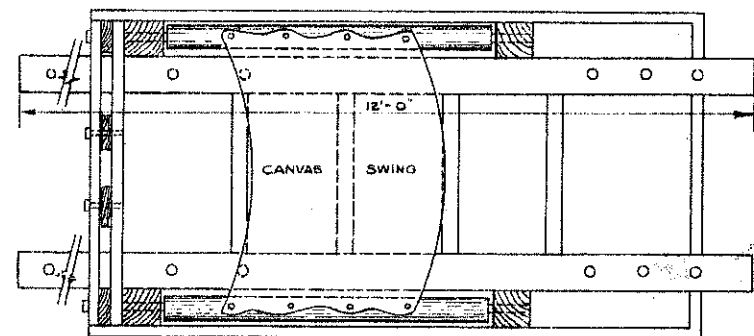
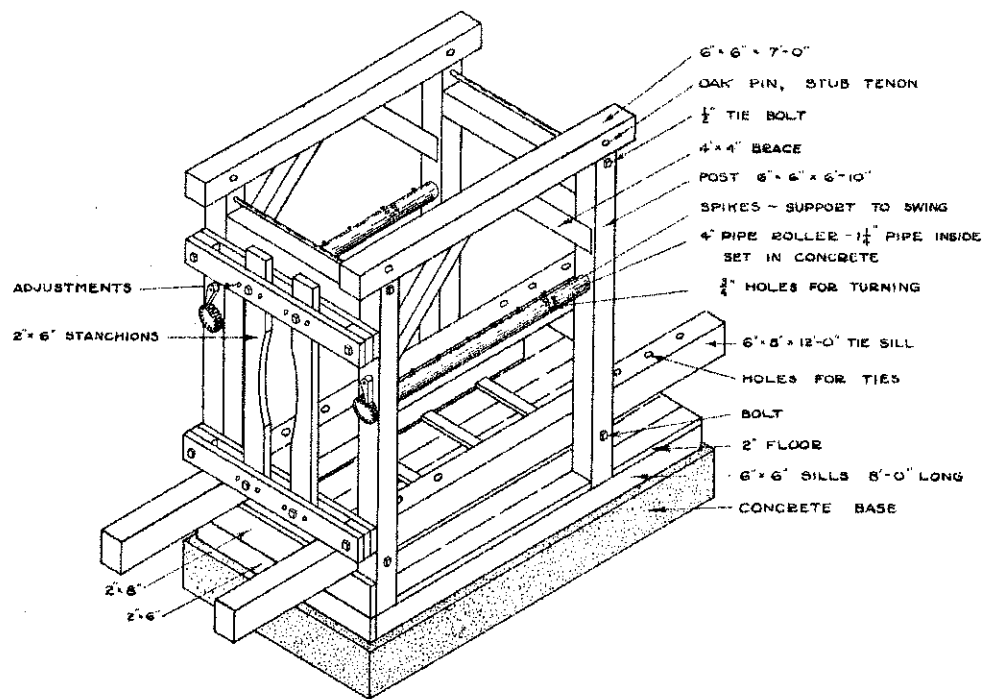
END ELEVATION



SIDE ELEVATION



CROSS SECTION B-B



PLAN-SECTION AA

COOPERATIVE EXTENSION WORK IN
 AGRICULTURE AND HOME ECONOMICS
 STATE OF NORTH DAKOTA
 NORTH DAKOTA AGRICULTURAL COLLEGE
 AND
 U. S. DEPT. OF AGRICULTURE COOPERATING
 EXT. AGR'L. ENGINEER- FARGO, N. DAK.

CATTLE STOCKS

MIDWE ST 77461337 PA 5319 SHEET 1 OF 1