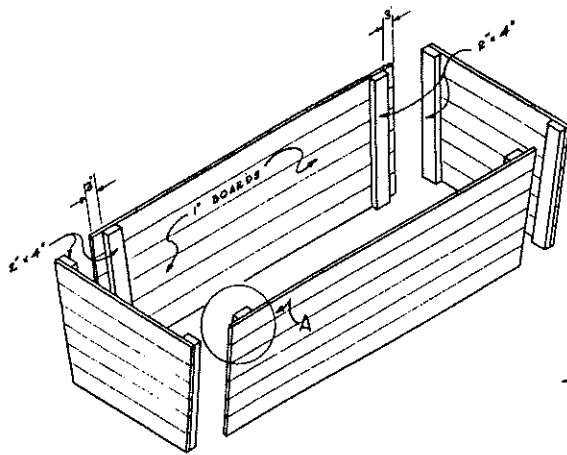
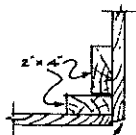


PLAN
SCALE 3/4" = 1'-0"

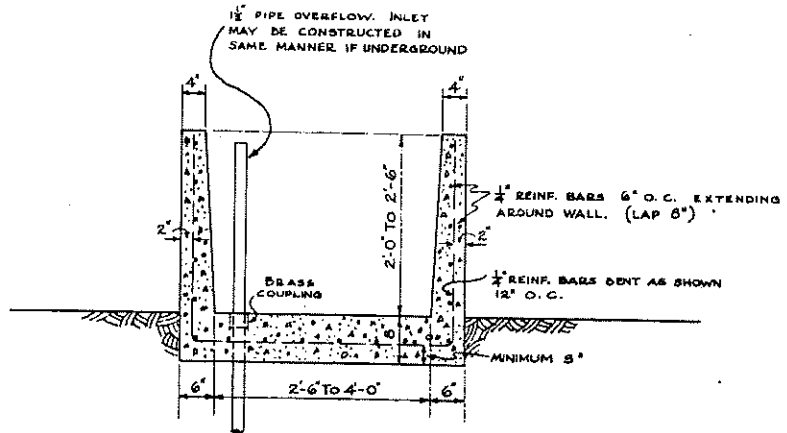


DETAIL OF FORMS
SCALE 1/2" = 1'-0"

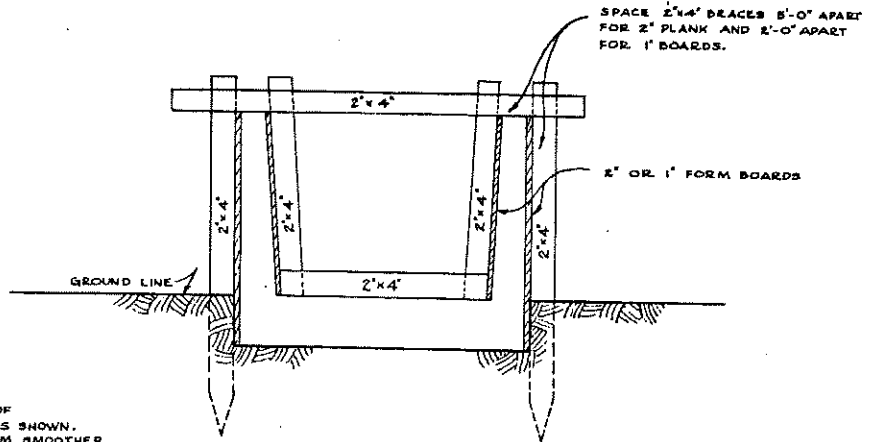


DETAIL 'A'

BEVEL EDGE OF LONG FORM AS SHOWN. THIS WILL FORM SMOOTHER INSIDE CORNER IN CONCRETE.



SECTION
SCALE 3/4" = 1'-0"



DETAIL OF FORMS
SCALE 3/4" = 1'-0"

COOPERATIVE EXTENSION WORK IN
AGRICULTURE AND HOME ECONOMICS
STATE OF NORTH DAKOTA
NORTH DAKOTA AGRICULTURAL COLLEGE
AND
U. S. DEPT. OF AGRICULTURE COOPERATING
EXT. AGR'L. ENGINEER - FARGO, N. DAK.

RECTANGULAR STOCK TANK

MIDWEST 77201-33 EX. 5374 SHEET 1 OF 1

ADAPTED FROM
PORTLAND CEMENT ASSN. PLAN

77201