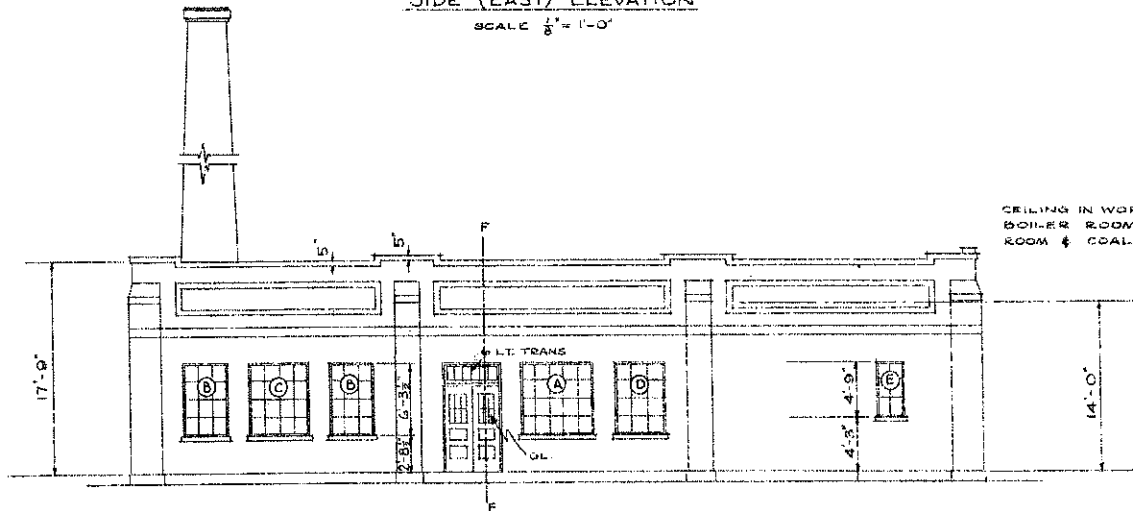
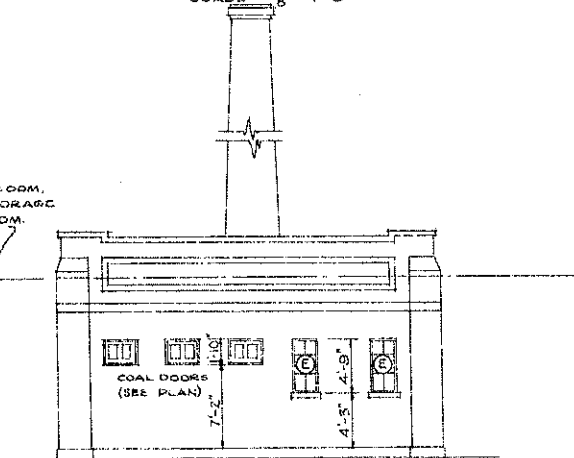


SIDE (EAST) ELEVATION  
SCALE  $\frac{1}{8}'' = 1'-0''$

FRONT (SOUTH) ELEVATION  
SCALE  $\frac{1}{8}'' = 1'-0''$



SIDE (WEST) ELEVATION  
SCALE  $\frac{1}{8}'' = 1'-0''$



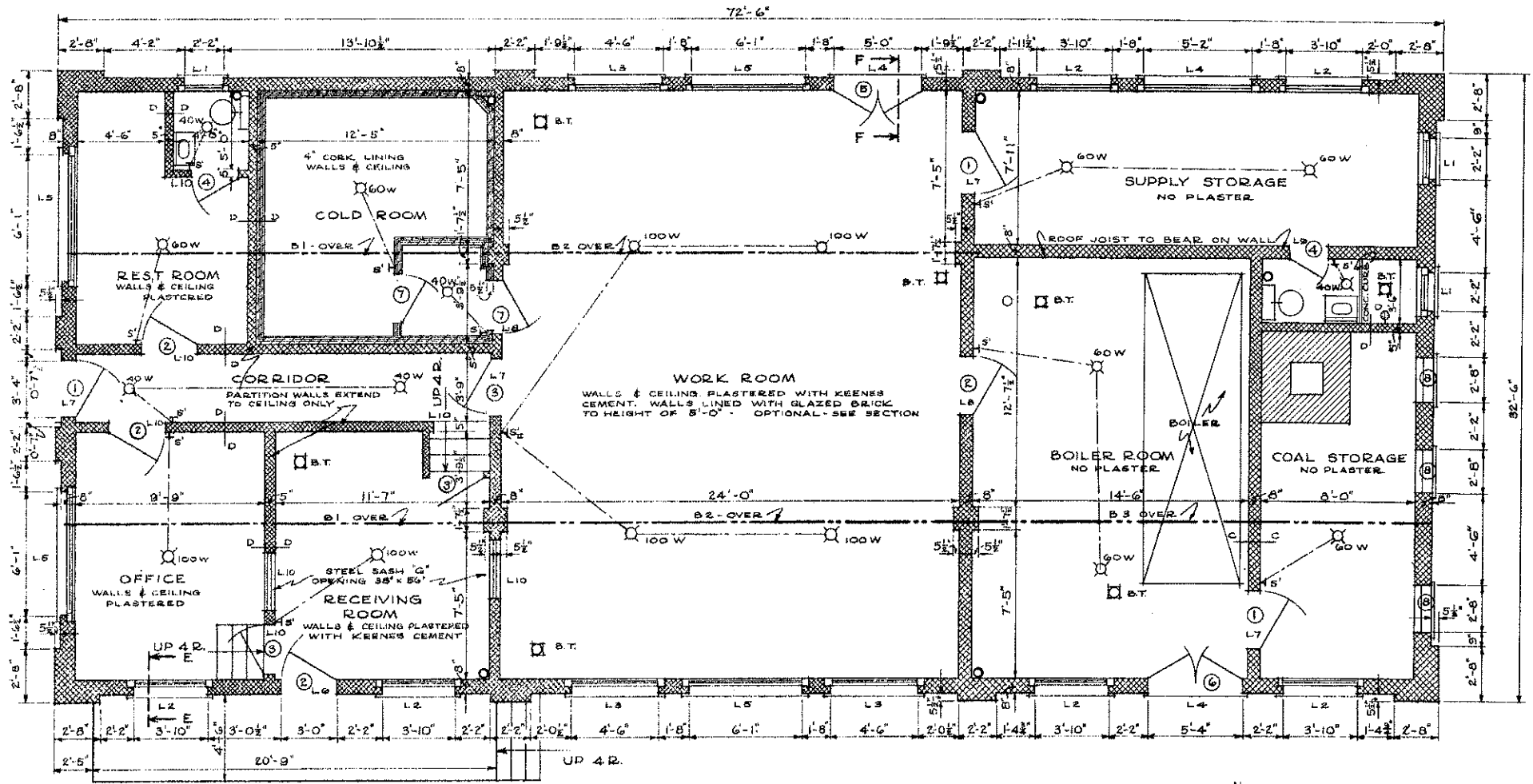
REAR (NORTH) ELEVATION  
SCALE  $\frac{1}{8}'' = 1'-0''$

NEW PLAN  
H & G SHEETS

COOPERATIVE EXTENSION WORK IN  
 AGRICULTURE AND HOME ECONOMICS  
 STATE OF NORTH DAKOTA  
 NORTH DAKOTA AGRICULTURAL COLLEGE  
 AND  
 U. S. DEPT. OF AGRICULTURE COOPERATING  
 EXT. AGR'L. ENGINEER - FARGO, N. DAK.

**CREAMERY**

MIDWEST 75211-33 EX. 5361 SHEET 1 OF 5



**FIRST FLOOR PLAN**  
SCALE  $\frac{1}{4}'' = 1'-0''$

NOTE:  
BEAMS B1, B2 & B3 TO BE EITHER  
12" I @ 31.8#  
OR 12" C @ 28.0#  
OR 12" D @ 28.0#  
BEAMS B1 & B3 TO HAVE  $\frac{1}{2}'' \times 6'' \times 10''$   
STEEL BEARING PLATE UNDER END  
BEARING ON EXTERIOR WALLS.

NOTE: SEE SHEET NO. 3 FOR FOOTING  
SECTIONS C-C & D-D.

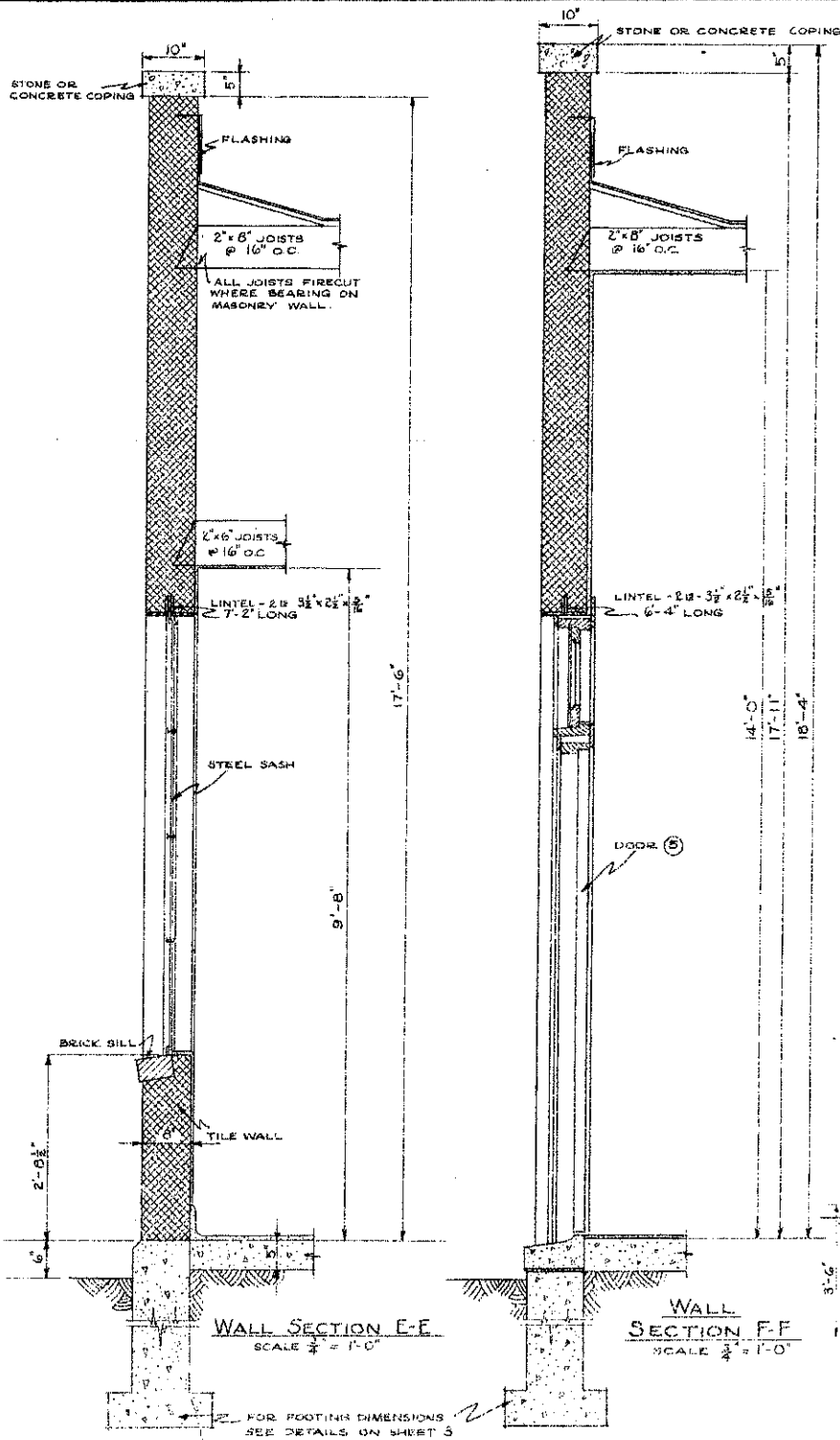
LINTEL SCHEDULE			
MARK	NO.	MATERIAL	REMARKS
L1	3	2L 3 $\frac{1}{2}$ " x 2 $\frac{1}{2}$ " x $\frac{11}{16}$ " x 3'-2"	
L2	6	2L 3 $\frac{1}{2}$ " x 2 $\frac{1}{2}$ " x $\frac{11}{16}$ " x 4'-10"	
L3	3	2L 3 $\frac{1}{2}$ " x 2 $\frac{1}{2}$ " x $\frac{11}{16}$ " x 5'-6"	
L4	3	2L 3 $\frac{1}{2}$ " x 2 $\frac{1}{2}$ " x $\frac{11}{16}$ " x 6'-4"	
L5	4	2L 3 $\frac{1}{2}$ " x 2 $\frac{1}{2}$ " x $\frac{11}{16}$ " x 7'-2"	
L6	1	2L 3 $\frac{1}{2}$ " x 2 $\frac{1}{2}$ " x $\frac{11}{16}$ " x 4'-0"	
L7	4	2L 3 $\frac{1}{2}$ " x 2 $\frac{1}{2}$ " x $\frac{11}{16}$ " x 4'-4"	
L8	2	2L 3 $\frac{1}{2}$ " x 2 $\frac{1}{2}$ " x $\frac{11}{16}$ " x 4'-0"	
L9	1	2L 3 $\frac{1}{2}$ " x 2 $\frac{1}{2}$ " x $\frac{11}{16}$ " x 3'-8"	
L10	5	2- $\frac{1}{2}$ " x 4'-0" BRT. IN FILE FILLED WITH CONG. SEE DETAIL.	

DOOR SCHEDULE					
MARK	NO.	WIDE	HIGH	THICK	REMARKS
1	4	3'-0"	7'-0"	1 $\frac{1}{2}$ "	
2	4	2'-8"	7'-0"	1 $\frac{1}{2}$ "	
3	3	2'-6"	7'-0"	1 $\frac{1}{2}$ "	
4	2	2'-7"	6'-8"	1 $\frac{1}{2}$ "	
5	1	2'-4"	7'-0"	1 $\frac{1}{2}$ "	DOUBLE.
6	1	2'-6"	7'-0"	1 $\frac{1}{2}$ "	
7	2	2'-6"	6'-6"	6-G	SPECIAL INSULATED
8	3	2'-8"	1'-10"		METAL COAL DOOR.

LEGEND	
	TILE IN SECTION
	BRICK IN SECTION
	FORM WALL - SECTION
	CORK BOARD.
	SEWER
	B.T. BELL TRAP
	LAVATORY
	CLOSET
	SHOWER HEAD
	ELEC. SWITCH LINE
	ELEC. OUTLET.
	S' SINGLE POLE SWITCH

COOPERATIVE EXTENSION WORK IN  
AGRICULTURE AND HOME ECONOMICS  
STATE OF NORTH DAKOTA  
**NORTH DAKOTA AGRICULTURAL COLLEGE**  
AND  
U. S. DEPT. OF AGRICULTURE COOPERATING  
EXT. AGR'L. ENGINEER - FARGO, N. DAK.  
**CREAMERY**  
MIDWEST 7521:33 EX. 5362 SHEET 2 OF 5

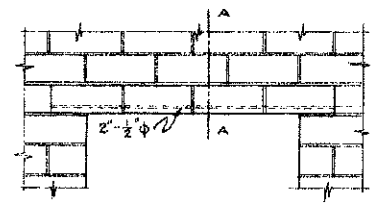




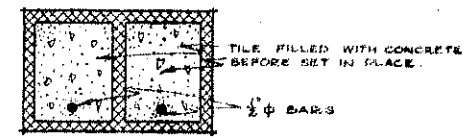
WALL SECTION E-E  
SCALE 1/2" = 1'-0"

WALL SECTION F-F  
SCALE 1/2" = 1'-0"

FOR FOOTING DIMENSIONS  
SEE DETAILS ON SHEET 3

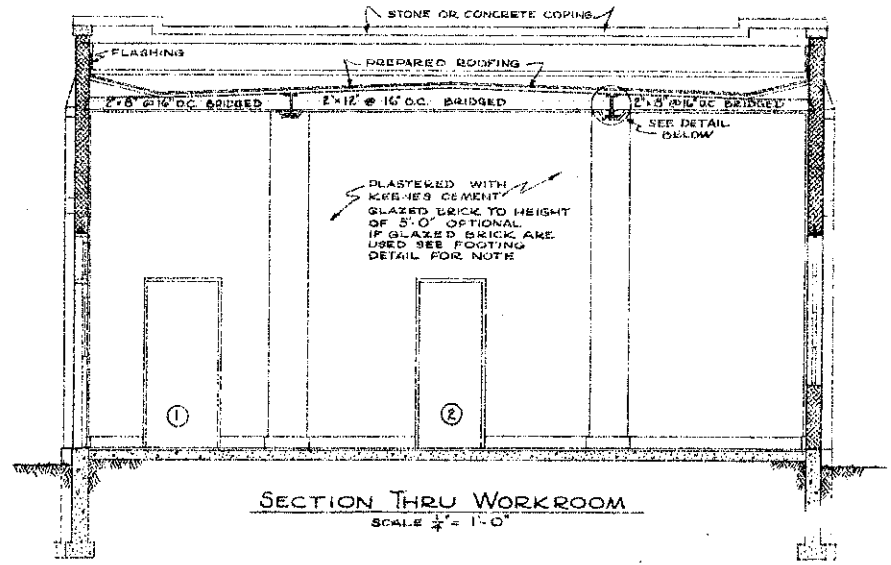


ELEVATION

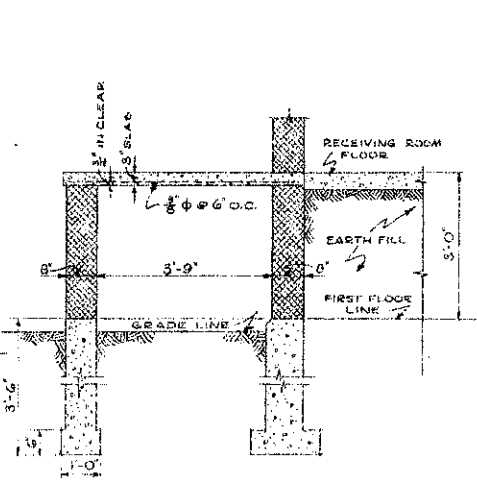


SECTION A-A

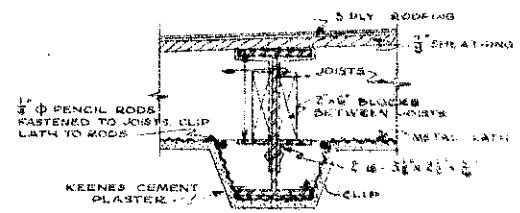
DETAILS OF LINTEL No. 10



SECTION THRU WORKROOM  
SCALE 1/4" = 1'-0"



DETAIL OF RECEIVING PLATFORM  
SCALE 1/2" = 1'-0"



DETAIL OF BEAMS B2  
BEAMS B1 & B3 SIMILAR EXCEPT OMIT LATH & PLASTER.  
SCALE 1 1/2" = 1'-0"

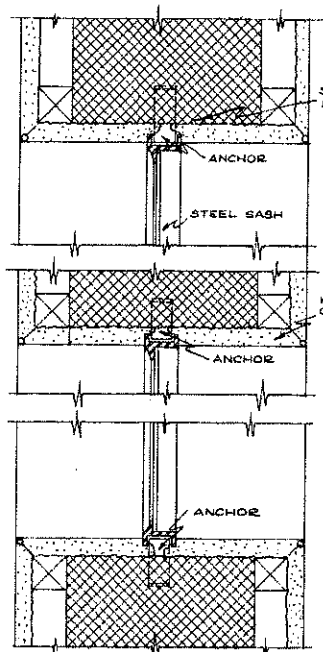
COOPERATIVE EXTENSION WORK IN  
AGRICULTURE AND HOME ECONOMICS  
STATE OF NORTH DAKOTA  
NORTH DAKOTA AGRICULTURAL COLLEGE  
AND  
U.S. DEPT. OF AGRICULTURE COOPERATING  
EXT. AGR'L. ENGINEER - FARGO, N. DAK.

**CREAMERY**  
MIDWEST 75211-33 EA 5364 SHEET 4 OF 5

HEAD

JAMB

SILL



NOTE: FURRING MAY BE OMITTED ON INTERIOR WALLS

DETAILS OF SASH G SCALE 3" = 1'-0"

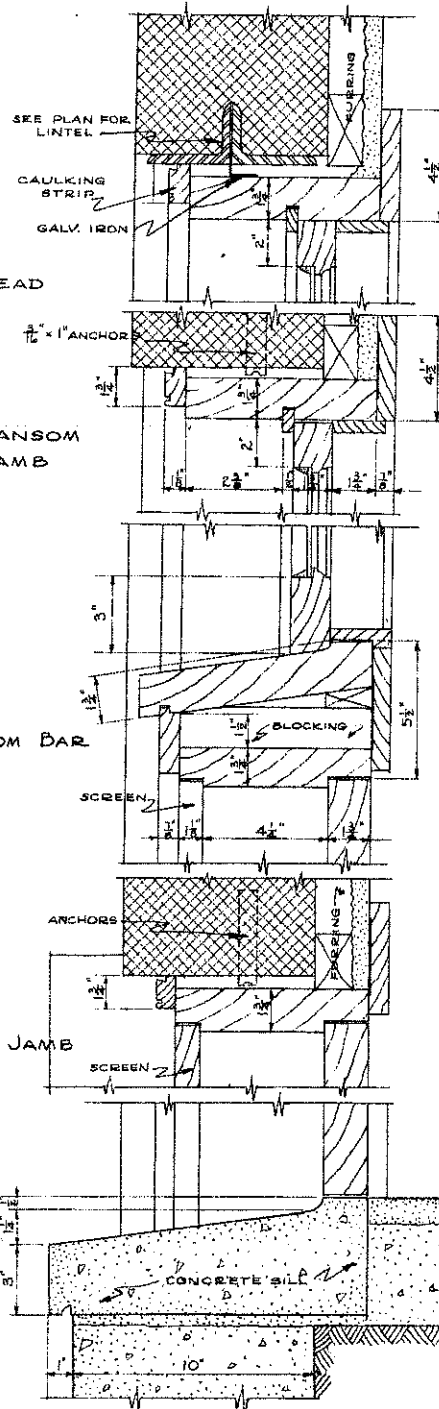
HEAD

TRANSOM JAMB

TRANSOM BAR

DOOR JAMB

SILL

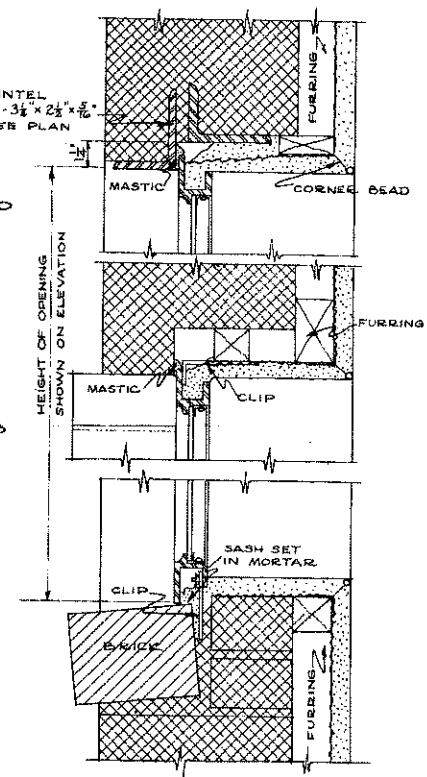


TYPICAL DETAILS OF EXTERIOR DOORS SCALE 3" = 1'-0"

HEAD

JAMB

SILL



TYPICAL DETAILS OF WINDOWS TYPES A-F INCL. SCALE 3" = 1'-0"

NOTE: DETAILS MAY VARY WITH DIFFERENT MAKERS OF WINDOWS & JAMB BLOCKS.

COOPERATIVE EXTENSION WORK IN  
 AGRICULTURE AND HOME ECONOMICS  
 STATE OF NORTH DAKOTA  
 NORTH DAKOTA AGRICULTURAL COLLEGE  
 AND  
 U. S. DEPT. OF AGRICULTURE COOPERATING  
 EXT. AGR'L ENGINEER - FARGO, N. DAK.

CREAMERY.

MIDWLT 75211-33 EX 5365 SHEET 5 of 5