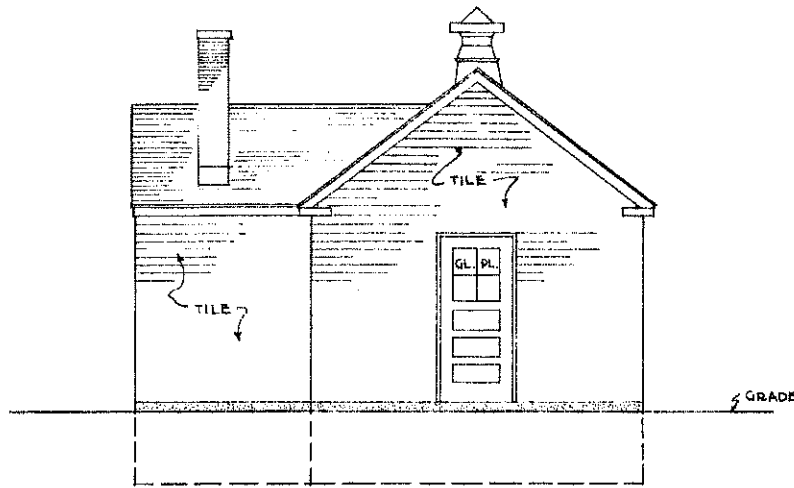
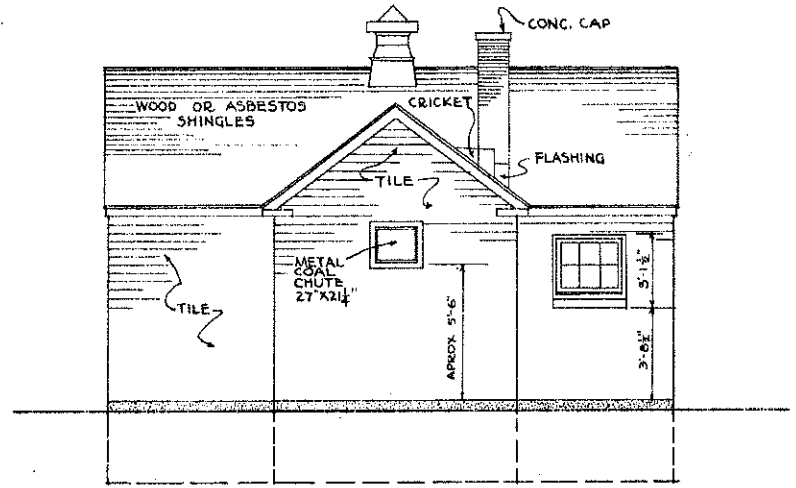


COOPERATIVE EXTENSION WORK IN
 AGRICULTURE AND HOME ECONOMICS
 STATE OF NORTH DAKOTA
 NORTH DAKOTA AGRICULTURAL COLLEGE
 AND
 U. S. DEPT. OF AGRICULTURE COOPERATING
 EXT. AGR'L ENGINEER - FARGO, N. DAK.
FARM BOTTLING PLANT
 MIDWEST 75204'33 EX. 5358 SHEET 1 OF 3

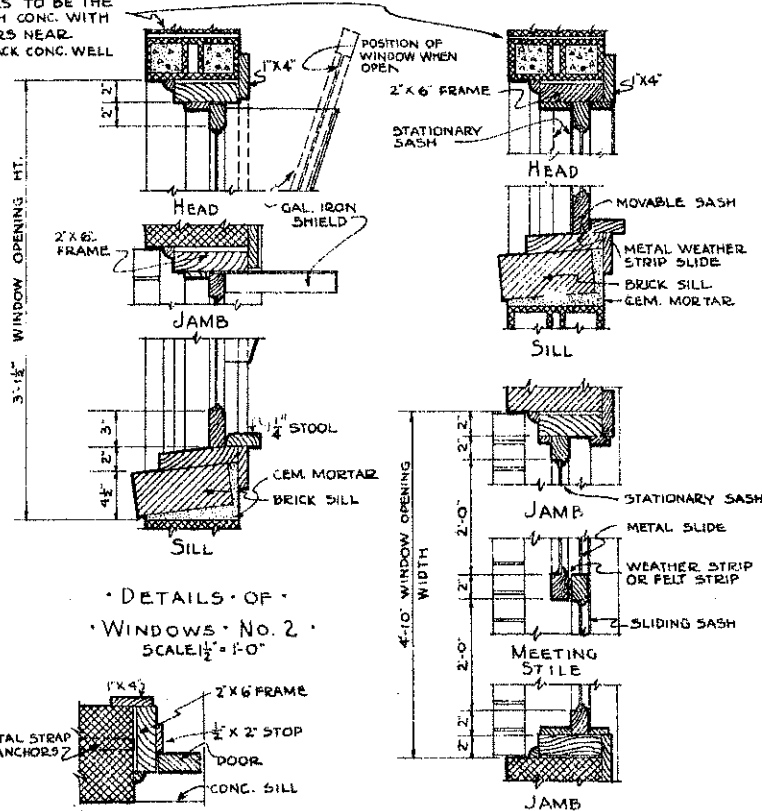


END ELEVATION (WEST)
SCALE $\frac{1}{4}'' = 1'-0''$

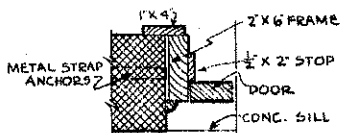


REAR ELEVATION (NORTH)
SCALE $\frac{1}{4}'' = 1'-0''$

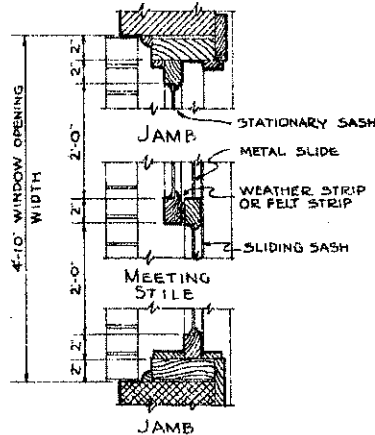
ALL LINTELS TO BE THE FILLED WITH CONC. WITH 2 $\frac{1}{2}'' \phi$ BARS NEAR BOTTOM-PACK CONC. WELL



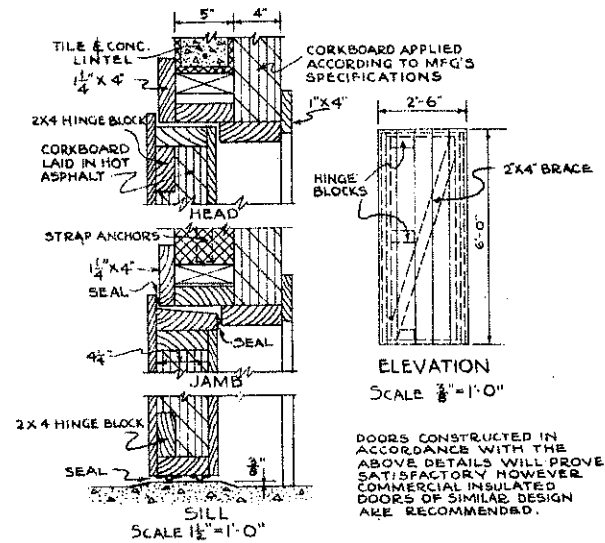
DETAILS OF
WINDOWS NO. 2
SCALE $\frac{1}{2}'' = 1'-0''$



TYPICAL DOOR
JAMB
SCALE $\frac{1}{2}'' = 1'-0''$

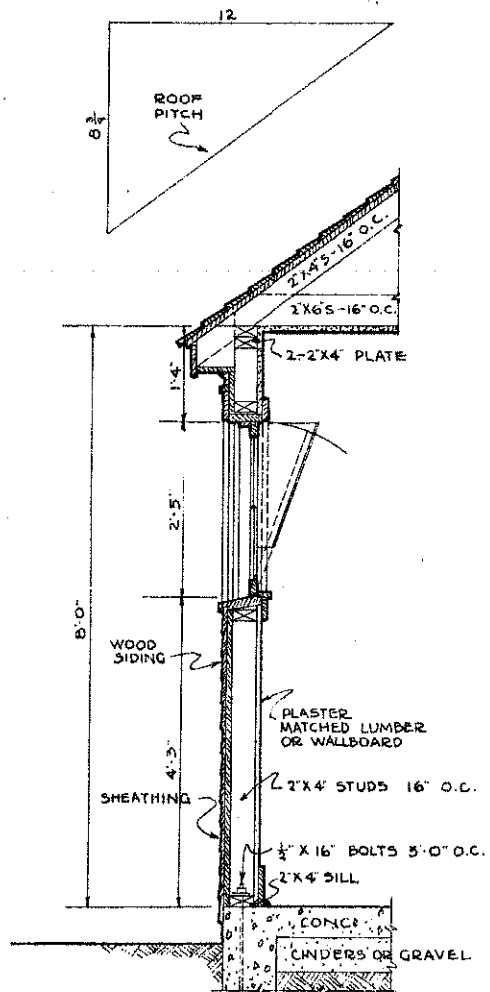


DETAILS OF
WINDOW NO. 1
SCALE $\frac{1}{2}'' = 1'-0''$



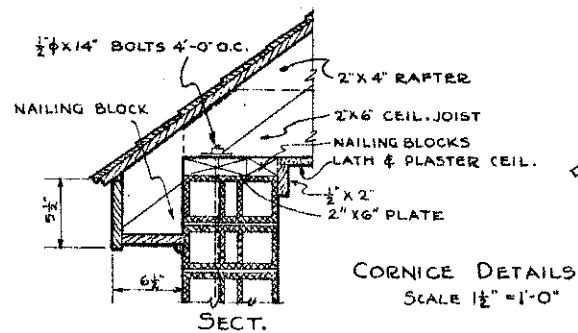
REFRIGERATOR DOOR DETAILS

DOORS CONSTRUCTED IN ACCORDANCE WITH THE ABOVE DETAILS WILL PROVE SATISFACTORY HOWEVER COMMERCIAL INSULATED DOORS OF SIMILAR DESIGN ARE RECOMMENDED.

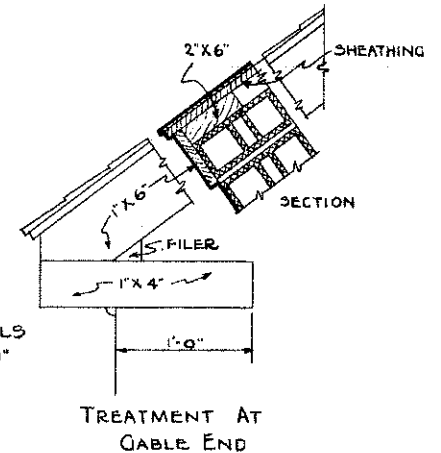


ALTERNATE WALL CONSTRUCTION
(WOOD FRAME)
SCALE $\frac{3}{4}$ " = 1'-0"

DETAILS NOT SHOWN TO BE
SIMILAR TO THOSE SHOWN
FOR MASONRY CONSTRUCTION



CORNICE DETAILS
SCALE $\frac{1}{2}$ " = 1'-0"



TREATMENT AT
GABLE END