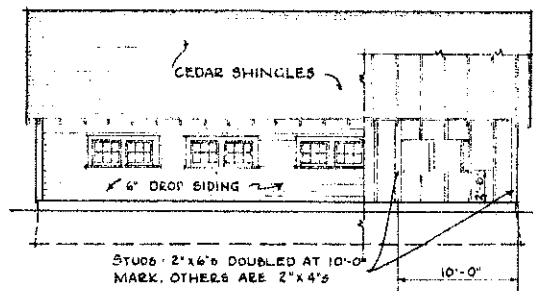
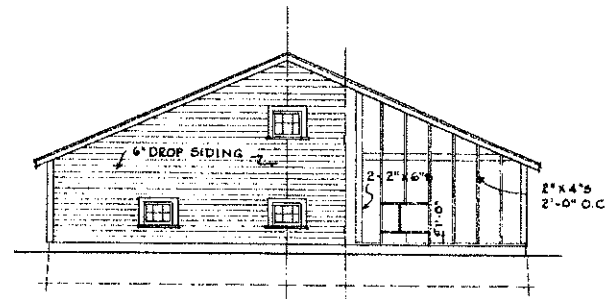


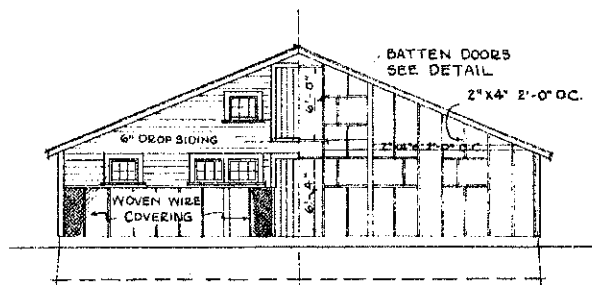
FLOOR PLAN
SCALE 1/8" = 1'-0"



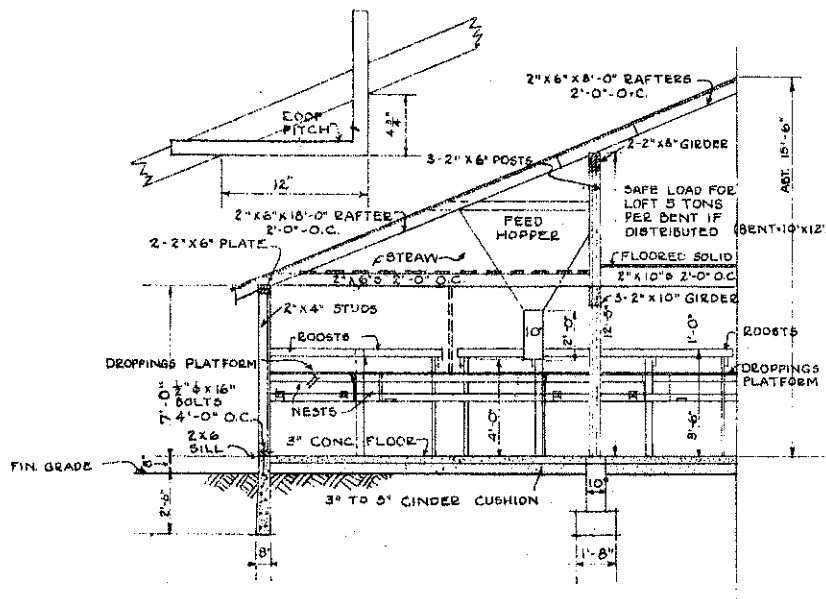
EAST & WEST ELEVATION
SCALE 1/8" = 1'-0"



NORTH ELEVATION
SCALE 1/8" = 1'-0"



SOUTH ELEVATION
SCALE 1/8" = 1'-0"

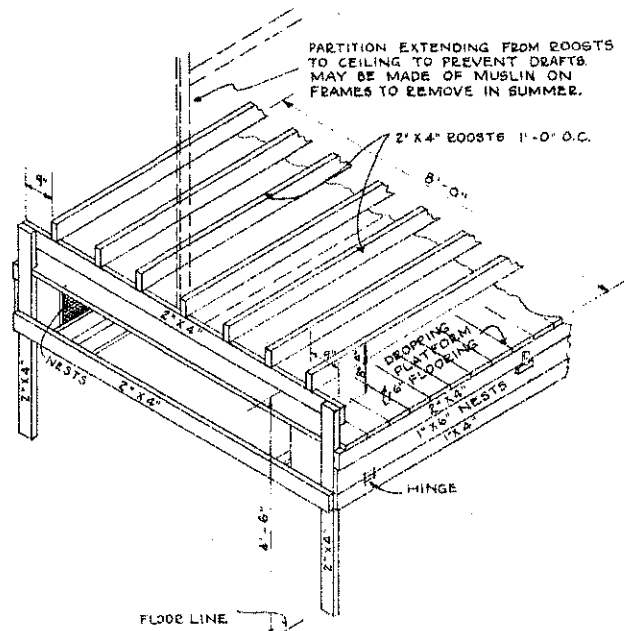


HALF SECTION
SCALE 1/8" = 1'-0"

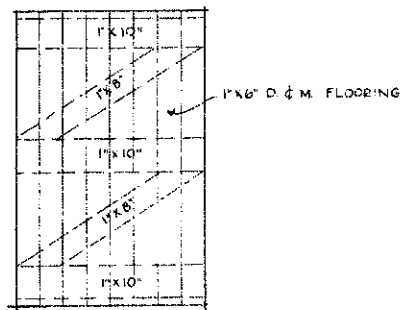
COOPERATIVE EXTENSION WORK IN
AGRICULTURE AND HOME ECONOMICS
STATE OF NORTH DAKOTA
NORTH DAKOTA AGRICULTURAL COLLEGE
AND
U. S. DEPT. OF AGRICULTURE COOPERATING
EXT. AGR'L. ENGINEER - FARGO, N. DAK.

MISSOURI POULTRY HOUSE

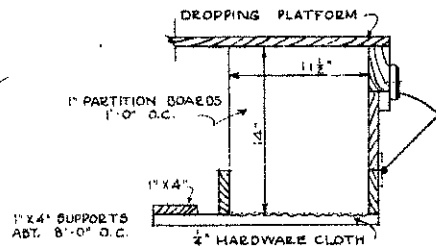
MIDWEST 22732-133 LX 5309 SHEET 1 OF 2



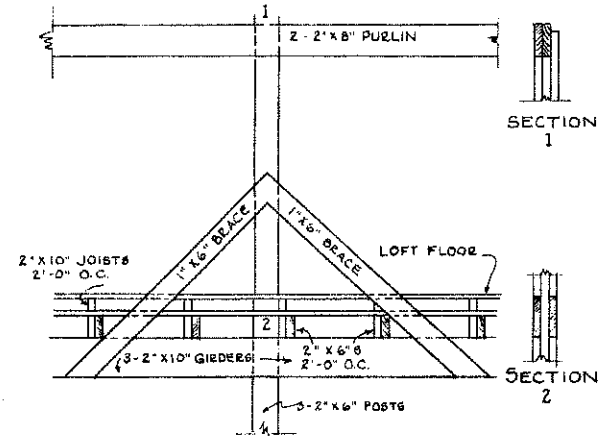
DETAIL OF ROOSTS & NESTS
SCALE 1/2" = 1'-0"



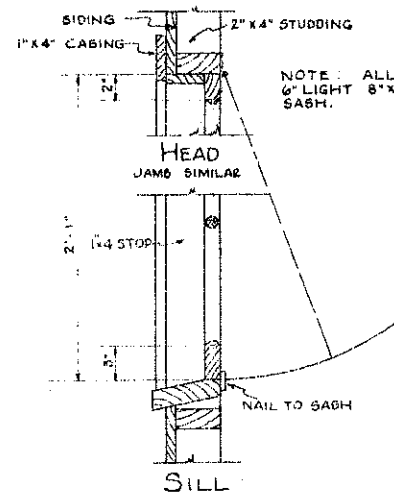
DOOR DETAIL
SCALE 1/2" = 1'-0"



SECTION THRU NESTS
SCALE 1 1/2" = 1'-0"



DETAIL OF POSTS AND CONNECTIONS AT LOFT ROOF & FLOOR
SCALE 1/2" = 1'-0"



TYPICAL WINDOW DETAIL
SCALE 1 1/2" = 1'-0"

COOPERATIVE EXTENSION WORK IN
AGRICULTURE AND HOME ECONOMICS
STATE OF NORTH DAKOTA
NORTH DAKOTA AGRICULTURAL COLLEGE
AND
U. S. DEPT. OF AGRICULTURE COOPERATING
EXT. AGR'L. ENGINEER - FARGO, N. DAK.

MISSOURI POULTRY HOUSE

MIDWEST 72732-33 EX. 5310 SHEET 2 OF 2