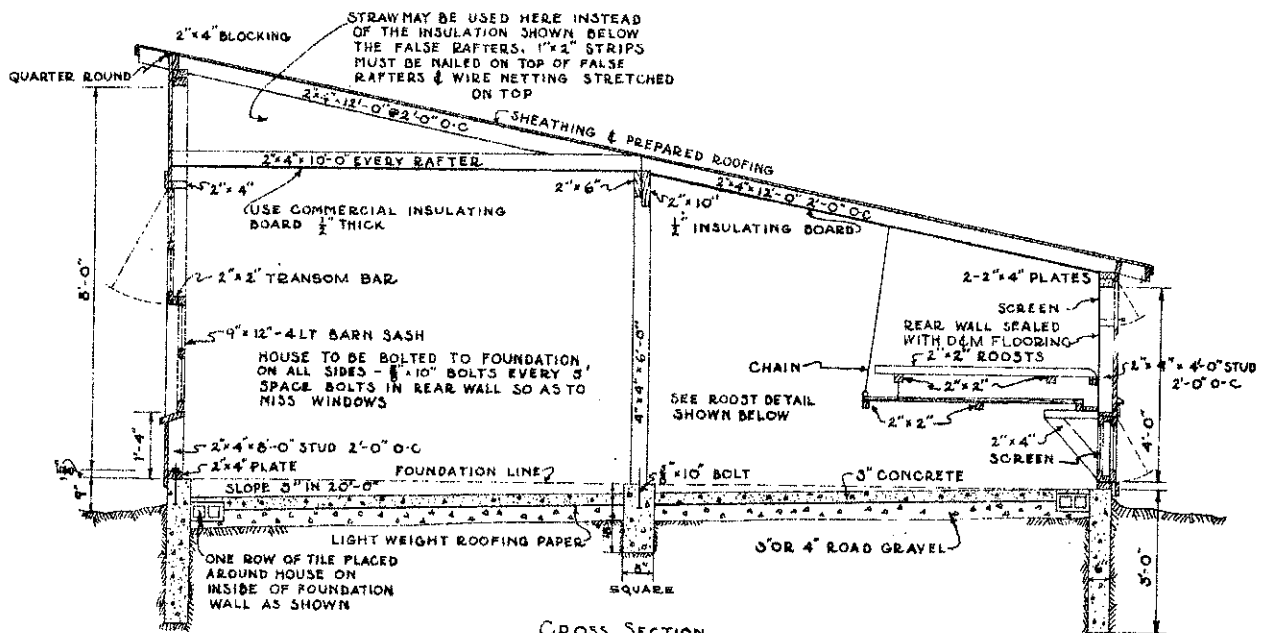
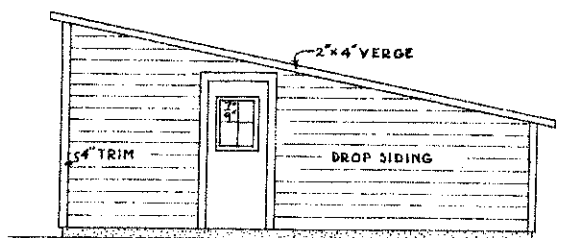


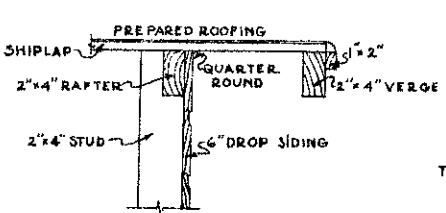
FLOOR PLAN  
SCALE 1/4" = 1'-0"



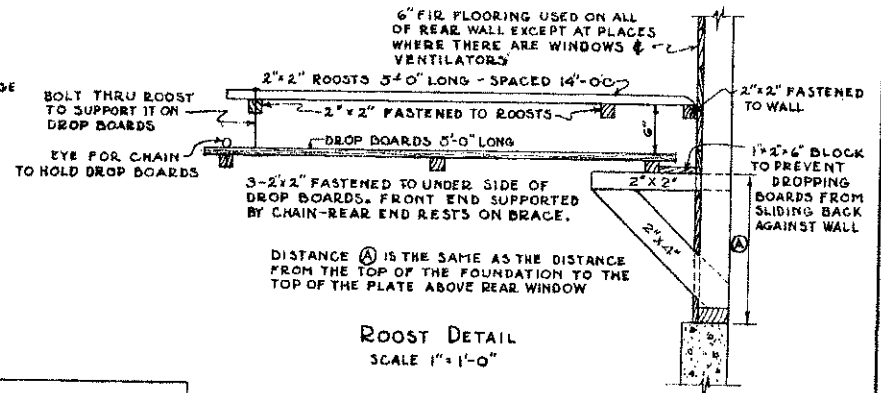
CROSS SECTION  
SCALE 1/4" = 1'-0"



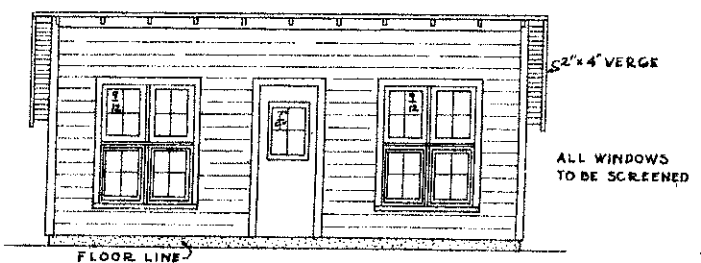
EAST ELEVATION  
SCALE 1/4" = 1'-0"



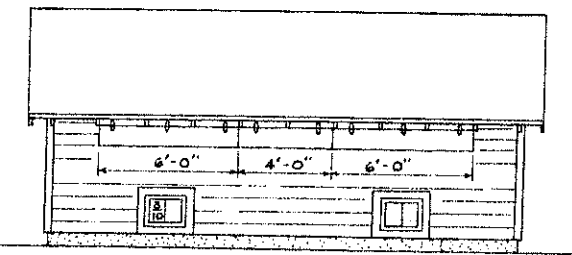
DETAIL OF EAVES  
SCALE 1/2" = 1'-0"



ROOST DETAIL  
SCALE 1" = 1'-0"

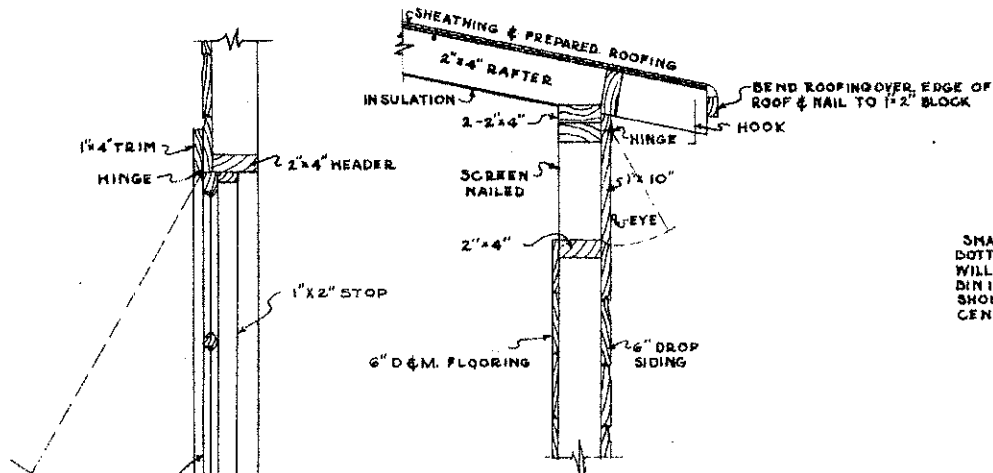


SOUTH ELEVATION  
SCALE 1/4" = 1'-0"

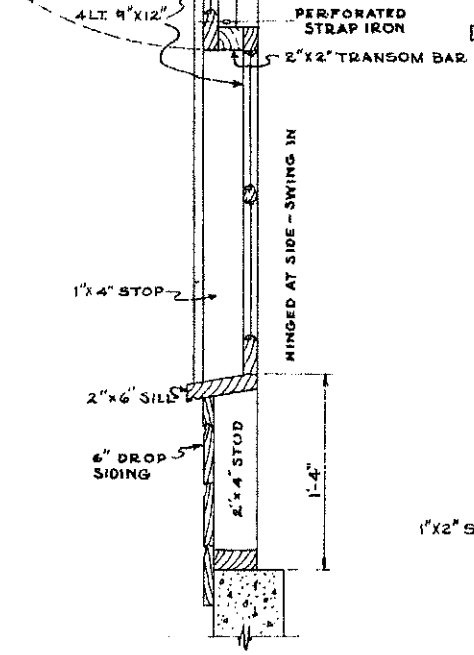


NORTH ELEVATION  
SCALE 1/4" = 1'-0"

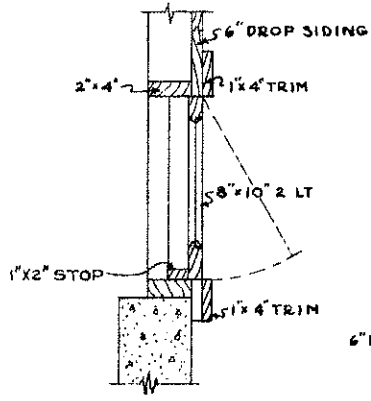
COOPERATIVE EXTENSION WORK IN  
AGRICULTURE AND HOME ECONOMICS  
STATE OF NORTH DAKOTA  
NORTH DAKOTA AGRICULTURAL COLLEGE  
AND  
U.S. DEPT. OF AGRICULTURE COOPERATING  
EXT. AGRI. ENGINEER- FARGO, N. DAK.  
**SHED ROOF POULTRY HOUSE**  
REVISED 12-7-23 12 X 5 103 SHEET TOP 2



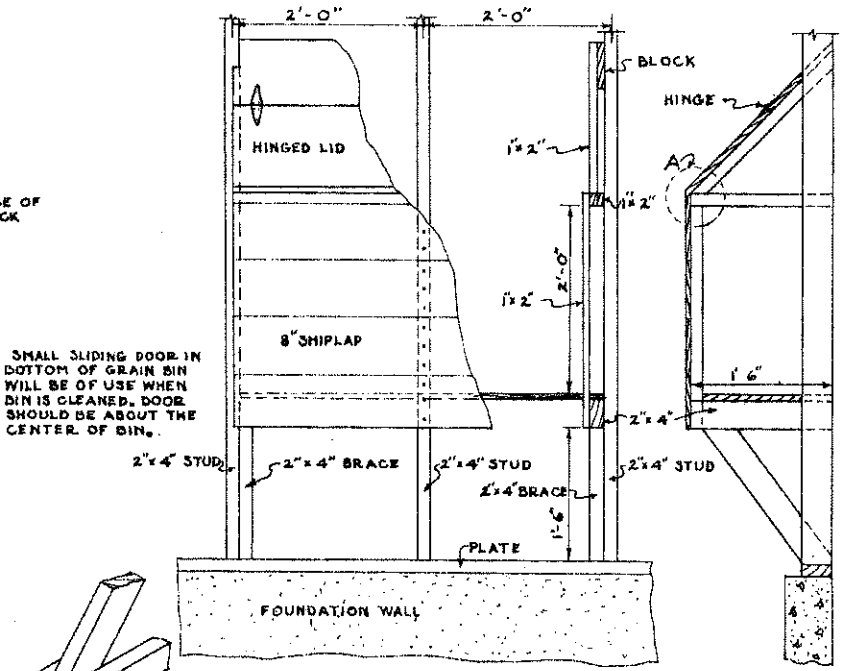
DETAIL REAR VENTILATOR  
SCALE 1 1/2" = 1'-0"



CROSS SECTION THRU FRONT WINDOWS  
SCALE 1 1/2" = 1'-0"

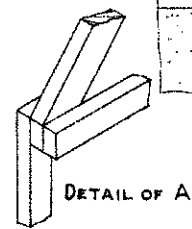


DETAIL REAR WINDOW  
SCALE 1 1/2" = 1'-0"

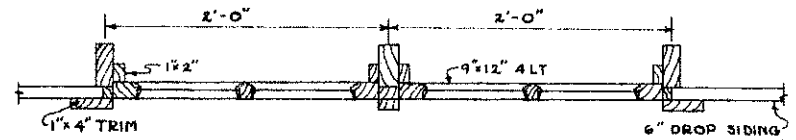


SMALL SLIDING DOOR IN BOTTOM OF GRAIN BIN WILL BE OF USE WHEN BIN IS CLEANED. DOOR SHOULD BE ABOUT THE CENTER OF BIN.

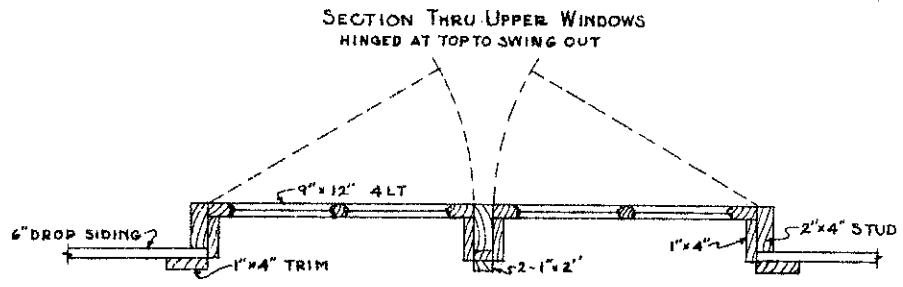
GRAIN BIN  
SCALE 1" = 1'-0"



DETAIL OF A



SECTION THRU UPPER WINDOWS  
HINGED AT TOP TO SWING OUT



SECTION THRU LOWER WINDOWS  
HINGED AT SIDE TO SWING IN  
SCALE 1 1/2" = 1'-0"

COOPERATIVE EXTENSION WORK IN  
AGRICULTURE AND HOME ECONOMICS  
STATE OF NORTH DAKOTA  
NORTH DAKOTA AGRICULTURAL COLLEGE  
AND  
U. S. DEPT. OF AGRICULTURE COOPERATING  
EXT. AGR'L ENGINEER-FARGO, N.DAK.  
SHED ROOF POULTRY HOUSE  
MIDWEST 727-2-53 EX. 5324 1934