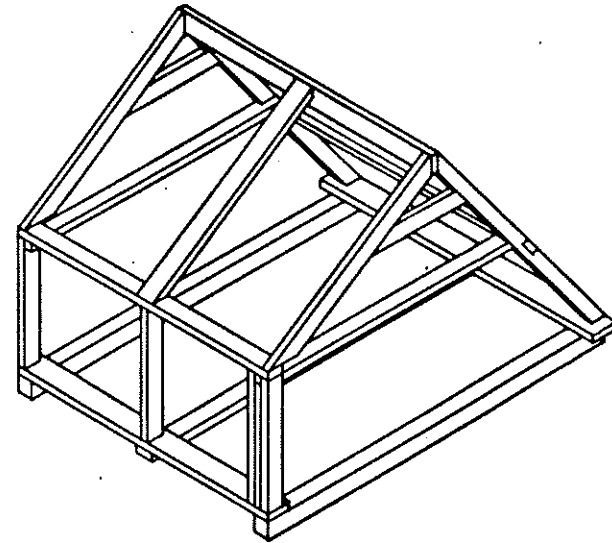
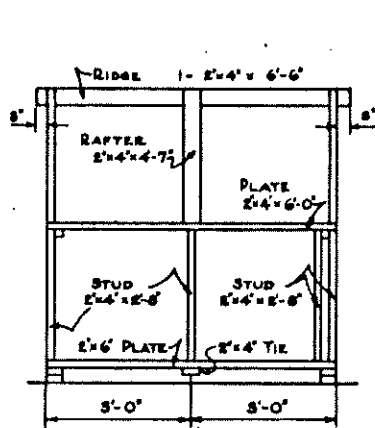


· PERSPECTIVE ·

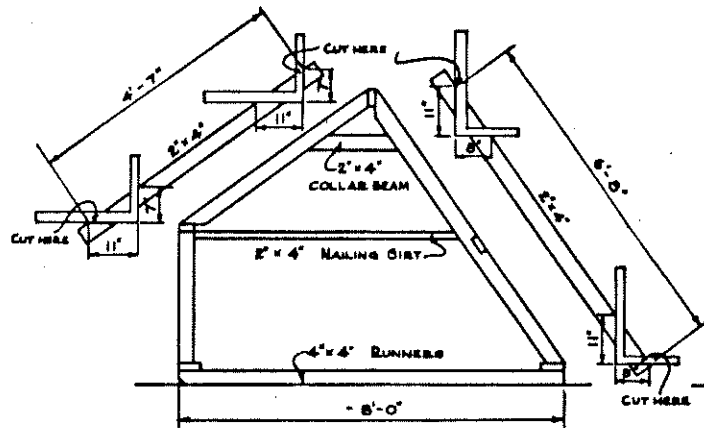


· ISOMETRIC · VIEW · OF · FRAMING ·

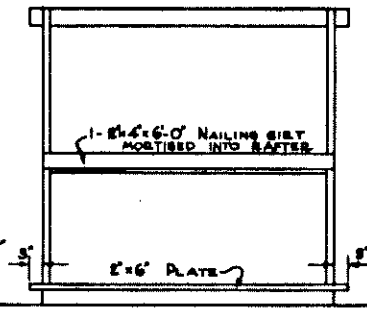
NOTE:
SIZE SHOULD BE INCREASED TO 8" X 8" FOR LARGER SOWS. USE 4 RAFTERS & 4 STUDS ON FRONT & 2 TIES UNDER FLOOR.



· FRONT · ELEVATION ·

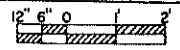


· SIDE · ELEVATION · & · RAFTER · CUTS ·



· REAR · ELEVATION ·

· D E T A I L S · O F · F R A M I N G ·



· MATERIAL · LIST ·

No	SIZE	PURPOSE
2	4" x 4" x 8'-0"	RUNNERS
1	2" x 6" x 6'-0"	FRONT SILL
1	2" x 6" x 6'-6"	REAR SILL
1	2" x 4" x 6'-6"	RIDGE
4	2" x 4" x 6'-0"	PLATE & GIRD
4	2" x 4" x 8'-8"	STUDS
1	2" x 4" x 8'-0"	FL. BRACE
2	2" x 4" x 6'-0"	BACK RAFTERS
3	2" x 4" x 4'-7"	FRONT RAFTERS
2	2" x 4" x 1'-10"	COLLAR BEAM
15	1" x 6" x 12'-0"	ROOF
14	1" x 6" x 8'-0"	SOWS (front)
9	1" x 6" x 12'-0"	· (END)
7	1" x 6" x 10'-0"	· (·)
7	1" x 6" x 8'-0"	· (·)
11	1" x 10" x 6'-0"	FLOOR
2	1" x 4" x 10'-0"	DOOR CLEATS

- 1 PAIR 6" T-MINERS
- 1 " 8" T- "
- 1 HARP WITH SCREENS
- 3 lbs. 16d NAILS
- 2 " 6d "
- 3 " 8d "

COOPERATIVE EXTENSION WORK IN
AGRICULTURE AND HOME ECONOMICS

AND
U. S. DEPT. OF AGRICULTURE COOPERATING

MODIFIED "A" TYPE HOG HOUSE

M. W. Ex 5272 SHEET 1 OF 1