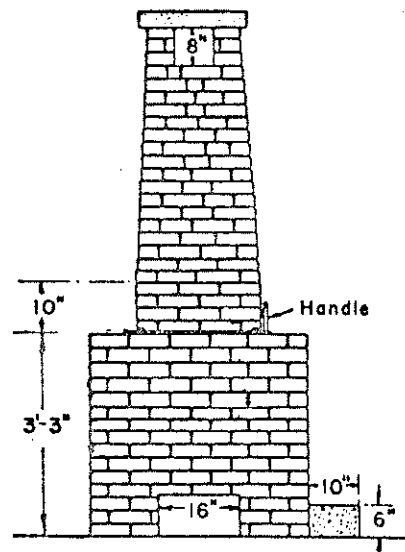
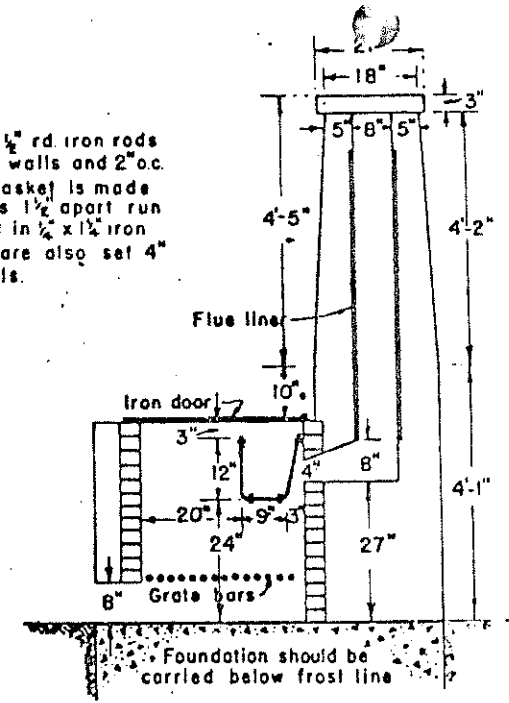


SIDE ELEVATION

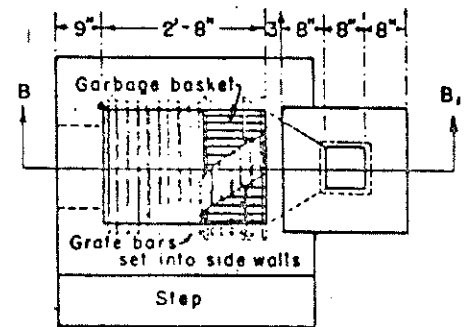


FRONT ELEVATION

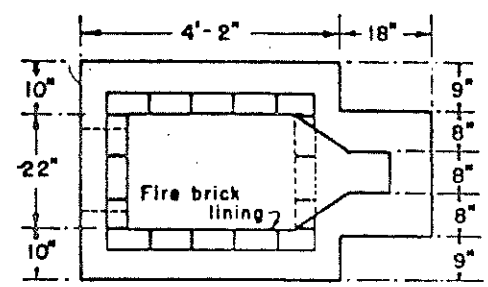


SECTION B-B<sub>1</sub>

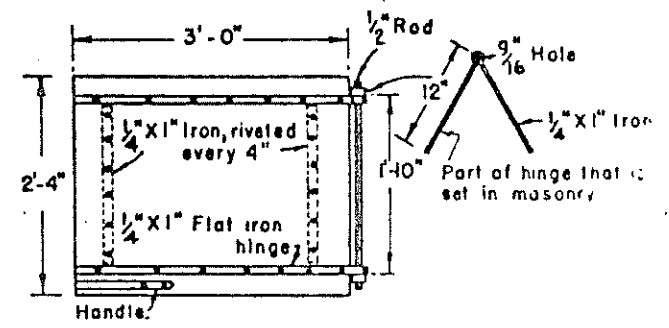
Grate bars are  $\frac{1}{2}$ " rd. iron rods set 4" into the side walls and 2" o.c.  
 The garbage basket is made of  $\frac{5}{8}$ " rd. iron rods  $1\frac{1}{2}$ " apart run thru holes drilled in  $\frac{1}{4}$ " x  $1\frac{1}{2}$ " iron bars. These bars are also set 4" into the side walls.



PLAN



SECTION A-A<sub>1</sub>  
 Showing chimney throat



IRON DOOR

|   |     |                       |
|---|-----|-----------------------|
| COOPERATIVE EXTENSION WORK IN<br>AGRICULTURE AND HOME ECONOMICS |     |                       |
| UNITED STATES DEPARTMENT OF AGRICULTURE COOPERATING             |     |                       |
| INCINERATOR   |     |                       |
| N.Y.  | '48 | EX. 5198 SHEET 1 OF 1 |