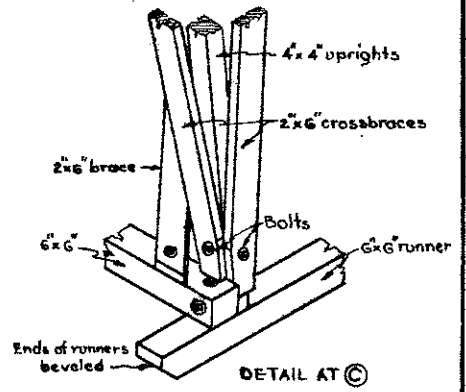


- BILL OF MATERIALS**
- 1- Mast 55'-0" long average diameter 7 1/2"
 - 1- Boom 24'-0" " 5"
 - 6- 6x6x12'-0" runners and base members
 - 2- 6x6x2'-6" side pieces of collar
 - 2- 6x6x10" blocks
 - 1- 6x6x8" oak or other hardwood block
 - 2- 4x6x3'-6" fork
 - 4- 4x4x14'-0" uprights
 - 8- 2x6x14'-0" crossbraces
 - 4- 2x6x7'-0" base braces
 - 2- 2x6x18" blocks
 - 2- 2x6x12" "

- HARDWARE**
- 2- 3/4x2'-4" bolts, uprights at collar.
 - 1- 3/4x18" " fork.
 - 4- 3/8x18" " 2 of fork, 2 at base of mast.
 - 8- 3/8x14" " runners.
 - 4- 3/8x15" " bottom of uprights.
 - 4- 3/8x15" " base near mast.
 - 4- 3/8x10" " base braces.
 - 16- 3/8x8" " crossbraces top and bottom.
 - 2- 3/8x6" Eye bolts.
 - 1- 3/8x3" Collar, top of mast.
 - 1- 1x14" Steel pin " "
 - 3- 3/8x5" 3/8" Guy plates " "
 - 6- 3/4 O.O. washers
 - 60- 3/8 " "



U.S. DEPARTMENT OF AGRICULTURE		
BUREAU OF PUBLIC ROADS		
DIVISION OF AGRICULTURAL ENGINEERING		
HAY STACKER		
APPROVED S. H. McCORDY		SHEET 1 OF 3 SHEETS
17		SUBJECT NO SERIAL NO
2086		